

# FITMENT INSTRUCTIONS

**Alu-Cab**<sup>TM</sup>



## **DODGE RAM 1500S SB & LB ALU-CABIN [2009-2018]**

All rights reserved. No part of this document may be reproduced, translated, stored in a retrieval system, or transmitted, in any form or by any means, electronic, mechanical, photocopying, recording or otherwise, without prior written permission of the owner.

Review all instructions information carefully before installation.

Any damages, direct or incidental to the installer and/or property due to incorrect installation of any parts are the responsibility of the installer. Due to the various applications and fitment options available, the responsibility lies with the user to ensure all mounting points are secure and tight before every trip. If unsure, consult with your Distributor regarding the operations of our products.

Users are advised to be mindful of the load they are carrying and drive in accordance with road conditions.

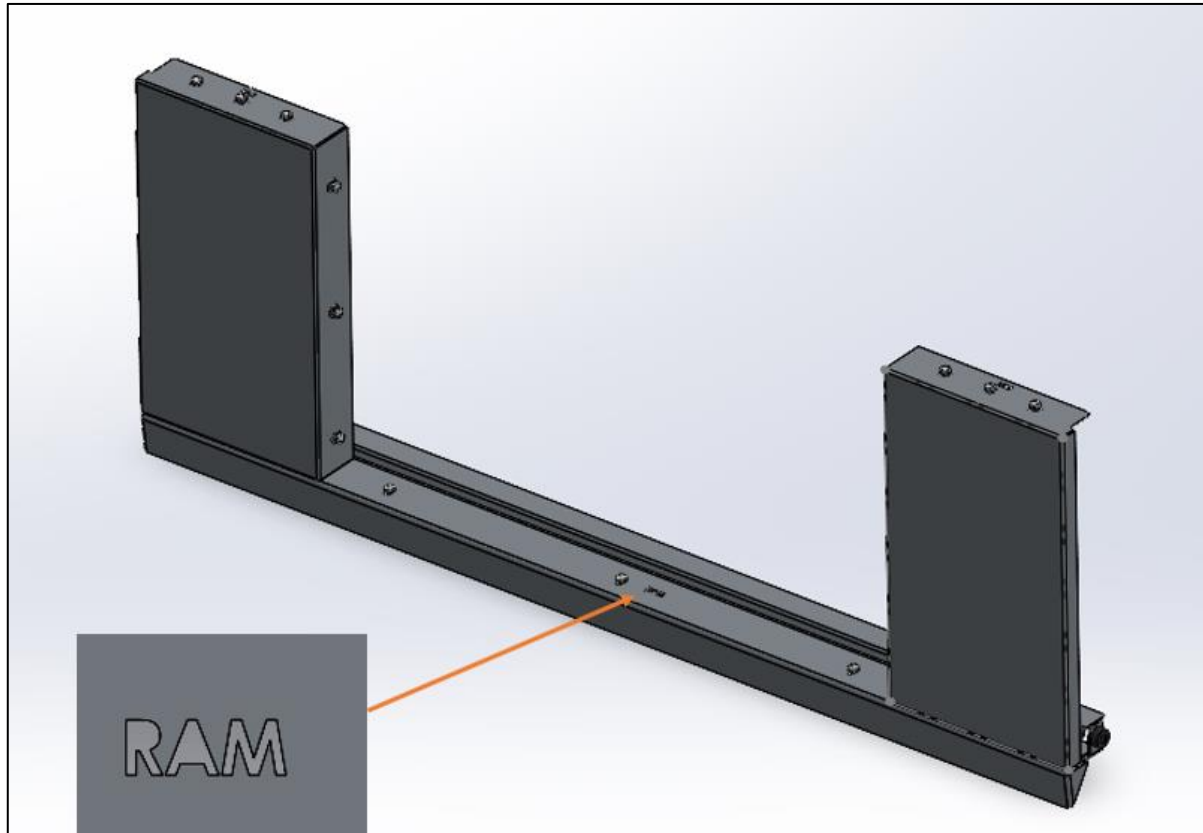
**DISCLAIMER**

**Alu-Cab**

# Mounting & Filler Kit - Component Identification

<table border="1"> <tr> <td>FINISH</td> <td>ASSEMBLY</td> <td colspan="11">                 MASS FINISH: TRUSS                  BONDING: Y                  PAINTING: Y                  ANODIZING: Y                  TUMBLING: Y                  BRUSHING: Y                  POLISHING: Y                  PAINTS: Y                  COLOUR: N/A             </td> </tr> </table>													FINISH	ASSEMBLY	MASS FINISH: TRUSS BONDING: Y PAINTING: Y ANODIZING: Y TUMBLING: Y BRUSHING: Y POLISHING: Y PAINTS: Y COLOUR: N/A																	
FINISH	ASSEMBLY	MASS FINISH: TRUSS BONDING: Y PAINTING: Y ANODIZING: Y TUMBLING: Y BRUSHING: Y POLISHING: Y PAINTS: Y COLOUR: N/A																														
<table border="1"> <thead> <tr> <th>ITEM NO.</th> <th>PART NUMBER</th> <th>DESCRIPTION</th> <th>QTY</th> </tr> </thead> <tbody> <tr> <td>1</td> <td>105-RAM-FNT-FILLER KIT-01</td> <td>FRONT FILLER KIT</td> <td>1</td> </tr> <tr> <td>2</td> <td>105-RAM-RER-FILLER KIT-ASSY-01</td> <td>RAM REAR FILLER KIT</td> <td>1</td> </tr> <tr> <td>3</td> <td>105-RAM-MNT-KIT-ASSY-01</td> <td>MOUNTING ASSEMBLY</td> <td>1</td> </tr> <tr> <td>4</td> <td>BX-COFFK</td> <td>CANOPY CAMPER FILLER KIT BOX-720X1600X1700</td> <td>1</td> </tr> </tbody> </table>													ITEM NO.	PART NUMBER	DESCRIPTION	QTY	1	105-RAM-FNT-FILLER KIT-01	FRONT FILLER KIT	1	2	105-RAM-RER-FILLER KIT-ASSY-01	RAM REAR FILLER KIT	1	3	105-RAM-MNT-KIT-ASSY-01	MOUNTING ASSEMBLY	1	4	BX-COFFK	CANOPY CAMPER FILLER KIT BOX-720X1600X1700	1
ITEM NO.	PART NUMBER	DESCRIPTION	QTY																													
1	105-RAM-FNT-FILLER KIT-01	FRONT FILLER KIT	1																													
2	105-RAM-RER-FILLER KIT-ASSY-01	RAM REAR FILLER KIT	1																													
3	105-RAM-MNT-KIT-ASSY-01	MOUNTING ASSEMBLY	1																													
4	BX-COFFK	CANOPY CAMPER FILLER KIT BOX-720X1600X1700	1																													
<table border="1"> <tr> <td colspan="2">                 TOLERANCES TO ASSUME                  UNLESS INDICATED OTHERWISE             </td> <td colspan="2">                 SHEET                  A3                  SCALE                  1:10                  DRAWING NO.                  CC-FK-RAM             </td> </tr> <tr> <td>                 DIMENSION (mm) TOLERANCE                  0.00 - 0.00 ± 0.15                  0.00 - 0.00 ± 0.20                  0.00 - 0.00 ± 0.30                  0.00 - 0.00 ± 0.50                  0.00 - 0.00 ± 1.00                  1000 - 1000 ± 1.00             </td> <td colspan="2">                 PROJECT:                  165 - M &amp; F KIT - RAM 1500 FS                  DRAWN BY:                  CHRIS B ROSE                  DATE:                  2021-08-26             </td> <td>                 SHEET                  1 of 4             </td> </tr> <tr> <td colspan="3">                 REVISIONS             </td> <td>                 APPROVED                  Signature                  Administrator             </td> </tr> <tr> <td colspan="3">                 REV. DESCRIPTION                  00 RELEASED FOR PRODUCTION             </td> <td>                 DATE                  2021-11-09             </td> </tr> </table>													TOLERANCES TO ASSUME UNLESS INDICATED OTHERWISE		SHEET A3 SCALE 1:10 DRAWING NO. CC-FK-RAM		DIMENSION (mm) TOLERANCE 0.00 - 0.00 ± 0.15 0.00 - 0.00 ± 0.20 0.00 - 0.00 ± 0.30 0.00 - 0.00 ± 0.50 0.00 - 0.00 ± 1.00 1000 - 1000 ± 1.00	PROJECT: 165 - M & F KIT - RAM 1500 FS DRAWN BY: CHRIS B ROSE DATE: 2021-08-26		SHEET 1 of 4	REVISIONS			APPROVED Signature Administrator	REV. DESCRIPTION 00 RELEASED FOR PRODUCTION			DATE 2021-11-09				
TOLERANCES TO ASSUME UNLESS INDICATED OTHERWISE		SHEET A3 SCALE 1:10 DRAWING NO. CC-FK-RAM																														
DIMENSION (mm) TOLERANCE 0.00 - 0.00 ± 0.15 0.00 - 0.00 ± 0.20 0.00 - 0.00 ± 0.30 0.00 - 0.00 ± 0.50 0.00 - 0.00 ± 1.00 1000 - 1000 ± 1.00	PROJECT: 165 - M & F KIT - RAM 1500 FS DRAWN BY: CHRIS B ROSE DATE: 2021-08-26		SHEET 1 of 4																													
REVISIONS			APPROVED Signature Administrator																													
REV. DESCRIPTION 00 RELEASED FOR PRODUCTION			DATE 2021-11-09																													

## Rear Filler Kit - Component Identification



The Rear Filler Assembly is made up of three main sheet metal parts, the inside boxes as well as the bottom filler bar.

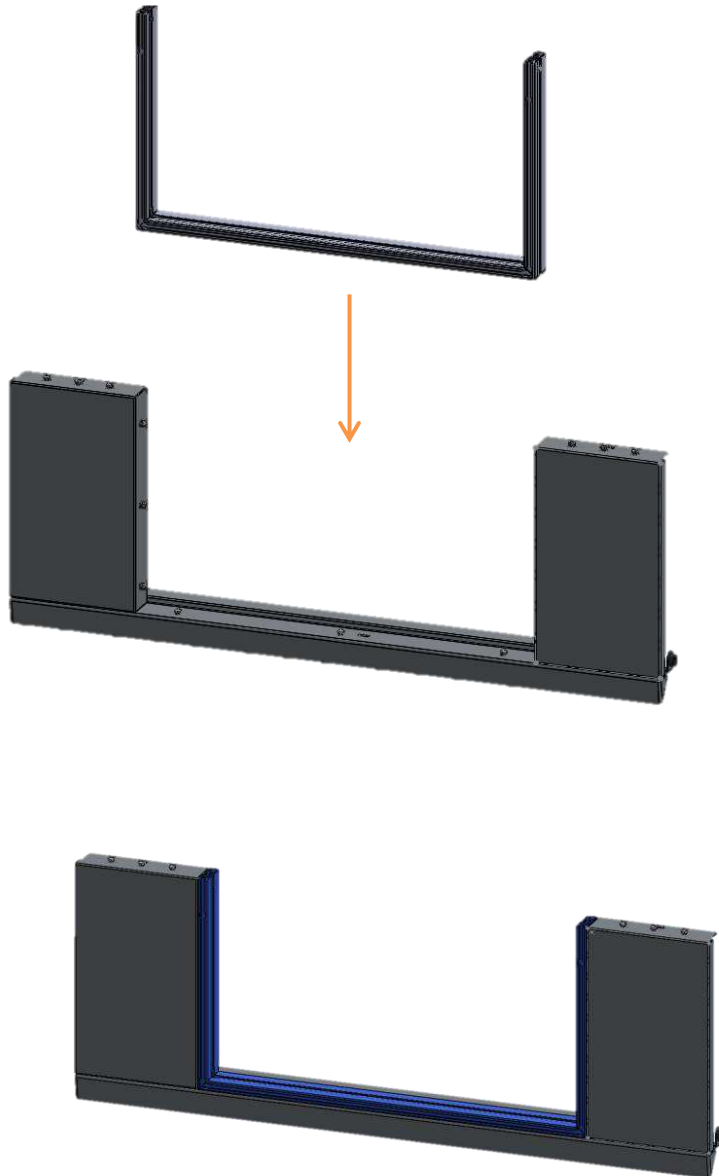


### **WARNING**

Always wear appropriate PPE ( Personal protection equipment) when fitting this product. Although the mounting kit is designed to be DIY, if you have any doubts or concerns, contact an accredited fitment centre to carry out the work. Alu-Cab will not be liable for any injury to persons, and/or damage to products and/or vehicles.

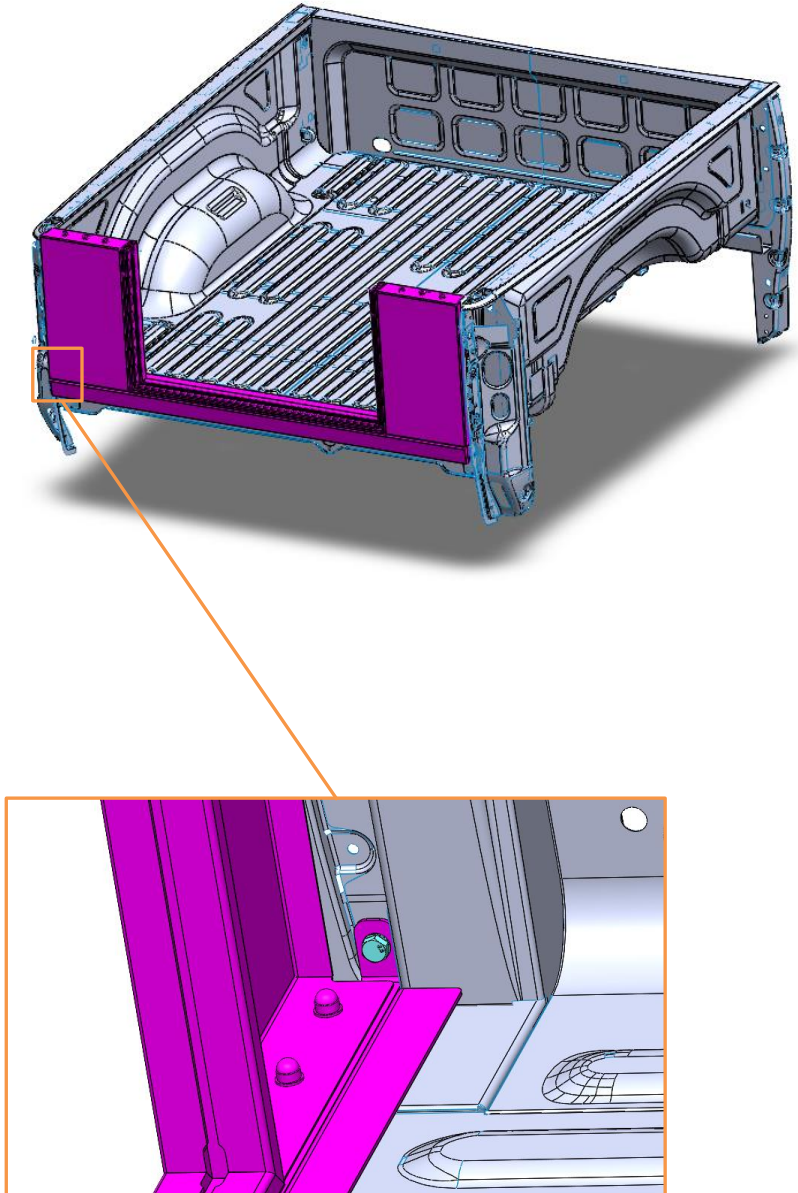
## Rear Filler Kit - Assembly

Fit the lower door frame, supplied with the Canopy Camper base unit, into the Rear Filler assembly, and tighten the factory fitted fasteners, as below:



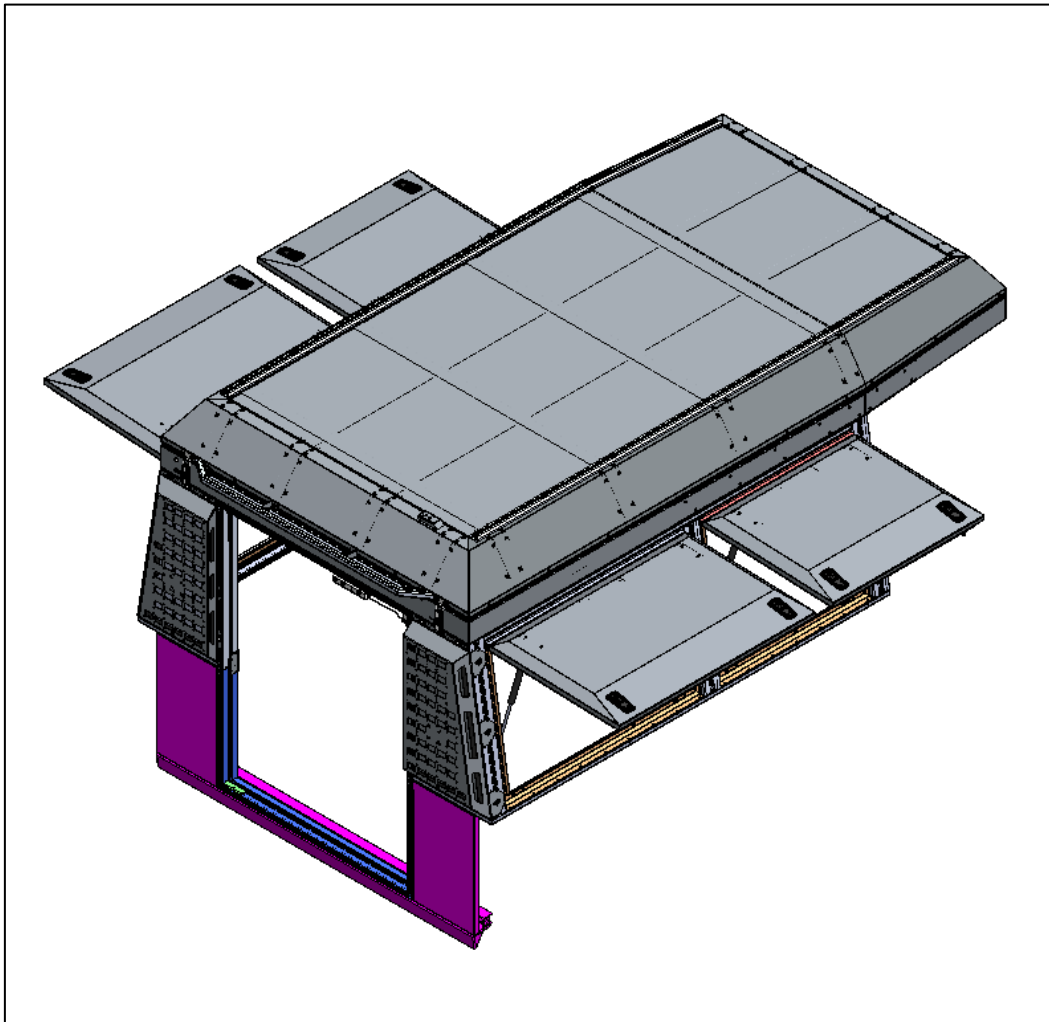
## Rear Filler Kit - Installation

Remove the tailgate, and fit the Rear Filler Assembly (with the Lower Door Frame fitted):



## Canopy Camper Base Unit - Installation & Assembly

### Seating the Base Unit

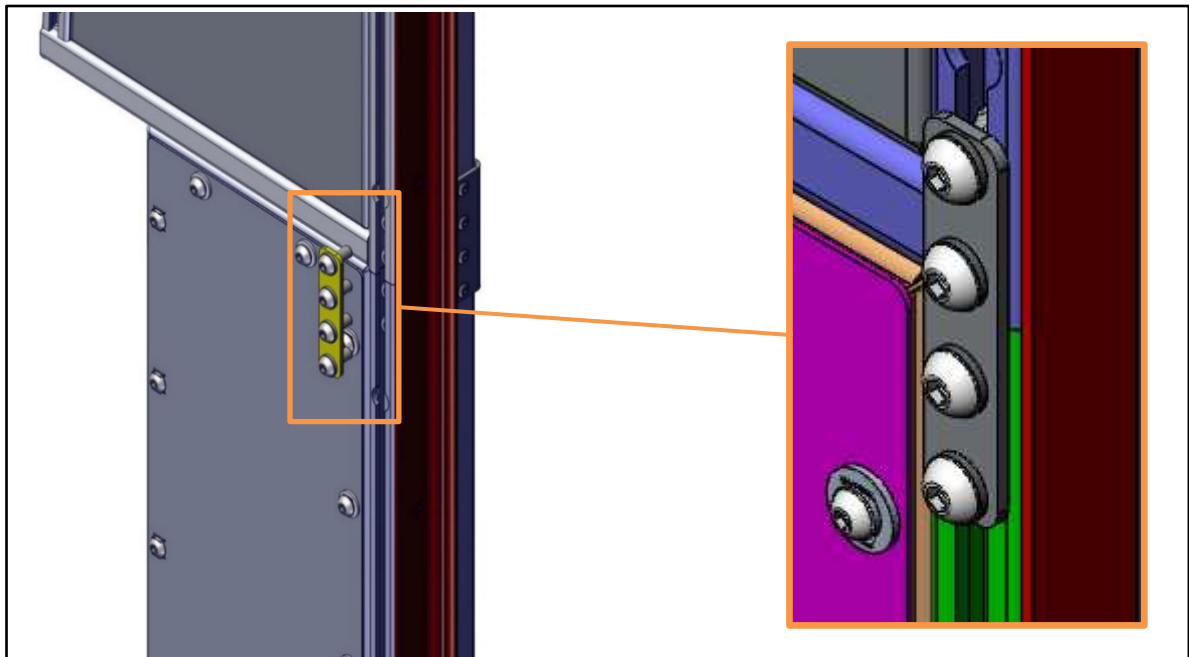


Attach the gasket material to the lower seating surface of the Canopy Camper's base frame - Refer to the stand alone Fitment Instruction for this process.

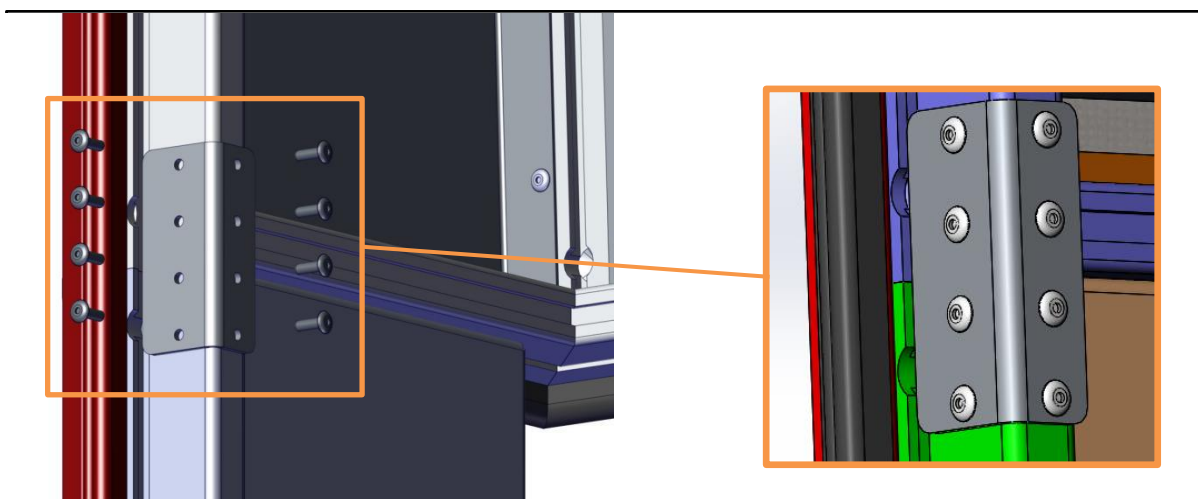
Lower the Canopy Camper Base Unit onto the already mounted Rear Filler Assembly, as shown in the image above, and align the lower and upper portions of the door frame.

## Base Unit to Rear Filler Assembly Connection

Using the supplied hardware, fasten the lower and upper door frames together, on each side of the **EXTERNAL** door opening. See images below:

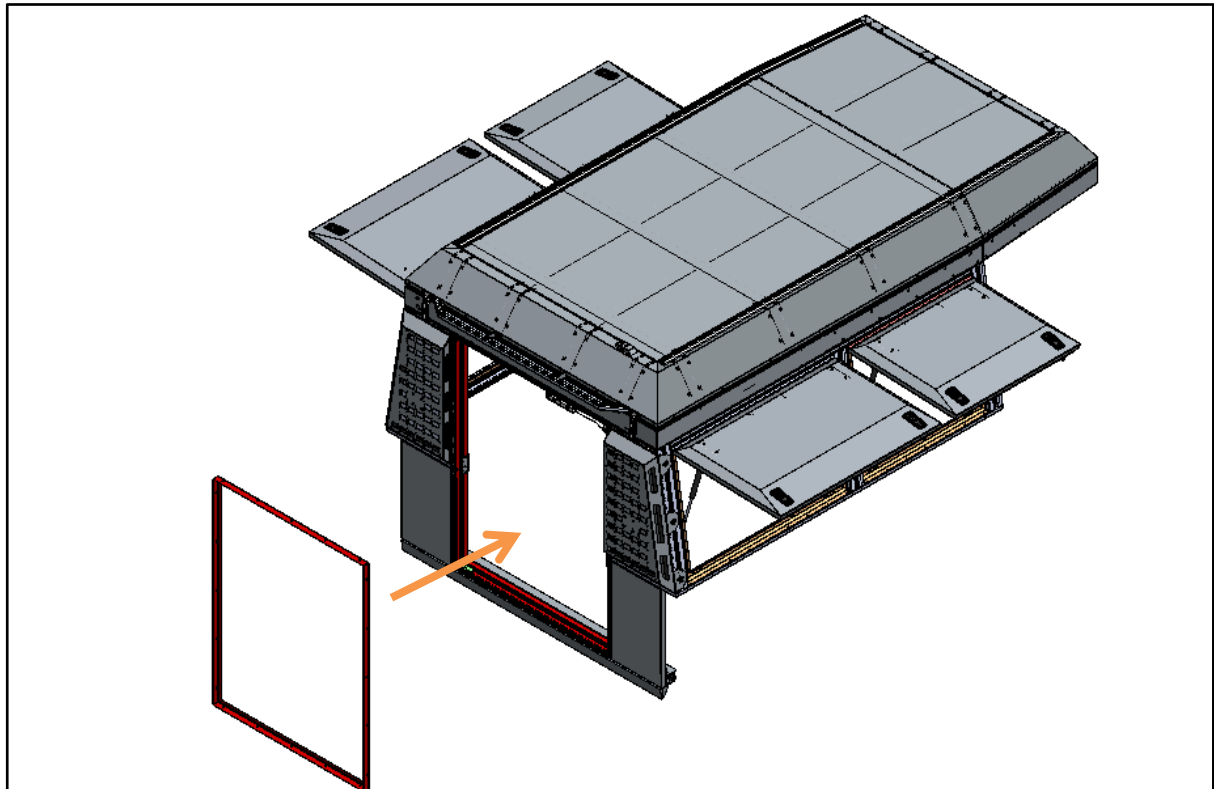


Using the supplied hardware, fasten the lower and upper door frames together, on each side of the **INTERNAL** door opening. See images below:



## Rear Door Rebate Installation

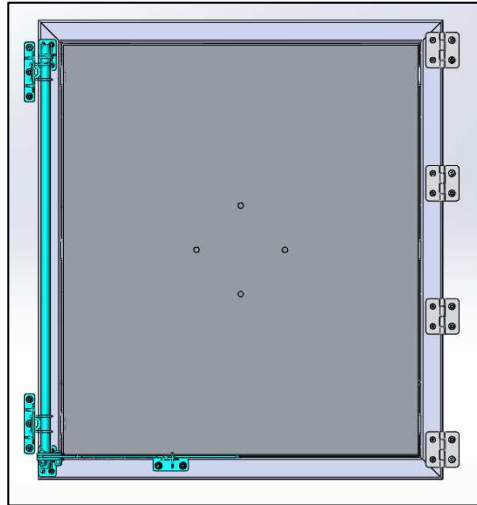
Insert the Rear Door Rebate Frame into the door frame opening, ensure that mounting holes all align. Using the supplied hardware, rivet the frame in place along the LHS, RHS and upper and lower mounting interfaces. See images below:





## Rear Door Installation

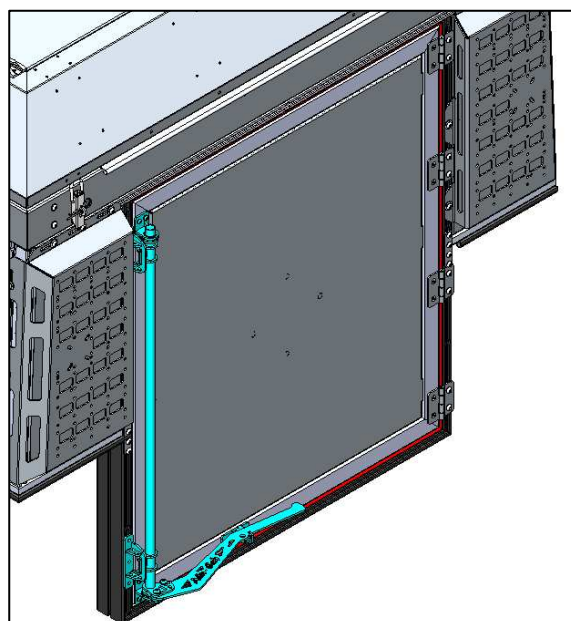
The Rear Door Assembly is supplied fully assembled with its hinges, and the locking mechanism, as shown below:



Insert the assembled door into the rear door opening. Fasten the four (4) hinges into the nut slot on the RHS door frame first, using the supplied hardware.

Align the two (2) locking mechanism Hook Brackets with the upper and lower lock tabs and fasten into the nut slot on the LHS frame, using the supplied hardware.

Installed Rear Door shown below (rear Filler Assembly removed for clarity):





# Mounting Bracket Kit - Installation

## Front Mounting Brackets

Some models of the Dodge RAM come with protective Bed Caps. In some instances when the access hole to the stake pocket is blocked by the Bed Caps it is necessary to completely remove the bed cap before fitting the front mounting brackets.



REMOVE BED CAPS

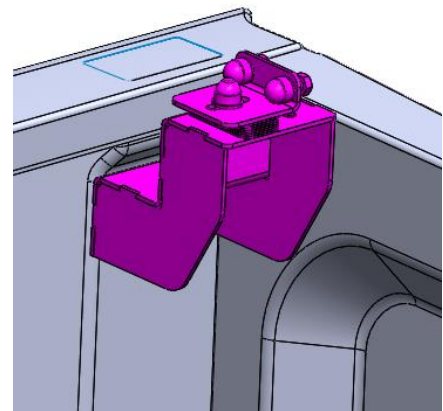
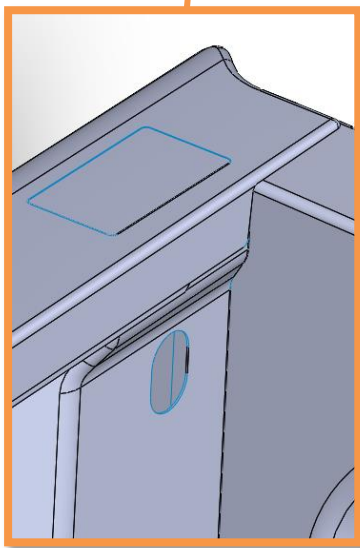
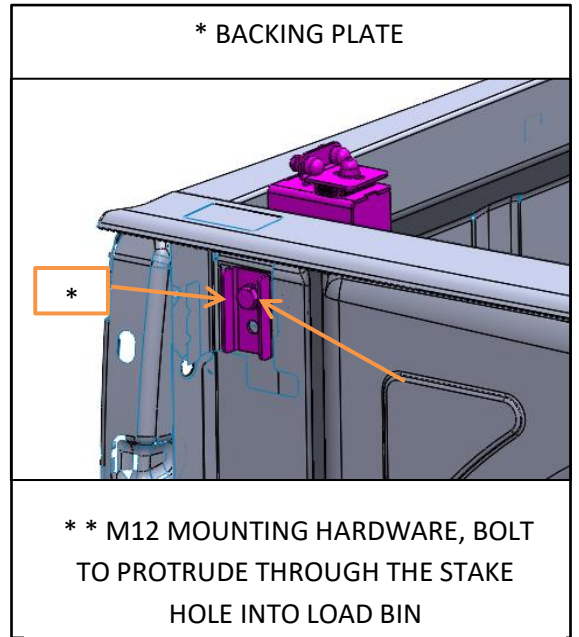
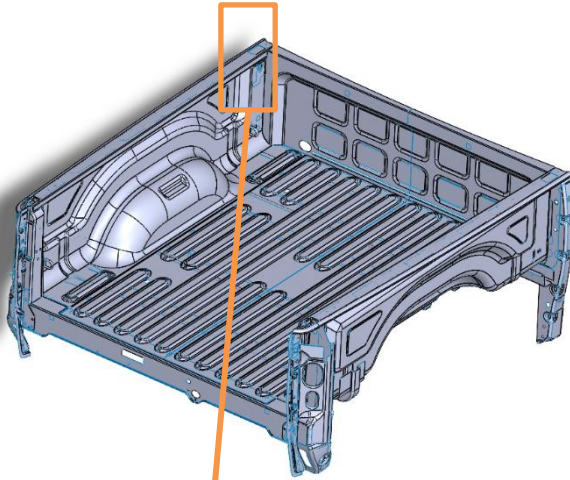
With the bed cap removed it is possible to access the stake pocket.



BED CAP THAT ALLOWS ACCESS TO STAKE POCKET

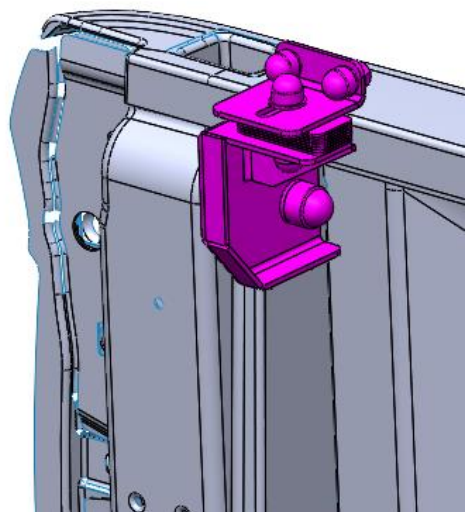
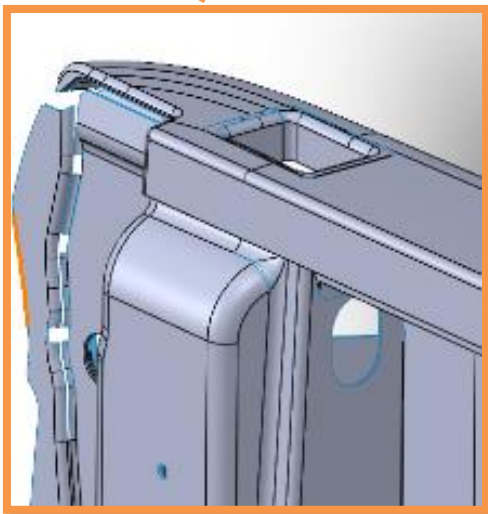
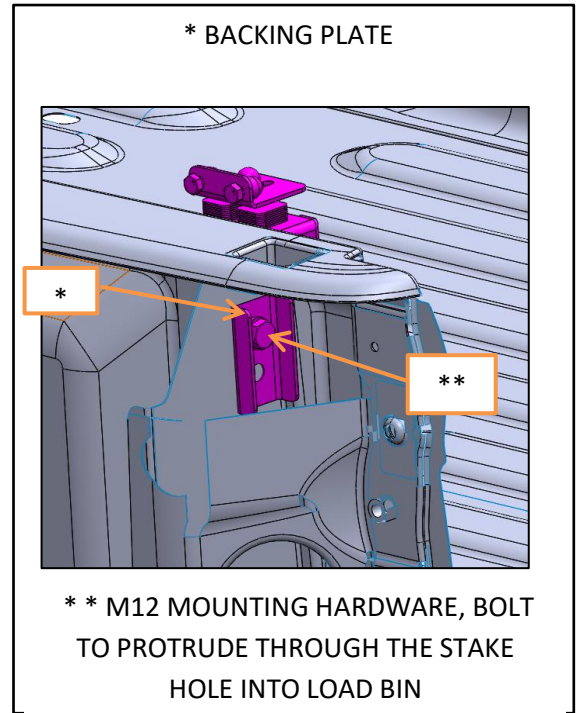
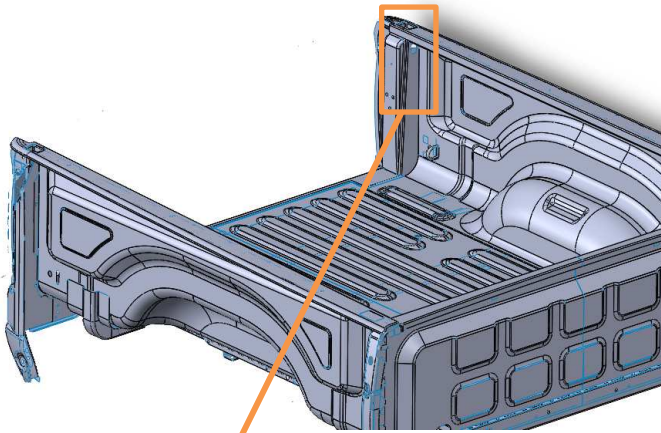
<table border="1"> <tr> <td>FINISH</td> <td>ASSTY INFO</td> </tr> <tr> <td>MASS FINISH</td> <td>FASTENER: Y</td> </tr> <tr> <td>WELDED</td> <td></td> </tr> <tr> <td>BRUSHED</td> <td></td> </tr> <tr> <td>POLYMER</td> <td></td> </tr> <tr> <td>PAINT</td> <td></td> </tr> <tr> <td>COLOR:</td> <td>NA</td> </tr> </table>													FINISH	ASSTY INFO	MASS FINISH	FASTENER: Y	WELDED		BRUSHED		POLYMER		PAINT		COLOR:	NA																																														
FINISH	ASSTY INFO																																																																							
MASS FINISH	FASTENER: Y																																																																							
WELDED																																																																								
BRUSHED																																																																								
POLYMER																																																																								
PAINT																																																																								
COLOR:	NA																																																																							
<table border="1"> <thead> <tr> <th>ITEM NO.</th> <th>PART NUMBER</th> <th>DESCRIPTION</th> <th>QTY</th> </tr> </thead> <tbody> <tr> <td>1</td> <td>165-RAM-FNT-BRK-WLD-ASSY</td> <td>FRONT BRACKET WELDED ASSEMBLY</td> <td>1</td> </tr> <tr> <td>2</td> <td>165-RAM-BCK-PLT-BND-01</td> <td>BACKING PLATE FOR MOUNTING</td> <td>1</td> </tr> <tr> <td>3</td> <td>403-BOT-MNT-BRKT-01</td> <td>BOTTOM MOUNTING BRACKET</td> <td>1</td> </tr> <tr> <td>4</td> <td>HEX-M8x20</td> <td>M8x20 HEX BOLT S/S</td> <td>2</td> </tr> <tr> <td>5</td> <td>FW-M8</td> <td>M8x16mm FLAT WASHER S/S - DIN 125</td> <td>2</td> </tr> <tr> <td>6</td> <td>NY-M8</td> <td>M8 NYLOC NUT S/S</td> <td>3</td> </tr> <tr> <td>7</td> <td>NCAP-M8</td> <td>NUT CAP-08mm</td> <td>3</td> </tr> <tr> <td>8</td> <td>HEX-M8x35</td> <td>M8x35 HEX BOLT S/S</td> <td>1</td> </tr> <tr> <td>9</td> <td>FFWM8</td> <td>M8x20mm OVERSIZED WASHER S/S - DIN 9021</td> <td>2</td> </tr> <tr> <td>10</td> <td>AC001-STD-SHM-02</td> <td>SHIM PLATE 2</td> <td>7</td> </tr> <tr> <td>11</td> <td>FW-M12</td> <td>M12x24mm FLAT WASHER S/S - DIN 125</td> <td>2</td> </tr> <tr> <td>12</td> <td>NCAP-M12</td> <td>NUT CAP-012mm</td> <td>1</td> </tr> <tr> <td>13</td> <td>NY-M12</td> <td>M12 NYLOC NUT S/S</td> <td>1</td> </tr> <tr> <td>14</td> <td>HEX-M12x30</td> <td>M12x30 HEX BOLT S/S</td> <td>1</td> </tr> </tbody> </table>													ITEM NO.	PART NUMBER	DESCRIPTION	QTY	1	165-RAM-FNT-BRK-WLD-ASSY	FRONT BRACKET WELDED ASSEMBLY	1	2	165-RAM-BCK-PLT-BND-01	BACKING PLATE FOR MOUNTING	1	3	403-BOT-MNT-BRKT-01	BOTTOM MOUNTING BRACKET	1	4	HEX-M8x20	M8x20 HEX BOLT S/S	2	5	FW-M8	M8x16mm FLAT WASHER S/S - DIN 125	2	6	NY-M8	M8 NYLOC NUT S/S	3	7	NCAP-M8	NUT CAP-08mm	3	8	HEX-M8x35	M8x35 HEX BOLT S/S	1	9	FFWM8	M8x20mm OVERSIZED WASHER S/S - DIN 9021	2	10	AC001-STD-SHM-02	SHIM PLATE 2	7	11	FW-M12	M12x24mm FLAT WASHER S/S - DIN 125	2	12	NCAP-M12	NUT CAP-012mm	1	13	NY-M12	M12 NYLOC NUT S/S	1	14	HEX-M12x30	M12x30 HEX BOLT S/S	1
ITEM NO.	PART NUMBER	DESCRIPTION	QTY																																																																					
1	165-RAM-FNT-BRK-WLD-ASSY	FRONT BRACKET WELDED ASSEMBLY	1																																																																					
2	165-RAM-BCK-PLT-BND-01	BACKING PLATE FOR MOUNTING	1																																																																					
3	403-BOT-MNT-BRKT-01	BOTTOM MOUNTING BRACKET	1																																																																					
4	HEX-M8x20	M8x20 HEX BOLT S/S	2																																																																					
5	FW-M8	M8x16mm FLAT WASHER S/S - DIN 125	2																																																																					
6	NY-M8	M8 NYLOC NUT S/S	3																																																																					
7	NCAP-M8	NUT CAP-08mm	3																																																																					
8	HEX-M8x35	M8x35 HEX BOLT S/S	1																																																																					
9	FFWM8	M8x20mm OVERSIZED WASHER S/S - DIN 9021	2																																																																					
10	AC001-STD-SHM-02	SHIM PLATE 2	7																																																																					
11	FW-M12	M12x24mm FLAT WASHER S/S - DIN 125	2																																																																					
12	NCAP-M12	NUT CAP-012mm	1																																																																					
13	NY-M12	M12 NYLOC NUT S/S	1																																																																					
14	HEX-M12x30	M12x30 HEX BOLT S/S	1																																																																					
<table border="1"> <thead> <tr> <th>REV.</th> <th>DESCRIPTION</th> <th>DATE</th> <th>APPROVED</th> </tr> </thead> <tbody> <tr> <td>00</td> <td>RELEASED FOR PRODUCTION</td> <td>2021-11-02</td> <td>Gerrit Joubert System Administrator</td> </tr> <tr> <td>01</td> <td></td> <td>2021-11-09</td> <td>System Administrator</td> </tr> <tr> <td>02</td> <td></td> <td>2022-01-24</td> <td>System Administrator</td> </tr> </tbody> </table>													REV.	DESCRIPTION	DATE	APPROVED	00	RELEASED FOR PRODUCTION	2021-11-02	Gerrit Joubert System Administrator	01		2021-11-09	System Administrator	02		2022-01-24	System Administrator																																												
REV.	DESCRIPTION	DATE	APPROVED																																																																					
00	RELEASED FOR PRODUCTION	2021-11-02	Gerrit Joubert System Administrator																																																																					
01		2021-11-09	System Administrator																																																																					
02		2022-01-24	System Administrator																																																																					
<table border="1"> <thead> <tr> <th colspan="2">TOLERANCES TO ASSUME UNLESS INDICATED OTHERWISE</th> </tr> </thead> <tbody> <tr> <td>mm dimension</td> <td>tolerance</td> </tr> <tr> <td>0.50 - 3.00</td> <td>+0.10</td> </tr> <tr> <td>3.00 - 5.00</td> <td>+0.15</td> </tr> <tr> <td>5.00 - 10.00</td> <td>+0.20</td> </tr> <tr> <td>10.00 - 30.00</td> <td>+0.30</td> </tr> <tr> <td>30.00 - 100.00</td> <td>+0.50</td> </tr> <tr> <td>100.00 - 1000.00</td> <td>+1.00</td> </tr> <tr> <td>1000.00 - 10000.00</td> <td>+2.00</td> </tr> </tbody> </table>													TOLERANCES TO ASSUME UNLESS INDICATED OTHERWISE		mm dimension	tolerance	0.50 - 3.00	+0.10	3.00 - 5.00	+0.15	5.00 - 10.00	+0.20	10.00 - 30.00	+0.30	30.00 - 100.00	+0.50	100.00 - 1000.00	+1.00	1000.00 - 10000.00	+2.00																																										
TOLERANCES TO ASSUME UNLESS INDICATED OTHERWISE																																																																								
mm dimension	tolerance																																																																							
0.50 - 3.00	+0.10																																																																							
3.00 - 5.00	+0.15																																																																							
5.00 - 10.00	+0.20																																																																							
10.00 - 30.00	+0.30																																																																							
30.00 - 100.00	+0.50																																																																							
100.00 - 1000.00	+1.00																																																																							
1000.00 - 10000.00	+2.00																																																																							
<table border="1"> <thead> <tr> <th colspan="2">REVISIONS</th> </tr> </thead> <tbody> <tr> <td colspan="2">FRONT LHS MOUNTING BRACKET</td> </tr> <tr> <td colspan="2">165 - 165 - M &amp; F KIT - RAM 1500 FS</td> </tr> <tr> <td colspan="2">DATE: 2021-11-09</td> </tr> <tr> <td colspan="2">DRAWING NO: 2021-08-06</td> </tr> <tr> <td colspan="2">SCALE: 1:2</td> </tr> <tr> <td colspan="2">SHEET: 1 OF 1</td> </tr> </tbody> </table>													REVISIONS		FRONT LHS MOUNTING BRACKET		165 - 165 - M & F KIT - RAM 1500 FS		DATE: 2021-11-09		DRAWING NO: 2021-08-06		SCALE: 1:2		SHEET: 1 OF 1																																															
REVISIONS																																																																								
FRONT LHS MOUNTING BRACKET																																																																								
165 - 165 - M & F KIT - RAM 1500 FS																																																																								
DATE: 2021-11-09																																																																								
DRAWING NO: 2021-08-06																																																																								
SCALE: 1:2																																																																								
SHEET: 1 OF 1																																																																								
<p>165-RAM-LHS-FRNT-BRK-ASSY-01 02</p>																																																																								

With the access to the stake hole place the backing plate in position and fit the Front Mounting Brackets with the M12 hardware:





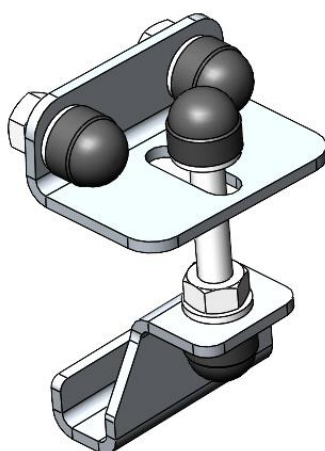
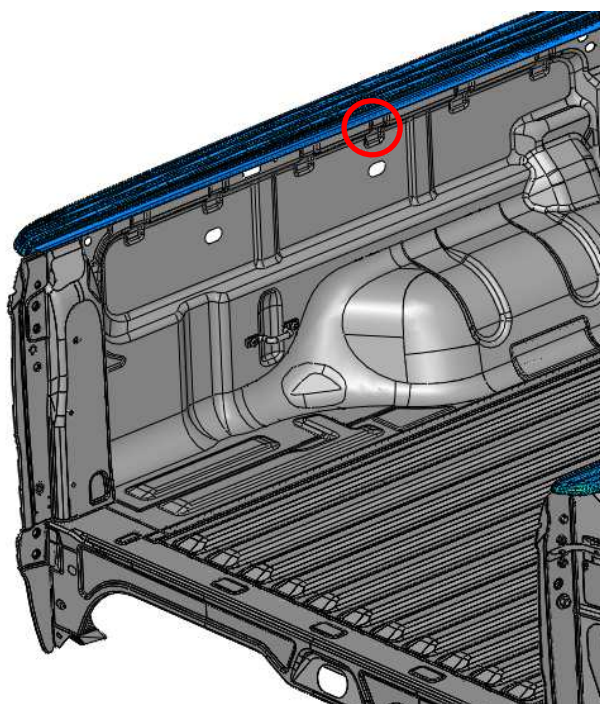
As with the front mount brackets it is important to place the backing plate in position and then fasten down the rear mounting bracket:



## Centre Mounting Brackets

The centre mounting brackets will only be used on the Long Bed installation, if needed. The main purpose of these brackets is to correct seating along the longer load bin length on the Long Bed installation.

If the Canopy Camper seats and seals correctly, they can be left off. If the camper needs to be pulled downwards towards the load bin wall, these brackets can be installed at centre span between the front and rear mounting brackets, on either side:





# Front Filler Kit - Component Identification

<table border="1"> <tr> <td>FINISH</td> <td>13</td> <td>13</td> <td>13</td> <td>13</td> <td>13</td> <td>13</td> <td>13</td> <td>13</td> <td>13</td> <td>13</td> <td>13</td> <td>13</td> </tr> <tr> <td>MASS FINISH</td> <td>78.48</td> <td>78.48</td> <td>78.48</td> <td>78.48</td> <td>78.48</td> <td>78.48</td> <td>78.48</td> <td>78.48</td> <td>78.48</td> <td>78.48</td> <td>78.48</td> <td>78.48</td> </tr> <tr> <td>BONDED</td> <td>Y</td> <td>Y</td> <td>Y</td> <td>Y</td> <td>Y</td> <td>Y</td> <td>Y</td> <td>Y</td> <td>Y</td> <td>Y</td> <td>Y</td> <td>Y</td> </tr> <tr> <td>PAINTED</td> <td>Y</td> <td>Y</td> <td>Y</td> <td>Y</td> <td>Y</td> <td>Y</td> <td>Y</td> <td>Y</td> <td>Y</td> <td>Y</td> <td>Y</td> <td>Y</td> </tr> <tr> <td>MELDED</td> <td>Y</td> <td>Y</td> <td>Y</td> <td>Y</td> <td>Y</td> <td>Y</td> <td>Y</td> <td>Y</td> <td>Y</td> <td>Y</td> <td>Y</td> <td>Y</td> </tr> <tr> <td>TUMBLER</td> <td>Y</td> <td>Y</td> <td>Y</td> <td>Y</td> <td>Y</td> <td>Y</td> <td>Y</td> <td>Y</td> <td>Y</td> <td>Y</td> <td>Y</td> <td>Y</td> </tr> <tr> <td>BRUSHED</td> <td>Y</td> <td>Y</td> <td>Y</td> <td>Y</td> <td>Y</td> <td>Y</td> <td>Y</td> <td>Y</td> <td>Y</td> <td>Y</td> <td>Y</td> <td>Y</td> </tr> <tr> <td>POWDER</td> <td>Y</td> <td>Y</td> <td>Y</td> <td>Y</td> <td>Y</td> <td>Y</td> <td>Y</td> <td>Y</td> <td>Y</td> <td>Y</td> <td>Y</td> <td>Y</td> </tr> <tr> <td>PAINT</td> <td>Y</td> <td>Y</td> <td>Y</td> <td>Y</td> <td>Y</td> <td>Y</td> <td>Y</td> <td>Y</td> <td>Y</td> <td>Y</td> <td>Y</td> <td>Y</td> </tr> <tr> <td>COLOUR</td> <td>NA</td> <td>NA</td> <td>NA</td> <td>NA</td> <td>NA</td> <td>NA</td> <td>NA</td> <td>NA</td> <td>NA</td> <td>NA</td> <td>NA</td> <td>NA</td> </tr> </table>													FINISH	13	13	13	13	13	13	13	13	13	13	13	13	MASS FINISH	78.48	78.48	78.48	78.48	78.48	78.48	78.48	78.48	78.48	78.48	78.48	78.48	BONDED	Y	Y	Y	Y	Y	Y	Y	Y	Y	Y	Y	Y	PAINTED	Y	Y	Y	Y	Y	Y	Y	Y	Y	Y	Y	Y	MELDED	Y	Y	Y	Y	Y	Y	Y	Y	Y	Y	Y	Y	TUMBLER	Y	Y	Y	Y	Y	Y	Y	Y	Y	Y	Y	Y	BRUSHED	Y	Y	Y	Y	Y	Y	Y	Y	Y	Y	Y	Y	POWDER	Y	Y	Y	Y	Y	Y	Y	Y	Y	Y	Y	Y	PAINT	Y	Y	Y	Y	Y	Y	Y	Y	Y	Y	Y	Y	COLOUR	NA	NA	NA	NA	NA	NA	NA	NA	NA	NA	NA	NA
FINISH	13	13	13	13	13	13	13	13	13	13	13	13																																																																																																																																		
MASS FINISH	78.48	78.48	78.48	78.48	78.48	78.48	78.48	78.48	78.48	78.48	78.48	78.48																																																																																																																																		
BONDED	Y	Y	Y	Y	Y	Y	Y	Y	Y	Y	Y	Y																																																																																																																																		
PAINTED	Y	Y	Y	Y	Y	Y	Y	Y	Y	Y	Y	Y																																																																																																																																		
MELDED	Y	Y	Y	Y	Y	Y	Y	Y	Y	Y	Y	Y																																																																																																																																		
TUMBLER	Y	Y	Y	Y	Y	Y	Y	Y	Y	Y	Y	Y																																																																																																																																		
BRUSHED	Y	Y	Y	Y	Y	Y	Y	Y	Y	Y	Y	Y																																																																																																																																		
POWDER	Y	Y	Y	Y	Y	Y	Y	Y	Y	Y	Y	Y																																																																																																																																		
PAINT	Y	Y	Y	Y	Y	Y	Y	Y	Y	Y	Y	Y																																																																																																																																		
COLOUR	NA	NA	NA	NA	NA	NA	NA	NA	NA	NA	NA	NA																																																																																																																																		
<table border="1"> <thead> <tr> <th>ITEM NO.</th> <th>PART NUMBER</th> <th>DESCRIPTION</th> <th>QTY</th> </tr> </thead> <tbody> <tr> <td>1</td> <td>165-RAM-FNT-LHS-FIL-BRK-01</td> <td>FRONT LHS FILLER BRACKET</td> <td>1</td> </tr> <tr> <td>2</td> <td>165-RAM-FNT-RHS-FIL-BRK-01</td> <td>FRONT RHS FILLER BRACKET</td> <td>1</td> </tr> <tr> <td>3</td> <td>HEX-M8x16</td> <td>M8x16 HEX BOLT SIS</td> <td>4</td> </tr> <tr> <td>4</td> <td>FW-M8</td> <td>M8x16mm FLAT WASHER SIS - DIN 125</td> <td>4</td> </tr> <tr> <td>5</td> <td>NY-M8</td> <td>M8 NYLOC NUT SIS</td> <td>4</td> </tr> <tr> <td>6</td> <td>NCAP-M8</td> <td>NUT CAP-08mm</td> <td>4</td> </tr> </tbody> </table>													ITEM NO.	PART NUMBER	DESCRIPTION	QTY	1	165-RAM-FNT-LHS-FIL-BRK-01	FRONT LHS FILLER BRACKET	1	2	165-RAM-FNT-RHS-FIL-BRK-01	FRONT RHS FILLER BRACKET	1	3	HEX-M8x16	M8x16 HEX BOLT SIS	4	4	FW-M8	M8x16mm FLAT WASHER SIS - DIN 125	4	5	NY-M8	M8 NYLOC NUT SIS	4	6	NCAP-M8	NUT CAP-08mm	4																																																																																																						
ITEM NO.	PART NUMBER	DESCRIPTION	QTY																																																																																																																																											
1	165-RAM-FNT-LHS-FIL-BRK-01	FRONT LHS FILLER BRACKET	1																																																																																																																																											
2	165-RAM-FNT-RHS-FIL-BRK-01	FRONT RHS FILLER BRACKET	1																																																																																																																																											
3	HEX-M8x16	M8x16 HEX BOLT SIS	4																																																																																																																																											
4	FW-M8	M8x16mm FLAT WASHER SIS - DIN 125	4																																																																																																																																											
5	NY-M8	M8 NYLOC NUT SIS	4																																																																																																																																											
6	NCAP-M8	NUT CAP-08mm	4																																																																																																																																											
<table border="1"> <tr> <td colspan="2">                 TOLERANCES TO ASSUME                  UNLESS INDICATED OTHERWISE             </td> <td colspan="2">                 DESCRIPTION                  MOUNT AND FILLER KIT MAIN ASSEMBLY             </td> </tr> <tr> <td>SIZE</td> <td>TOLERANCE</td> <td>SCALE</td> <td>SHEET</td> </tr> <tr> <td>3.00</td> <td>± 0.10</td> <td>1:10</td> <td>3 OF 4</td> </tr> <tr> <td>6.00</td> <td>± 0.15</td> <td colspan="2">DRAWING NO.</td> </tr> <tr> <td>9.00</td> <td>± 0.20</td> <td colspan="2">DATE</td> </tr> <tr> <td>12.00</td> <td>± 0.30</td> <td colspan="2">2021-08-06</td> </tr> <tr> <td>15.00</td> <td>± 0.40</td> <td colspan="2">DRAWN BY</td> </tr> <tr> <td>18.00</td> <td>± 0.50</td> <td colspan="2">CHECKED BY</td> </tr> <tr> <td>21.00</td> <td>± 0.60</td> <td colspan="2">DATE</td> </tr> <tr> <td>24.00</td> <td>± 0.70</td> <td colspan="2">2021-08-06</td> </tr> <tr> <td>27.00</td> <td>± 0.80</td> <td colspan="2">DRAWING NO.</td> </tr> <tr> <td>30.00</td> <td>± 0.90</td> <td colspan="2">PROJECT</td> </tr> <tr> <td>33.00</td> <td>± 1.00</td> <td colspan="2">165 - M &amp; F KIT - RAM 1500 FS</td> </tr> <tr> <td>36.00</td> <td>± 1.10</td> <td colspan="2">165 - M &amp; F KIT - RAM 1500 FS</td> </tr> <tr> <td>39.00</td> <td>± 1.20</td> <td colspan="2">165 - M &amp; F KIT - RAM 1500 FS</td> </tr> <tr> <td>42.00</td> <td>± 1.30</td> <td colspan="2">165 - M &amp; F KIT - RAM 1500 FS</td> </tr> <tr> <td>45.00</td> <td>± 1.40</td> <td colspan="2">165 - M &amp; F KIT - RAM 1500 FS</td> </tr> <tr> <td>48.00</td> <td>± 1.50</td> <td colspan="2">165 - M &amp; F KIT - RAM 1500 FS</td> </tr> <tr> <td>51.00</td> <td>± 1.60</td> <td colspan="2">165 - M &amp; F KIT - RAM 1500 FS</td> </tr> <tr> <td>54.00</td> <td>± 1.70</td> <td colspan="2">165 - M &amp; F KIT - RAM 1500 FS</td> </tr> <tr> <td>57.00</td> <td>± 1.80</td> <td colspan="2">165 - M &amp; F KIT - RAM 1500 FS</td> </tr> <tr> <td>60.00</td> <td>± 1.90</td> <td colspan="2">165 - M &amp; F KIT - RAM 1500 FS</td> </tr> <tr> <td>63.00</td> <td>± 2.00</td> <td colspan="2">165 - M &amp; F KIT - RAM 1500 FS</td> </tr> </table>													TOLERANCES TO ASSUME UNLESS INDICATED OTHERWISE		DESCRIPTION MOUNT AND FILLER KIT MAIN ASSEMBLY		SIZE	TOLERANCE	SCALE	SHEET	3.00	± 0.10	1:10	3 OF 4	6.00	± 0.15	DRAWING NO.		9.00	± 0.20	DATE		12.00	± 0.30	2021-08-06		15.00	± 0.40	DRAWN BY		18.00	± 0.50	CHECKED BY		21.00	± 0.60	DATE		24.00	± 0.70	2021-08-06		27.00	± 0.80	DRAWING NO.		30.00	± 0.90	PROJECT		33.00	± 1.00	165 - M & F KIT - RAM 1500 FS		36.00	± 1.10	165 - M & F KIT - RAM 1500 FS		39.00	± 1.20	165 - M & F KIT - RAM 1500 FS		42.00	± 1.30	165 - M & F KIT - RAM 1500 FS		45.00	± 1.40	165 - M & F KIT - RAM 1500 FS		48.00	± 1.50	165 - M & F KIT - RAM 1500 FS		51.00	± 1.60	165 - M & F KIT - RAM 1500 FS		54.00	± 1.70	165 - M & F KIT - RAM 1500 FS		57.00	± 1.80	165 - M & F KIT - RAM 1500 FS		60.00	± 1.90	165 - M & F KIT - RAM 1500 FS		63.00	± 2.00	165 - M & F KIT - RAM 1500 FS																																							
TOLERANCES TO ASSUME UNLESS INDICATED OTHERWISE		DESCRIPTION MOUNT AND FILLER KIT MAIN ASSEMBLY																																																																																																																																												
SIZE	TOLERANCE	SCALE	SHEET																																																																																																																																											
3.00	± 0.10	1:10	3 OF 4																																																																																																																																											
6.00	± 0.15	DRAWING NO.																																																																																																																																												
9.00	± 0.20	DATE																																																																																																																																												
12.00	± 0.30	2021-08-06																																																																																																																																												
15.00	± 0.40	DRAWN BY																																																																																																																																												
18.00	± 0.50	CHECKED BY																																																																																																																																												
21.00	± 0.60	DATE																																																																																																																																												
24.00	± 0.70	2021-08-06																																																																																																																																												
27.00	± 0.80	DRAWING NO.																																																																																																																																												
30.00	± 0.90	PROJECT																																																																																																																																												
33.00	± 1.00	165 - M & F KIT - RAM 1500 FS																																																																																																																																												
36.00	± 1.10	165 - M & F KIT - RAM 1500 FS																																																																																																																																												
39.00	± 1.20	165 - M & F KIT - RAM 1500 FS																																																																																																																																												
42.00	± 1.30	165 - M & F KIT - RAM 1500 FS																																																																																																																																												
45.00	± 1.40	165 - M & F KIT - RAM 1500 FS																																																																																																																																												
48.00	± 1.50	165 - M & F KIT - RAM 1500 FS																																																																																																																																												
51.00	± 1.60	165 - M & F KIT - RAM 1500 FS																																																																																																																																												
54.00	± 1.70	165 - M & F KIT - RAM 1500 FS																																																																																																																																												
57.00	± 1.80	165 - M & F KIT - RAM 1500 FS																																																																																																																																												
60.00	± 1.90	165 - M & F KIT - RAM 1500 FS																																																																																																																																												
63.00	± 2.00	165 - M & F KIT - RAM 1500 FS																																																																																																																																												
<table border="1"> <tr> <th>REV.</th> <th>DESCRIPTION</th> <th>DATE</th> <th>APPROVED</th> </tr> <tr> <td>00</td> <td>RELEASED FOR PRODUCTION</td> <td>2021-11-09</td> <td>System Administrator</td> </tr> </table>													REV.	DESCRIPTION	DATE	APPROVED	00	RELEASED FOR PRODUCTION	2021-11-09	System Administrator																																																																																																																										
REV.	DESCRIPTION	DATE	APPROVED																																																																																																																																											
00	RELEASED FOR PRODUCTION	2021-11-09	System Administrator																																																																																																																																											
<table border="1"> <tr> <th>REV.</th> <th>DESCRIPTION</th> <th>DATE</th> <th>APPROVED</th> </tr> <tr> <td>00</td> <td>RELEASED FOR PRODUCTION</td> <td>2021-11-09</td> <td>System Administrator</td> </tr> </table>													REV.	DESCRIPTION	DATE	APPROVED	00	RELEASED FOR PRODUCTION	2021-11-09	System Administrator																																																																																																																										
REV.	DESCRIPTION	DATE	APPROVED																																																																																																																																											
00	RELEASED FOR PRODUCTION	2021-11-09	System Administrator																																																																																																																																											
<table border="1"> <tr> <td colspan="2">REVISIONS</td> <td colspan="2">DATE</td> <td colspan="2">APPROVED</td> </tr> <tr> <td colspan="2"></td> <td colspan="2">2021-11-09</td> <td colspan="2">System Administrator</td> </tr> </table>													REVISIONS		DATE		APPROVED				2021-11-09		System Administrator																																																																																																																							
REVISIONS		DATE		APPROVED																																																																																																																																										
		2021-11-09		System Administrator																																																																																																																																										
<table border="1"> <tr> <td colspan="2">REVISIONS</td> <td colspan="2">DATE</td> <td colspan="2">APPROVED</td> </tr> <tr> <td colspan="2"></td> <td colspan="2">2021-11-09</td> <td colspan="2">System Administrator</td> </tr> </table>													REVISIONS		DATE		APPROVED				2021-11-09		System Administrator																																																																																																																							
REVISIONS		DATE		APPROVED																																																																																																																																										
		2021-11-09		System Administrator																																																																																																																																										
<table border="1"> <tr> <td colspan="2">REVISIONS</td> <td colspan="2">DATE</td> <td colspan="2">APPROVED</td> </tr> <tr> <td colspan="2"></td> <td colspan="2">2021-11-09</td> <td colspan="2">System Administrator</td> </tr> </table>													REVISIONS		DATE		APPROVED				2021-11-09		System Administrator																																																																																																																							
REVISIONS		DATE		APPROVED																																																																																																																																										
		2021-11-09		System Administrator																																																																																																																																										
<table border="1"> <tr> <td colspan="2">REVISIONS</td> <td colspan="2">DATE</td> <td colspan="2">APPROVED</td> </tr> <tr> <td colspan="2"></td> <td colspan="2">2021-11-09</td> <td colspan="2">System Administrator</td> </tr> </table>													REVISIONS		DATE		APPROVED				2021-11-09		System Administrator																																																																																																																							
REVISIONS		DATE		APPROVED																																																																																																																																										
		2021-11-09		System Administrator																																																																																																																																										
<table border="1"> <tr> <td colspan="2">REVISIONS</td> <td colspan="2">DATE</td> <td colspan="2">APPROVED</td> </tr> <tr> <td colspan="2"></td> <td colspan="2">2021-11-09</td> <td colspan="2">System Administrator</td> </tr> </table>													REVISIONS		DATE		APPROVED				2021-11-09		System Administrator																																																																																																																							
REVISIONS		DATE		APPROVED																																																																																																																																										
		2021-11-09		System Administrator																																																																																																																																										
<table border="1"> <tr> <td colspan="2">REVISIONS</td> <td colspan="2">DATE</td> <td colspan="2">APPROVED</td> </tr> <tr> <td colspan="2"></td> <td colspan="2">2021-11-09</td> <td colspan="2">System Administrator</td> </tr> </table>													REVISIONS		DATE		APPROVED				2021-11-09		System Administrator																																																																																																																							
REVISIONS		DATE		APPROVED																																																																																																																																										
		2021-11-09		System Administrator																																																																																																																																										
<table border="1"> <tr> <td colspan="2">REVISIONS</td> <td colspan="2">DATE</td> <td colspan="2">APPROVED</td> </tr> <tr> <td colspan="2"></td> <td colspan="2">2021-11-09</td> <td colspan="2">System Administrator</td> </tr> </table>													REVISIONS		DATE		APPROVED				2021-11-09		System Administrator																																																																																																																							
REVISIONS		DATE		APPROVED																																																																																																																																										
		2021-11-09		System Administrator																																																																																																																																										
<table border="1"> <tr> <td colspan="2">REVISIONS</td> <td colspan="2">DATE</td> <td colspan="2">APPROVED</td> </tr> <tr> <td colspan="2"></td> <td colspan="2">2021-11-09</td> <td colspan="2">System Administrator</td> </tr> </table>													REVISIONS		DATE		APPROVED				2021-11-09		System Administrator																																																																																																																							
REVISIONS		DATE		APPROVED																																																																																																																																										
		2021-11-09		System Administrator																																																																																																																																										
<table border="1"> <tr> <td colspan="2">REVISIONS</td> <td colspan="2">DATE</td> <td colspan="2">APPROVED</td> </tr> <tr> <td colspan="2"></td> <td colspan="2">2021-11-09</td> <td colspan="2">System Administrator</td> </tr> </table>													REVISIONS		DATE		APPROVED				2021-11-09		System Administrator																																																																																																																							
REVISIONS		DATE		APPROVED																																																																																																																																										
		2021-11-09		System Administrator																																																																																																																																										
<table border="1"> <tr> <td colspan="2">REVISIONS</td> <td colspan="2">DATE</td> <td colspan="2">APPROVED</td> </tr> <tr> <td colspan="2"></td> <td colspan="2">2021-11-09</td> <td colspan="2">System Administrator</td> </tr> </table>													REVISIONS		DATE		APPROVED				2021-11-09		System Administrator																																																																																																																							
REVISIONS		DATE		APPROVED																																																																																																																																										
		2021-11-09		System Administrator																																																																																																																																										
<table border="1"> <tr> <td colspan="2">REVISIONS</td> <td colspan="2">DATE</td> <td colspan="2">APPROVED</td> </tr> <tr> <td colspan="2"></td> <td colspan="2">2021-11-09</td> <td colspan="2">System Administrator</td> </tr> </table>													REVISIONS		DATE		APPROVED				2021-11-09		System Administrator																																																																																																																							
REVISIONS		DATE		APPROVED																																																																																																																																										
		2021-11-09		System Administrator																																																																																																																																										
<table border="1"> <tr> <td colspan="2">REVISIONS</td> <td colspan="2">DATE</td> <td colspan="2">APPROVED</td> </tr> <tr> <td colspan="2"></td> <td colspan="2">2021-11-09</td> <td colspan="2">System Administrator</td> </tr> </table>													REVISIONS		DATE		APPROVED				2021-11-09		System Administrator																																																																																																																							
REVISIONS		DATE		APPROVED																																																																																																																																										
		2021-11-09		System Administrator																																																																																																																																										
<table border="1"> <tr> <td colspan="2">REVISIONS</td> <td colspan="2">DATE</td> <td colspan="2">APPROVED</td> </tr> <tr> <td colspan="2"></td> <td colspan="2">2021-11-09</td> <td colspan="2">System Administrator</td> </tr> </table>													REVISIONS		DATE		APPROVED				2021-11-09		System Administrator																																																																																																																							
REVISIONS		DATE		APPROVED																																																																																																																																										
		2021-11-09		System Administrator																																																																																																																																										
<table border="1"> <tr> <td colspan="2">REVISIONS</td> <td colspan="2">DATE</td> <td colspan="2">APPROVED</td> </tr> <tr> <td colspan="2"></td> <td colspan="2">2021-11-09</td> <td colspan="2">System Administrator</td> </tr> </table>													REVISIONS		DATE		APPROVED				2021-11-09		System Administrator																																																																																																																							
REVISIONS		DATE		APPROVED																																																																																																																																										
		2021-11-09		System Administrator																																																																																																																																										
<table border="1"> <tr> <td colspan="2">REVISIONS</td> <td colspan="2">DATE</td> <td colspan="2">APPROVED</td> </tr> <tr> <td colspan="2"></td> <td colspan="2">2021-11-09</td> <td colspan="2">System Administrator</td> </tr> </table>													REVISIONS		DATE		APPROVED				2021-11-09		System Administrator																																																																																																																							
REVISIONS		DATE		APPROVED																																																																																																																																										
		2021-11-09		System Administrator																																																																																																																																										
<table border="1"> <tr> <td colspan="2">REVISIONS</td> <td colspan="2">DATE</td> <td colspan="2">APPROVED</td> </tr> <tr> <td colspan="2"></td> <td colspan="2">2021-11-09</td> <td colspan="2">System Administrator</td> </tr> </table>													REVISIONS		DATE		APPROVED				2021-11-09		System Administrator																																																																																																																							
REVISIONS		DATE		APPROVED																																																																																																																																										
		2021-11-09		System Administrator																																																																																																																																										
<table border="1"> <tr> <td colspan="2">REVISIONS</td> <td colspan="2">DATE</td> <td colspan="2">APPROVED</td> </tr> <tr> <td colspan="2"></td> <td colspan="2">2021-11-09</td> <td colspan="2">System Administrator</td> </tr> </table>													REVISIONS		DATE		APPROVED				2021-11-09		System Administrator																																																																																																																							
REVISIONS		DATE		APPROVED																																																																																																																																										
		2021-11-09		System Administrator																																																																																																																																										
<table border="1"> <tr> <td colspan="2">REVISIONS</td> <td colspan="2">DATE</td> <td colspan="2">APPROVED</td> </tr> <tr> <td colspan="2"></td> <td colspan="2">2021-11-09</td> <td colspan="2">System Administrator</td> </tr> </table>													REVISIONS		DATE		APPROVED				2021-11-09		System Administrator																																																																																																																							
REVISIONS		DATE		APPROVED																																																																																																																																										
		2021-11-09		System Administrator																																																																																																																																										
<table border="1"> <tr> <td colspan="2">REVISIONS</td> <td colspan="2">DATE</td> <td colspan="2">APPROVED</td> </tr> <tr> <td colspan="2"></td> <td colspan="2">2021-11-09</td> <td colspan="2">System Administrator</td> </tr> </table>													REVISIONS		DATE		APPROVED				2021-11-09		System Administrator																																																																																																																							
REVISIONS		DATE		APPROVED																																																																																																																																										
		2021-11-09		System Administrator																																																																																																																																										
<table border="1"> <tr> <td colspan="2">REVISIONS</td> <td colspan="2">DATE</td> <td colspan="2">APPROVED</td> </tr> <tr> <td colspan="2"></td> <td colspan="2">2021-11-09</td> <td colspan="2">System Administrator</td> </tr> </table>													REVISIONS		DATE		APPROVED				2021-11-09		System Administrator																																																																																																																							
REVISIONS		DATE		APPROVED																																																																																																																																										
		2021-11-09		System Administrator																																																																																																																																										
<table border="1"> <tr> <td colspan="2">REVISIONS</td> <td colspan="2">DATE</td> <td colspan="2">APPROVED</td> </tr> <tr> <td colspan="2"></td> <td colspan="2">2021-11-09</td> <td colspan="2">System Administrator</td> </tr> </table>													REVISIONS		DATE		APPROVED				2021-11-09		System Administrator																																																																																																																							
REVISIONS		DATE		APPROVED																																																																																																																																										
		2021-11-09		System Administrator																																																																																																																																										
<table border="1"> <tr> <td colspan="2">REVISIONS</td> <td colspan="2">DATE</td> <td colspan="2">APPROVED</td> </tr> <tr> <td colspan="2"></td> <td colspan="2">2021-11-09</td> <td colspan="2">System Administrator</td> </tr> </table>													REVISIONS		DATE		APPROVED				2021-11-09		System Administrator																																																																																																																							
REVISIONS		DATE		APPROVED																																																																																																																																										
		2021-11-09		System Administrator																																																																																																																																										
<table border="1"> <tr> <td colspan="2">REVISIONS</td> <td colspan="2">DATE</td> <td colspan="2">APPROVED</td> </tr> <tr> <td colspan="2"></td> <td colspan="2">2021-11-09</td> <td colspan="2">System Administrator</td> </tr> </table>													REVISIONS		DATE		APPROVED				2021-11-09		System Administrator																																																																																																																							
REVISIONS		DATE		APPROVED																																																																																																																																										
		2021-11-09		System Administrator																																																																																																																																										
<table border="1"> <tr> <td colspan="2">REVISIONS</td> <td colspan="2">DATE</td> <td colspan="2">APPROVED</td> </tr> <tr> <td colspan="2"></td> <td colspan="2">2021-11-09</td> <td colspan="2">System Administrator</td> </tr> </table>													REVISIONS		DATE		APPROVED				2021-11-09		System Administrator																																																																																																																							
REVISIONS		DATE		APPROVED																																																																																																																																										
		2021-11-09		System Administrator																																																																																																																																										
<table border="1"> <tr> <td colspan="2">REVISIONS</td> <td colspan="2">DATE</td> <td colspan="2">APPROVED</td> </tr> <tr> <td colspan="2"></td> <td colspan="2">2021-11-09</td> <td colspan="2">System Administrator</td> </tr> </table>													REVISIONS		DATE		APPROVED				2021-11-09		System Administrator																																																																																																																							
REVISIONS		DATE		APPROVED																																																																																																																																										
		2021-11-09		System Administrator																																																																																																																																										
<table border="1"> <tr> <td colspan="2">REVISIONS</td> <td colspan="2">DATE</td> <td colspan="2">APPROVED</td> </tr> <tr> <td colspan="2"></td> <td colspan="2">2021-11-09</td> <td colspan="2">System Administrator</td> </tr> </table>													REVISIONS		DATE		APPROVED				2021-11-09		System Administrator																																																																																																																							
REVISIONS		DATE		APPROVED																																																																																																																																										
		2021-11-09		System Administrator																																																																																																																																										
<table border="1"> <tr> <td colspan="2">REVISIONS</td> <td colspan="2">DATE</td> <td colspan="2">APPROVED</td> </tr> <tr> <td colspan="2"></td> <td colspan="2">2021-11-09</td> <td colspan="2">System Administrator</td> </tr> </table>													REVISIONS		DATE		APPROVED				2021-11-09		System Administrator																																																																																																																							
REVISIONS		DATE		APPROVED																																																																																																																																										
		2021-11-09		System Administrator																																																																																																																																										
<table border="1"> <tr> <td colspan="2">REVISIONS</td> <td colspan="2">DATE</td> <td colspan="2">APPROVED</td> </tr> <tr> <td colspan="2"></td> <td colspan="2">2021-11-09</td> <td colspan="2">System Administrator</td> </tr> </table>													REVISIONS		DATE		APPROVED				2021-11-09		System Administrator																																																																																																																							
REVISIONS		DATE		APPROVED																																																																																																																																										
		2021-11-09		System Administrator																																																																																																																																										
<table border="1"> <tr> <td colspan="2">REVISIONS</td> <td colspan="2">DATE</td> <td colspan="2">APPROVED</td> </tr> <tr> <td colspan="2"></td> <td colspan="2">2021-11-09</td> <td colspan="2">System Administrator</td> </tr> </table>													REVISIONS		DATE		APPROVED				2021-11-09		System Administrator																																																																																																																							
REVISIONS		DATE		APPROVED																																																																																																																																										
		2021-11-09		System Administrator																																																																																																																																										
<table border="1"> <tr> <td colspan="2">REVISIONS</td> <td colspan="2">DATE</td> <td colspan="2">APPROVED</td> </tr> <tr> <td colspan="2"></td> <td colspan="2">2021-11-09</td> <td colspan="2">System Administrator</td> </tr> </table>													REVISIONS		DATE		APPROVED				2021-11-09		System Administrator																																																																																																																							
REVISIONS		DATE		APPROVED																																																																																																																																										
		2021-11-09		System Administrator																																																																																																																																										
<table border="1"> <tr> <td colspan="2">REVISIONS</td> <td colspan="2">DATE</td> <td colspan="2">APPROVED</td> </tr> <tr> <td colspan="2"></td> <td colspan="2">2021-11-09</td> <td colspan="2">System Administrator</td> </tr> </table>													REVISIONS		DATE		APPROVED				2021-11-09		System Administrator																																																																																																																							
REVISIONS		DATE		APPROVED																																																																																																																																										
		2021-11-09		System Administrator																																																																																																																																										
<table border="1"> <tr> <td colspan="2">REVISIONS</td> <td colspan="2">DATE</td> <td colspan="2">APPROVED</td> </tr> <tr> <td colspan="2"></td> <td colspan="2">2021-11-09</td> <td colspan="2">System Administrator</td> </tr> </table>													REVISIONS		DATE		APPROVED				2021-11-09		System Administrator																																																																																																																							
REVISIONS		DATE		APPROVED																																																																																																																																										
		2021-11-09		System Administrator																																																																																																																																										
<table border="1"> <tr> <td colspan="2">REVISIONS</td> <td colspan="2">DATE</td> <td colspan="2">APPROVED</td> </tr> <tr> <td colspan="2"></td> <td colspan="2">2021-11-09</td> <td colspan="2">System Administrator</td> </tr> </table>													REVISIONS		DATE		APPROVED				2021-11-09		System Administrator																																																																																																																							
REVISIONS		DATE		APPROVED																																																																																																																																										
		2021-11-09		System Administrator																																																																																																																																										
<table border="1"> <tr> <td colspan="2">REVISIONS</td> <td colspan="2">DATE</td> <td colspan="2">APPROVED</td> </tr> <tr> <td colspan="2"></td> <td colspan="2">2021-11-09</td> <td colspan="2">System Administrator</td> </tr> </table>													REVISIONS		DATE		APPROVED				2021-11-09		System Administrator																																																																																																																							
REVISIONS		DATE		APPROVED																																																																																																																																										
		2021-11-09		System Administrator																																																																																																																																										
<table border="1"> <tr> <td colspan="2">REVISIONS</td> <td colspan="2">DATE</td> <td colspan="2">APPROVED</td> </tr> <tr> <td colspan="2"></td> <td colspan="2">2021-11-09</td> <td colspan="2">System Administrator</td> </tr> </table>													REVISIONS		DATE		APPROVED				2021-11-09		System Administrator																																																																																																																							
REVISIONS		DATE		APPROVED																																																																																																																																										
		2021-11-09		System Administrator																																																																																																																																										
<table border="1"> <tr> <td colspan="2">REVISIONS</td> <td colspan="2">DATE</td> <td colspan="2">APPROVED</td> </tr> <tr> <td colspan="2"></td> <td colspan="2">2021-11-09</td> <td colspan="2">System Administrator</td> </tr> </table>													REVISIONS		DATE		APPROVED				2021-11-09		System Administrator																																																																																																																							
REVISIONS		DATE		APPROVED																																																																																																																																										
		2021-11-09		System Administrator																																																																																																																																										
<table border="1"> <tr> <td colspan="2">REVISIONS</td> <td colspan="2">DATE</td> <td colspan="2">APPROVED</td> </tr> <tr> <td colspan="2"></td> <td colspan="2">2021-11-09</td> <td colspan="2">System Administrator</td> </tr> </table>													REVISIONS		DATE		APPROVED				2021-11-09		System Administrator																																																																																																																							
REVISIONS		DATE		APPROVED																																																																																																																																										
		2021-11-09		System Administrator																																																																																																																																										
<table border="1"> <tr> <td colspan="2">REVISIONS</td> <td colspan="2">DATE</td> <td colspan="2">APPROVED</td> </tr> <tr> <td colspan="2"></td> <td colspan="2">2021-11-09</td> <td colspan="2">System Administrator</td> </tr> </table>													REVISIONS		DATE		APPROVED				2021-11-09		System Administrator																																																																																																																							
REVISIONS		DATE		APPROVED																																																																																																																																										
		2021-11-09		System Administrator																																																																																																																																										
<table border="1"> <tr> <td colspan="2">REVISIONS</td> <td colspan="2">DATE</td> <td colspan="2">APPROVED</td> </tr> <tr> <td colspan="2"></td> <td colspan="2">2021-11-09</td> <td colspan="2">System Administrator</td> </tr> </table>													REVISIONS		DATE		APPROVED				2021-11-09		System Administrator																																																																																																																							
REVISIONS		DATE		APPROVED																																																																																																																																										
		2021-11-09		System Administrator																																																																																																																																										
<table border="1"> <tr> <td colspan="2">REVISIONS</td> <td colspan="2">DATE</td> <td colspan="2">APPROVED</td> </tr> <tr> <td colspan="2"></td> <td colspan="2">2021-11-09</td> <td colspan="2">System Administrator</td> </tr> </table>													REVISIONS		DATE		APPROVED				2021-11-09		System Administrator																																																																																																																							
REVISIONS		DATE		APPROVED																																																																																																																																										
		2021-11-09		System Administrator																																																																																																																																										
<table border="1"> <tr> <td colspan="2">REVISIONS</td> <td colspan="2">DATE</td> <td colspan="2">APPROVED</td> </tr> <tr> <td colspan="2"></td> <td colspan="2">2021-11-09</td> <td colspan="2">System Administrator</td> </tr> </table>													REVISIONS		DATE		APPROVED				2021-11-09		System Administrator																																																																																																																							
REVISIONS		DATE		APPROVED																																																																																																																																										
		2021-11-09		System Administrator																																																																																																																																										
<table border="1"> <tr> <td colspan="2">REVISIONS</td> <td colspan="2">DATE</td> <td colspan="2">APPROVED</td> </tr> <tr> <td colspan="2"></td> <td colspan="2">2021-11-09</td> <td colspan="2">System Administrator</td> </tr> </table>													REVISIONS		DATE		APPROVED				2021-11-09		System Administrator																																																																																																																							
REVISIONS		DATE		APPROVED																																																																																																																																										
		2021-11-09		System Administrator																																																																																																																																										
<table border="1"> <tr> <td colspan="2">REVISIONS</td> <td colspan="2">DATE</td> <td colspan="2">APPROVED</td> </tr> <tr> <td colspan="2"></td> <td colspan="2">2021-11-09</td> <td colspan="2">System Administrator</td> </tr> </table>													REVISIONS		DATE		APPROVED				2021-11-09		System Administrator																																																																																																																							
REVISIONS		DATE		APPROVED																																																																																																																																										
		2021-11-09		System Administrator																																																																																																																																										
<table border="1"> <tr> <td colspan="2">REVISIONS</td> <td colspan="2">DATE</td> <td colspan="2">APPROVED</td> </tr> <tr> <td colspan="2"></td> <td colspan="2">2021-11-09</td> <td colspan="2">System Administrator</td> </tr> </table>													REVISIONS		DATE		APPROVED				2021-11-09		System Administrator																																																																																																																							
REVISIONS		DATE		APPROVED																																																																																																																																										
		2021-11-09		System Administrator																																																																																																																																										
<table border="1"> <tr> <td colspan="2">REVISIONS</td> <td colspan="2">DATE</td> <td colspan="2">APPROVED</td> </tr> <tr> <td colspan="2"></td> <td colspan="2">2021-11-09</td> <td colspan="2">System Administrator</td> </tr> </table>													REVISIONS		DATE		APPROVED				2021-11-09		System Administrator																																																																																																																							
REVISIONS		DATE		APPROVED																																																																																																																																										
		2021-11-09		System Administrator																																																																																																																																										
<table border="1"> <tr> <td colspan="2">REVISIONS</td> <td colspan="2">DATE</td> <td colspan="2">APPROVED</td> </tr> <tr> <td colspan="2"></td> <td colspan="2">2021-11-09</td> <td colspan="2">System Administrator</td> </tr> </table>													REVISIONS		DATE		APPROVED				2021-11-09		System Administrator																																																																																																																							
REVISIONS		DATE		APPROVED																																																																																																																																										
		2021-11-09		System Administrator																																																																																																																																										
<table border="1"> <tr> <td colspan="2">REVISIONS</td> <td colspan="2">DATE</td> <td colspan="2">APPROVED</td> </tr> <tr> <td colspan="2"></td> <td colspan="2">2021-11-09</td> <td colspan="2">System Administrator</td> </tr> </table>													REVISIONS		DATE		APPROVED				2021-11-09		System Administrator																																																																																																																							
REVISIONS		DATE		APPROVED																																																																																																																																										
		2021-11-09		System Administrator																																																																																																																																										
<table border="1"> <tr> <td colspan="2">REVISIONS</td> <td colspan="2">DATE</td> <td colspan="2">APPROVED</td> </tr> <tr> <td colspan="2"></td> <td colspan="2">2021-11-09</td> <td colspan="2">System Administrator</td> </tr> </table>													REVISIONS		DATE		APPROVED				2021-11-09		System Administrator																																																																																																																							
REVISIONS		DATE		APPROVED																																																																																																																																										
		2021-11-09		System Administrator																																																																																																																																										
<table border="1"> <tr> <td colspan="2">REVISIONS</td> <td colspan="2">DATE</td> <td colspan="2">APPROVED</td> </tr> <tr> <td colspan="2"></td> <td colspan="2">2021-11-09</td> <td colspan="2">System Administrator</td> </tr> </table>													REVISIONS		DATE		APPROVED				2021-11-09		System Administrator																																																																																																																							
REVISIONS		DATE		APPROVED																																																																																																																																										
		2021-11-09		System Administrator																																																																																																																																										
<table border="1"> <tr> <td colspan="2">REVISIONS</td> <td colspan="2">DATE</td> <td colspan="2">APPROVED</td> </tr> <tr> <td colspan="2"></td> <td colspan="2">2021-11-09</td> <td colspan="2">System Administrator</td> </tr> </table>													REVISIONS		DATE		APPROVED				2021-11-09		System Administrator																																																																																																																							
REVISIONS		DATE		APPROVED																																																																																																																																										
		2021-11-09		System Administrator																																																																																																																																										
<table border="1"> <tr> <td colspan="2">REVISIONS</td> <td colspan="2">DATE</td> <td colspan="2">APPROVED</td> </tr> <tr> <td colspan="2"></td> <td colspan="2">2021-11-09</td> <td colspan="2">System Administrator</td> </tr> </table>													REVISIONS		DATE		APPROVED				2021-11-09		System Administrator																																																																																																																							
REVISIONS		DATE		APPROVED																																																																																																																																										
		2021-11-09		System Administrator																																																																																																																																										
<table border="1"> <tr> <td colspan="2">REVISIONS</td> <td colspan="2">DATE</td> <td colspan="2">APPROVED</td> </tr> <tr> <td colspan="2"></td> <td colspan="2">2021-11-09</td> <td colspan="2">System Administrator</td> </tr> </table>													REVISIONS		DATE		APPROVED				2021-11-09		System Administrator																																																																																																																							
REVISIONS		DATE		APPROVED																																																																																																																																										
		2021-11-09		System Administrator																																																																																																																																										
<table border="1"> <tr> <td colspan="2">REVISIONS</td> <td colspan="2">DATE</td> <td colspan="2">APPROVED</td> </tr> <tr> <td colspan="2"></td> <td colspan="2">2021-11-09</td> <td colspan="2">System Administrator</td> </tr> </table>													REVISIONS		DATE		APPROVED				2021-11-09		System Administrator																																																																																																																							
REVISIONS		DATE		APPROVED																																																																																																																																										
		2021-11-09		System Administrator																																																																																																																																										
<table border="1"> <tr> <td colspan="2">REVISIONS</td> <td colspan="2">DATE</td> <td colspan="2">APPROVED</td> </tr> <tr> <td colspan="2"></td> <td colspan="2">2021-11-09</td> <td colspan="2">System Administrator</td> </tr> </table>													REVISIONS		DATE		APPROVED				2021-11-09		System Administrator																																																																																																																							
REVISIONS		DATE		APPROVED																																																																																																																																										
		2021-11-09		System Administrator																																																																																																																																										
<table border="1"> <tr> <td colspan="2">REVISIONS</td> <td colspan="2">DATE</td> <td colspan="2">APPROVED</td> </tr> <tr> <td colspan="2"></td> <td colspan="2">2021-11-09</td> <td colspan="2">System Administrator</td> </tr> </table>													REVISIONS		DATE		APPROVED				2021-11-09		System Administrator																																																																																																																							
REVISIONS		DATE		APPROVED																																																																																																																																										
		2021-11-09		System Administrator																																																																																																																																										
<table border="1"> <tr> <td colspan="2">REVISIONS</td> <td colspan="2">DATE</td> <td colspan="2">APPROVED</td> </tr> <tr> <td colspan="2"></td> <td colspan="2">2021-11-09</td> <td colspan="2">System Administrator</td> </tr> </table>													REVISIONS		DATE		APPROVED				2021-11-09		System Administrator																																																																																																																							
REVISIONS		DATE		APPROVED																																																																																																																																										
		2021-11-09		System Administrator																																																																																																																																										
<table border="1"> <tr> <td colspan="2">REVISIONS</td> <td colspan="2">DATE</td> <td colspan="2">APPROVED</td> </tr> <tr> <td colspan="2"></td> <td colspan="2">2021-11-09</td> <td colspan="2">System Administrator</td> </tr> </table>													REVISIONS		DATE		APPROVED				2021-11-09		System Administrator																																																																																																																							
REVISIONS		DATE		APPROVED																																																																																																																																										
		2021-11-09		System Administrator																																																																																																																																										
<table border="1"> <tr> <td colspan="2">REVISIONS</td> <td colspan="2">DATE</td> <td colspan="2">APPROVED</td> </tr> <tr> <td colspan="2"></td> <td colspan="2">2021-11-09</td> <td colspan="2">System Administrator</td> </tr> </table>													REVISIONS		DATE		APPROVED				2021-11-09		System Administrator																																																																																																																							
REVISIONS		DATE		APPROVED																																																																																																																																										
		2021-11-09		System Administrator																																																																																																																																										
<table border="1"> <tr> <td colspan="2">REVISIONS</td> <td colspan="2">DATE</td> <td colspan="2">APPROVED</td> </tr> <tr> <td colspan="2"></td> <td colspan="2">2021-11-09</td> <td colspan="2">System Administrator</td> </tr> </table>													REVISIONS		DATE		APPROVED				2021-11-09		System Administrator																																																																																																																							
REVISIONS		DATE		APPROVED																																																																																																																																										
		2021-11-09		System Administrator																																																																																																																																										
<table border="1"> <tr> <td colspan="2">REVISIONS</td> <td colspan="2">DATE</td> <td colspan="2">APPROVED</td> </tr> <tr> <td colspan="2"></td> <td colspan="2">2021-11-09</td> <td colspan="2">System Administrator</td> </tr> </table>													REVISIONS		DATE		APPROVED				2021-11-09		System Administrator																																																																																																																							
REVISIONS		DATE		APPROVED																																																																																																																																										
		2021-11-09		System Administrator																																																																																																																																										
<table border="1"> <tr> <td colspan="2">REVISIONS</td> <td colspan="2">DATE</td> <td colspan="2">APPROVED</td> </tr> <tr> <td colspan="2"></td> <td colspan="2">2021-11-09</td> <td colspan="2">System Administrator</td> </tr> </table>													REVISIONS		DATE		APPROVED				2021-11-09		System Administrator																																																																																																																							
REVISIONS		DATE		APPROVED																																																																																																																																										
		2021-11-09		System Administrator																																																																																																																																										
<table border="1"> <tr> <td colspan="2">REVISIONS</td> <td colspan="2">DATE</td> <td colspan="2">APPROVED</td> </tr> <tr> <td colspan="2"></td> <td colspan="2">2021-11-09</td> <td colspan="2">System Administrator</td> </tr> </table>													REVISIONS		DATE		APPROVED				2021-11-09		System Administrator																																																																																																																							
REVISIONS		DATE		APPROVED																																																																																																																																										
		2021-11-09		System Administrator																																																																																																																																										
<table border="1"> <tr> <td colspan="2">REVISIONS</td> <td colspan="2">DATE</td> <td colspan="2">APPROVED</td> </tr> <tr> <td colspan="2"></td> <td colspan="2">2021-11-09</td> <td colspan="2">System Administrator</td> </tr> </table>													REVISIONS		DATE		APPROVED				2021-11-09		System Administrator																																																																																																																							
REVISIONS		DATE		APPROVED																																																																																																																																										
		2021-11-09		System Administrator																																																																																																																																										
<table border="1"> <tr> <td colspan="2">REVISIONS</td> <td colspan="2">DATE</td> <td colspan="2">APPROVED</td> </tr> <tr> <td colspan="2"></td> <td colspan="2">2021-11-09</td> <td colspan="2">System Administrator</td> </tr> </table>													REVISIONS		DATE		APPROVED				2021-11-09		System Administrator																																																																																																																							
REVISIONS		DATE		APPROVED																																																																																																																																										
		2021-11-09		System Administrator																																																																																																																																										
<table border="1"> <tr> <td colspan="2">REVISIONS</td> <td colspan="2">DATE</td> <td colspan="2">APPROVED</td> </tr> <tr> <td colspan="2"></td> <td colspan="2">2021-11-09</td> <td colspan="2">System Administrator</td> </tr> </table>													REVISIONS		DATE		APPROVED				2021-11-09		System Administrator																																																																																																																							
REVISIONS		DATE		APPROVED																																																																																																																																										
		2021-11-09		System Administrator																																																																																																																																										
<table border="1"> <tr> <td colspan="2">REVISIONS</td> <td colspan="2">DATE</td> <td colspan="2">APPROVED</td> </tr> <tr> <td colspan="2"></td> <td colspan="2">2021-11-09</td> <td colspan="2">System Administrator</td> </tr> </table>													REVISIONS		DATE		APPROVED				2021-11-09		System Administrator																																																																																																																							
REVISIONS		DATE		APPROVED																																																																																																																																										
		2021-11-09		System Administrator																																																																																																																																										
<table border="1"> <tr> <td colspan="2">REVISIONS</td> <td colspan="2">DATE</td> <td colspan="2">APPROVED</td> </tr> <tr> <td colspan="2"></td> <td colspan="2">2021-11-09</td> <td colspan="2">System Administrator</td> </tr> </table>													REVISIONS		DATE		APPROVED				2021-11-09		System Administrator																																																																																																																							
REVISIONS		DATE		APPROVED																																																																																																																																										
		2021-11-09		System Administrator																																																																																																																																										
<table border="1"> <tr> <td colspan="2">REVISIONS</td> <td colspan="2">DATE</td> <td colspan="2">APPROVED</td> </tr> <tr> <td colspan="2"></td> <td colspan="2">2021-11-09</td> <td colspan="2">System Administrator</td> </tr> </table>													REVISIONS		DATE		APPROVED				2021-11-09		System Administrator																																																																																																																							
REVISIONS		DATE		APPROVED																																																																																																																																										
		2021-11-09		System Administrator																																																																																																																																										
<table border="1"> <tr> <td colspan="2">REVISIONS</td> <td colspan="2">DATE</td> <td colspan="2">APPROVED</td> </tr> <tr> <td colspan="2"></td> <td colspan="2">2021-11-09</td> <td colspan="2">System Administrator</td> </tr> </table>													REVISIONS		DATE		APPROVED				2021-11-09		System Administrator																																																																																																																							
REVISIONS		DATE		APPROVED																																																																																																																																										
		2021-11-09		System Administrator																																																																																																																																										
<table border="1"> <tr> <td colspan="2">REVISIONS</td> <td colspan="2">DATE</td> <td colspan="2">APPROVED</td> </tr> <tr> <td colspan="2"></td> <td colspan="2">2021-11-09</td> <td colspan="2">System Administrator</td> </tr> </table>													REVISIONS		DATE		APPROVED				2021-11-09		System Administrator																																																																																																																							
REVISIONS		DATE		APPROVED																																																																																																																																										
		2021-11-09		System Administrator																																																																																																																																										
<table border="1"> <tr> <td colspan="2">REVISIONS</td> <td colspan="2">DATE</td> <td colspan="2">APPROVED</td> </tr> <tr> <td colspan="2"></td> <td colspan="2">2021-11-09</td> <td colspan="2">System Administrator</td> </tr> </table>													REVISIONS		DATE		APPROVED				2021-11-09		System Administrator																																																																																																																							
REVISIONS		DATE		APPROVED																																																																																																																																										
		2021-11-09		System Administrator																																																																																																																																										
<table border="1"> <tr> <td colspan="2">REVISIONS</td> <td colspan="2">DATE</td> <td colspan="2">APPROVED</td> </tr> <tr> <td colspan="2"></td> <td colspan="2">2021-11-09</td> <td colspan="2">System Administrator</td> </tr> </table>													REVISIONS		DATE		APPROVED				2021-11-09		System Administrator																																																																																																																							
REVISIONS		DATE		APPROVED																																																																																																																																										
		2021-11-09		System Administrator																																																																																																																																										
<table border="1"> <tr> <td colspan="2">REVISIONS</td> <td colspan="2">DATE</td> <td colspan="2">APPROVED</td> </tr> <tr> <td colspan="2"></td> <td colspan="2">2021-11-09</td> <td colspan="2">System Administrator</td> </tr> </table>													REVISIONS		DATE		APPROVED				2021-11-09		System Administrator																																																																																																																							
REVISIONS		DATE		APPROVED																																																																																																																																										
		2021-11-09		System Administrator																																																																																																																																										
<table border="1"> <tr> <td colspan="2">REVISIONS</td> <td colspan="2">DATE</td> <td colspan="2">APPROVED</td> </tr> <tr> <td colspan="2"></td> <td colspan="2">2021-11-09</td> <td colspan="2">System Administrator</td> </tr> </table>													REVISIONS		DATE		APPROVED				2021-11-09		System Administrator																																																																																																																							
REVISIONS		DATE		APPROVED																																																																																																																																										
		2021-11-09		System Administrator																																																																																																																																										
<table border="1"> <tr> <td colspan="2">REVISIONS</td> <td colspan="2">DATE</td> <td colspan="2">APPROVED</td> </tr> <tr> <td colspan="2"></td> <td colspan="2">2021-11-09</td> <td colspan="2">System Administrator</td> </tr> </table>													REVISIONS		DATE		APPROVED				2021-11-09		System Administrator																																																																																																																							
REVISIONS		DATE		APPROVED																																																																																																																																										
		2021-11-09		System Administrator																																																																																																																																										
<table border="1"> <tr> <td colspan="2">REVISIONS</td> <td colspan="2">DATE</td> <td colspan="2">APPROVED</td> </tr> <tr> <td colspan="2"></td> <td colspan="2">2021-11-09</td> <td colspan="2">System Administrator</td> </tr> </table>													REVISIONS		DATE		APPROVED				2021-11-09		System Administrator																																																																																																																							
REVISIONS		DATE		APPROVED																																																																																																																																										
		2021-11-09		System Administrator																																																																																																																																										
<table border="1"> <tr> <td colspan="2">REVISIONS</td> <td colspan="2">DATE</td> <td colspan="2">APPROVED</td> </tr> <tr> <td colspan="2"></td> <td colspan="2">2021-11-09</td> <td colspan="2">System Administrator</td> </tr> </table>													REVISIONS		DATE		APPROVED				2021-11-09		System Administrator																																																																																																																							
REVISIONS		DATE		APPROVED																																																																																																																																										
		2021-11-09		System Administrator																																																																																																																																										
<table border="1"> <tr> <td colspan="2">REVISIONS</td> <td colspan="2">DATE</td> <td colspan="2">APPROVED</td> </tr> <tr> <td colspan="2"></td> <td colspan="2">2021-11-09</td> <td colspan="2">System Administrator</td> </tr> </table>													REVISIONS		DATE		APPROVED				2021-11-09		System Administrator																																																																																																																							
REVISIONS		DATE		APPROVED																																																																																																																																										
		2021-11-09		System Administrator																																																																																																																																										
<table border="1"> <tr> <td colspan="2">REVISIONS</td> <td colspan="2">DATE</td> <td colspan="2">APPROVED</td> </tr> <tr> <td colspan="2"></td> <td colspan="2">2021-11-09</td> <td colspan="2">System Administrator</td> </tr> </table>													REVISIONS		DATE		APPROVED				2021-11-09		System Administrator																																																																																																																							
REVISIONS		DATE		APPROVED																																																																																																																																										
		2021-11-09		System Administrator																																																																																																																																										
<table border="1"> <tr> <td colspan="2">REVISIONS</td> <td colspan="2">DATE</td> <td colspan="2">APPROVED</td> </tr> <tr> <td colspan="2"></td> <td colspan="2">2021-11-09</td> <td colspan="2">System Administrator</td> </tr> </table>													REVISIONS		DATE		APPROVED				2021-11-09		System Administrator																																																																																																																							
REVISIONS		DATE		APPROVED																																																																																																																																										
		2021-11-09		System Administrator																																																																																																																																										
<table border="1"> <tr> <td colspan="2">REVISIONS</td> <td colspan="2">DATE</td> <td colspan="2">APPROVED</td> </tr> <tr> <td colspan="2"></td> <td colspan="2">2021-11-09</td> <td colspan="2">System Administrator</td> </tr> </table>													REVISIONS		DATE		APPROVED				2021-11-09		System Administrator																																																																																																																							
REVISIONS		DATE		APPROVED																																																																																																																																										
		2021-11-09		System Administrator																																																																																																																																										
<table border="1"> <tr> <td colspan="2">REVISIONS</td> <td colspan="2">DATE</td> <td colspan="2">APPROVED</td> </tr></table>													REVISIONS		DATE		APPROVED																																																																																																																													
REVISIONS		DATE		APPROVED																																																																																																																																										

## Front Filler Kit - Installation

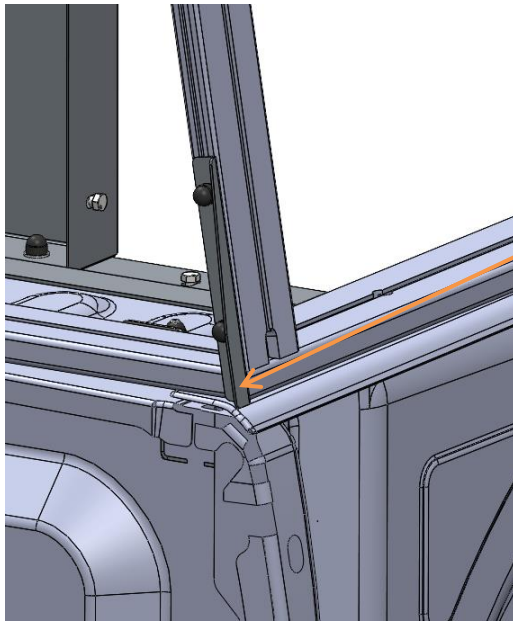
The front filler kit is made up of only two brackets that are optional extras for the long bed installation. The brackets assist with the aesthetic of the final install.

### Short Bed Installation:

Not necessary

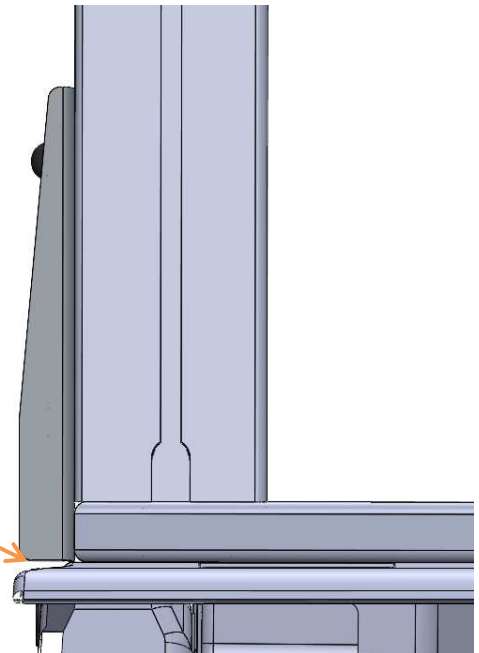
### Long Bed Installation:

Slide two bolts into the front track on Alu-Cabin. Position the brackets so that the flat side faces out, matching the side of the Alu-Cabin. Fasten the bolts down and ensure the brackets are firmly in position.



FLAT FACE POINTS OUT, AND MATCHES THE ANGLE OF THE FRAME FOR THE ALU-CABIN

POSITION BRACKETS AT THE BOTTOM OF THE FRAME AND FILL GAP WITH SEALANT



## **Installation Completed**

Your installation of the RAM Alu-Cabin is now completed.

### **Congratulations!**

Please remember that any areas where there is Sikaflex might still be sticky and should cure for a minimum of 24 hours before going on any overlanding trip.

From us at the Alu-Cab Team:

**Happy Camping!**