

FITMENT INSTRUCTIONS

Alu-Cab™



Canopy Cupboard

All rights reserved. No part of this document may be reproduced, translated, stored in a retrieval system, or transmitted, in any form or by any means, electronic, mechanical, photocopying, recording or otherwise, without prior written permission of the owner.

Review all instructions information carefully before installation.

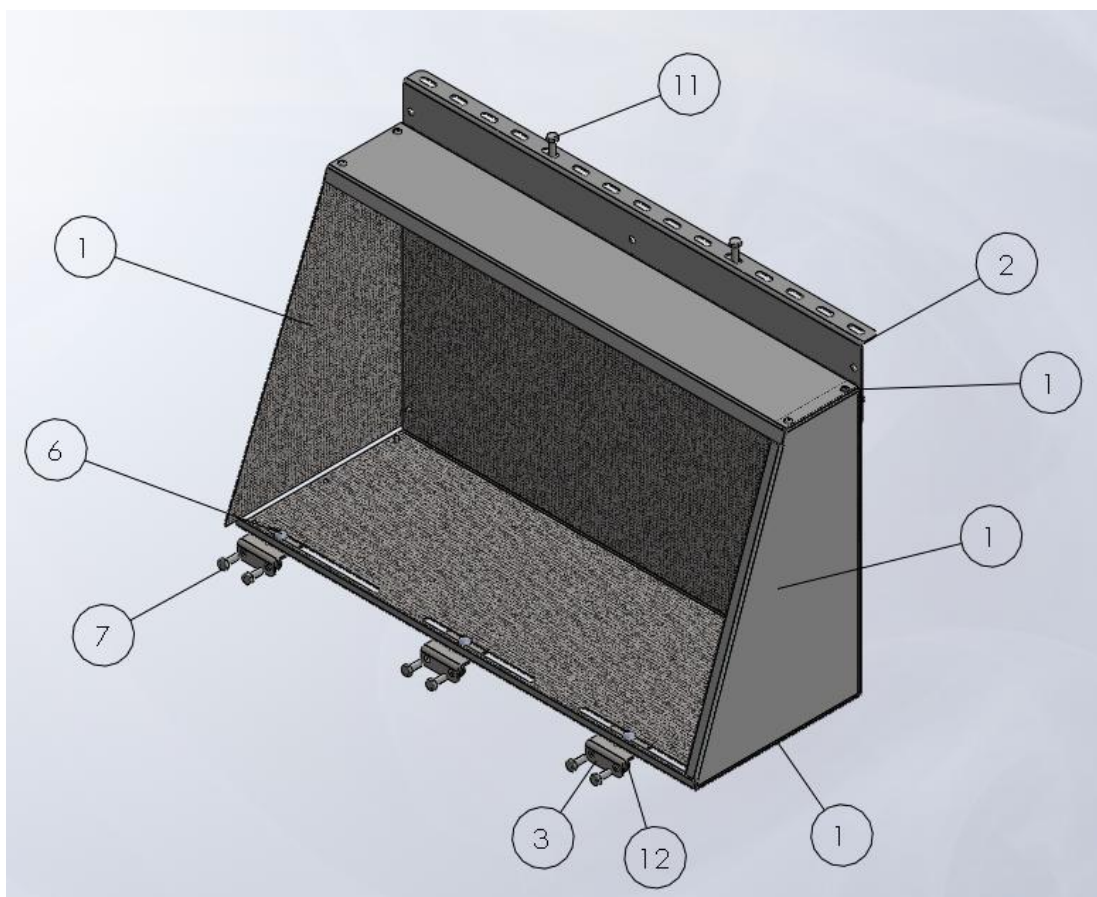
Any damages, direct or incidental to the installer and/or property due to incorrect installation of any parts are the responsibility of the installer. Due to the various applications and fitment options available, the responsibility lies with the user to ensure all mounting points are secure and tight before every trip. If unsure, consult with your Distributor regarding the operations of our products.

Users are advised to be mindful of the load they are carrying and drive in accordance with road conditions.

DISCLAIMER

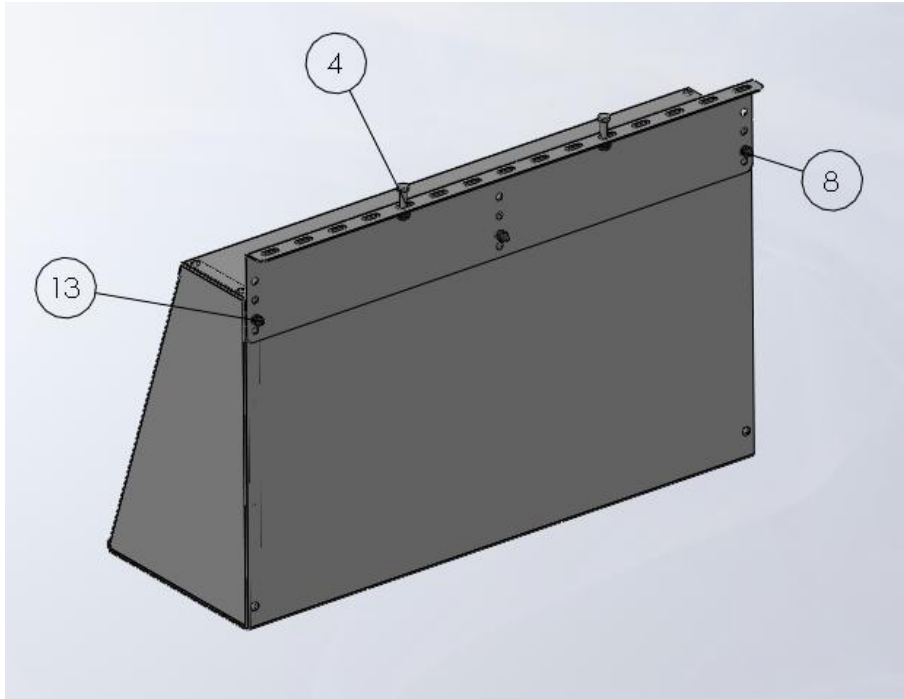
Alu-Cab

PART NUMBER	DESCRIPTION	QTY
Canopy Cupboard		1
SCB560-000-004 Rev C	MOUNTING BRACKET	1
SCB560-000-005	BOTTOM MOUNTING BRACKET	3
M8 FLAT WASHER	M8 FLAT WASHER	11
N8 Nyloc Nut	N8 Nyloc Nut	11
M8x20 CUP SQUARE BOLT	M8x20 CUP SQUARE BOLT	3
M8x20 Hex Head Bolt	M8x20 Hex Head Bolt	6
M6 Flat Washer	M6 Flat Washer	6
M6x20 Button Head Screw	M6x20 Button Head Screw	3
M6 Nyloc Nut	M6 Nyloc Nut	3
M8x35 Hex Head Bolt	M8x35 HEX BOLT	2
M8 Nut Cap	Plastic Nut Cap	11
M6 Nut Cap	Plastic Nut Cap	3

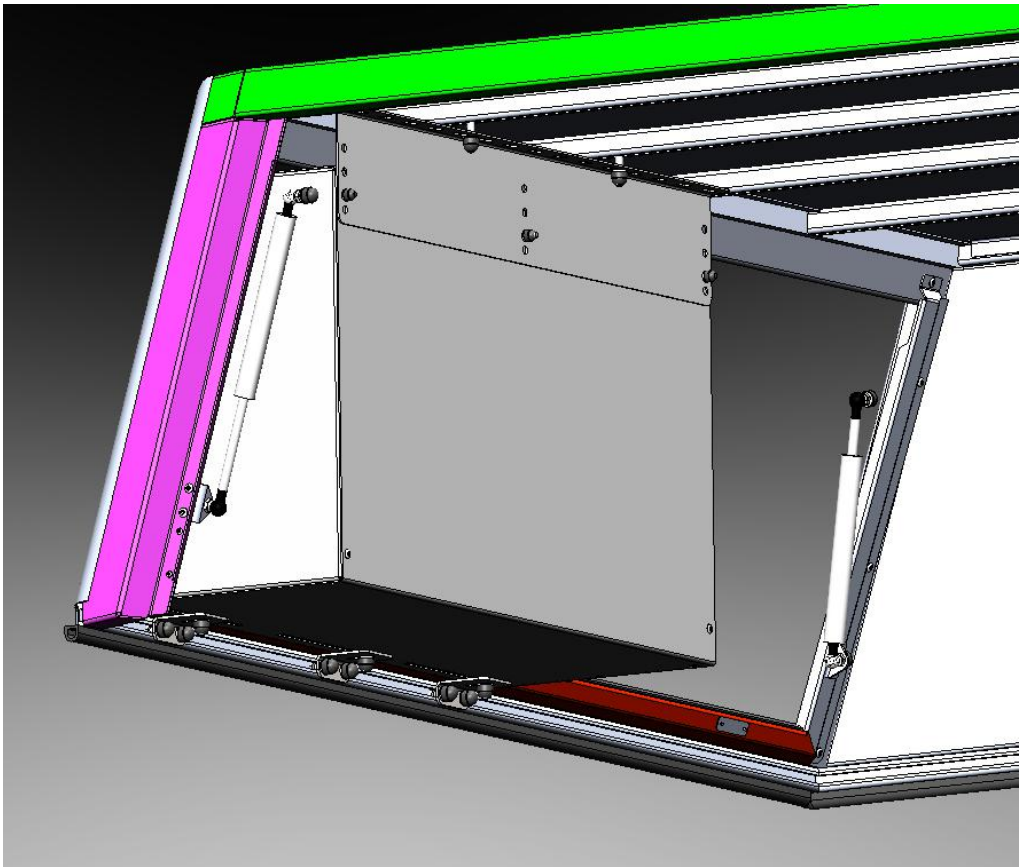


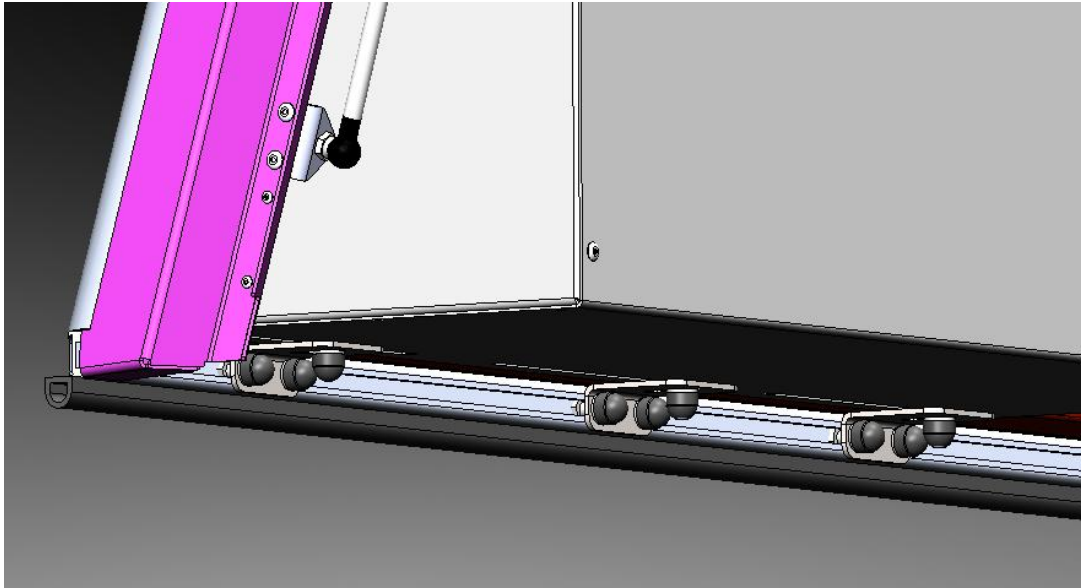
WARNING

Always wear appropriate PPE (Personal protection equipment) when fitting this product. Although the mounting kit is designed to be DIY, if you have any doubts or concerns, contact an accredited fitment centre to carry out the work. Alu-Cab will not be liable for any injury to persons, and/or damage to products and/or vehicles.

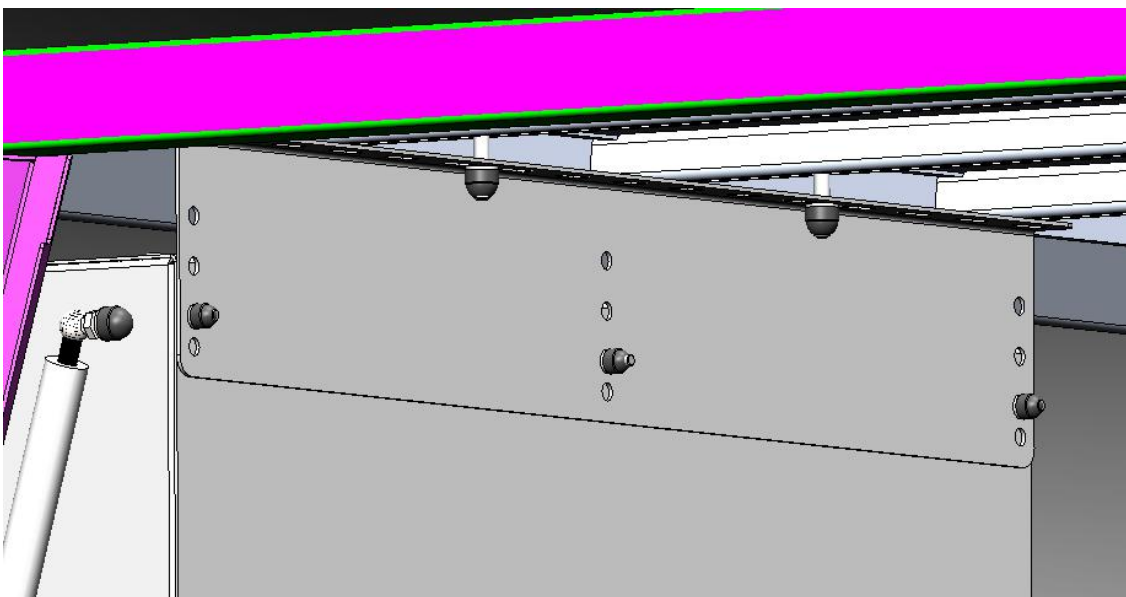


Assembled Canopy Cupboard





Bottom Brackets Assembled using M8 Hex Bolts into the nut Slot and M8 Cup square bolts into the canopy Cupboard. There are slots to adjust the position of the cupboard brackets to clear the canopy load bin brackets.



Top Bracket Assembled. Use M6x20 Button Head screws to bolt Bracket to the Cupboard and M8 Bolt Bracket to the Canopy Frame roof as shown. Bracket is height adjustable to suit multiple canopies. Remember to fit plastic nut caps over the nyloc nuts



Photo of Assembled top bracket



Photo of Canopy cupboard fitted into canopy.