

FITMENT INSTRUCTIONS

Alu-Cab™



180° Awning to Canopy Camper & Khaya Mounting Kit (CC-A-AWN-BKT-LH)

All rights reserved. No part of this document may be reproduced, translated, stored in a retrieval system, or transmitted, in any form or by any means, electronic, mechanical, photocopying, recording or otherwise, without prior written permission of the owner.

Review all instructions information carefully before installation.

Any damages, direct or incidental to the installer and/or property due to incorrect installation of any parts are the responsibility of the installer. Due to the various applications and fitment options available, the responsibility lies with the user to ensure all mounting points are secure and tight before every trip. If unsure, consult with your Distributor regarding the operations of our products.

Users are advised to be mindful of the load they are carrying and drive in accordance with road conditions.

DISCLAIMER

Alu-Cab

1. Shadow Awning Fitment – Tools, Fasteners & Materials

The tables below show the equipment, i.e. tools and fasteners required to start the Shadow Awning fitment onto a Canopy Camper or Khaya, on the left hand side.

1.1. Tools & Items Required:

TOOLS
Ratchet
13mm Socket & Ring Spanner
4 mm Allen Key
Drill
Drill Bit Ø8.5 mm

ITEM
Diluted Isopropyl Alcohol (Preferred)
Cloth
Black sealant, silicone or Sikaflex

1.2. Fasteners supplied: (Included with Mounting Kit)

ITEM	QTY
M8 FLAT WASHER	24
M8 PLASTIC NUT CAP	4
M8 NYLOCK NUT	12
M8X25 B/HD BOLT S/S	10
M8X25 HEX BOLT S/S	2

1.3 Hardware Required: (Included with Mounting Kit)

ITEM	DESCRIPTION	QTY
AWN-CPR-000-003	BACKING PLATE 1	2
AWN-CPR-000-006	AWNING MOUNTING BRACKET REAR - LH	1
AWN-CPR-000-007	AWNING MOUNTING BRACKET FRONT - LH	1

NOTE The Shadow Awning is sold separately, and is not included in this mounting kit.

Component Identification:

NO.	PART NUMBER	DESCRIPTION	QTY.
1	AWN-CPR-000-003	BACKING PLATE 1	2
2	AWN-CPR-000-006	AWNING MOUNTING BRACKET REAR - LH	1
3	AWN-CPR-000-007	AWNING MOUNTING BRACKET FRONT - LH	1
4	DIN 125A M8 FLAT WASHER	FLAT WASHER	24
5	M8 NUT CAP	PLASTIC NUT CAP	4
6	DIN 985 M8 NYLOC NUT	NYLOC NUT	12
7	M8X25 BUTTON HEAD HEX SOCKET SCREW	BUTTON HEAD HEX SOCKET SCREW	10
8	M8X25 HEX HEAD BOLT	HEX HEAD BOLT	2

FRONT BRACKET, FRONT HOLES TO CAMPER INTERFACE

REV.	DESCRIPTION	ECO	DATE	APPROVED
00	CC-A-AWN-BKT-LH			

NO. DIMENSION	UNIT	MIN	MAX	TOLERANCE
1	mm	3.00	3.10	+0.10
2	mm	6.00	6.10	+0.10
3	mm	3.00	3.10	+0.10
4	mm	3.00	3.10	+0.10
5	mm	3.00	3.10	+0.10
6	mm	3.00	3.10	+0.10
7	mm	3.00	3.10	+0.10
8	mm	3.00	3.10	+0.10

ITEM NO.	DESCRIPTION	UNIT	QTY.
1	AWN-CPR-000-003	mm	2
2	AWN-CPR-000-006	mm	1
3	AWN-CPR-000-007	mm	1
4	DIN 125A M8 FLAT WASHER	mm	24
5	M8 NUT CAP	mm	4
6	DIN 985 M8 NYLOC NUT	mm	12
7	M8X25 BUTTON HEAD HEX SOCKET SCREW	mm	10
8	M8X25 HEX HEAD BOLT	mm	2

REV.	DESCRIPTION	ECO	DATE	APPROVED
00	CC-A-AWN-BKT-LH			

REV.	DESCRIPTION	ECO	DATE	APPROVED
00	CC-A-AWN-BKT-LH			

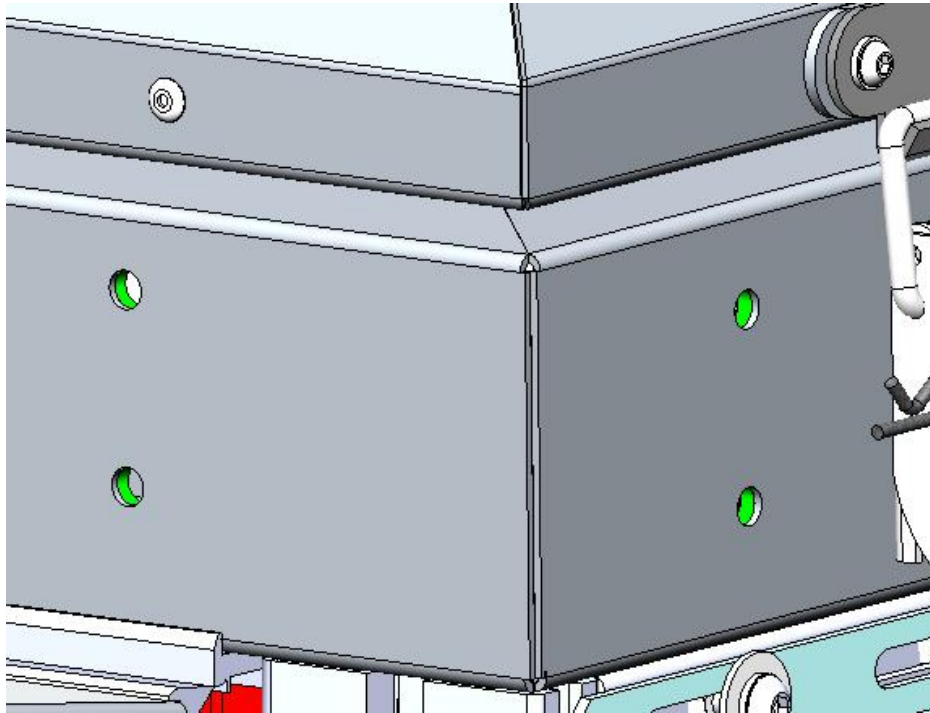


WARNING

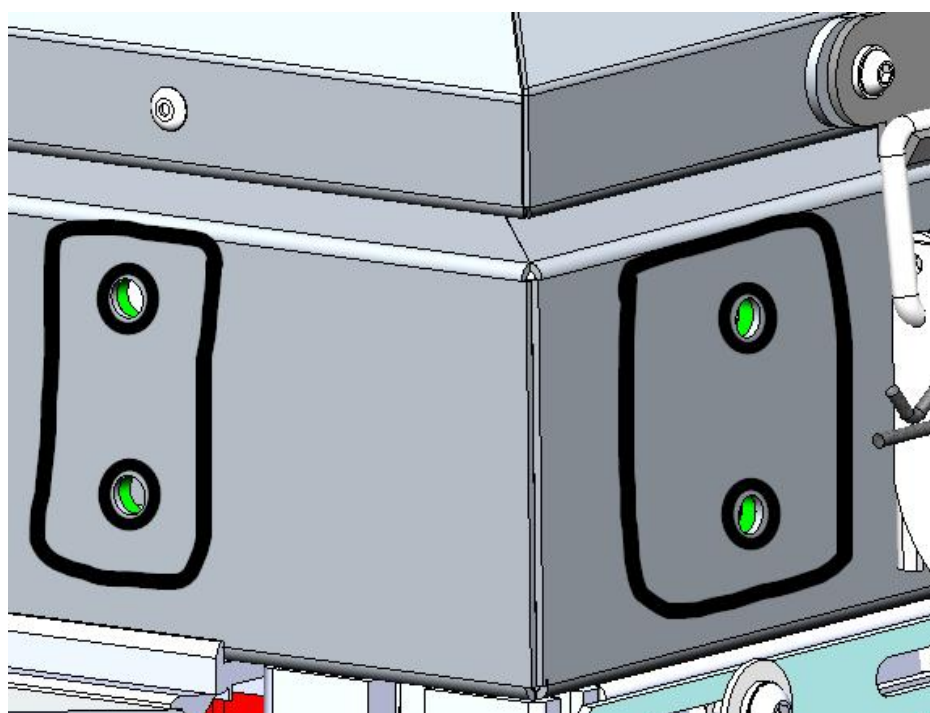
Always wear appropriate PPE (Personal protection equipment) when fitting this product. Although the mounting kit is designed to be DIY, if you have any doubts or concerns, contact an accredited fitment centre to carry out the work. Alu-Cab will not be liable for any injury to persons, and/or damage to products and/or vehicles.

2. Fitment of Rear Mounting Bracket

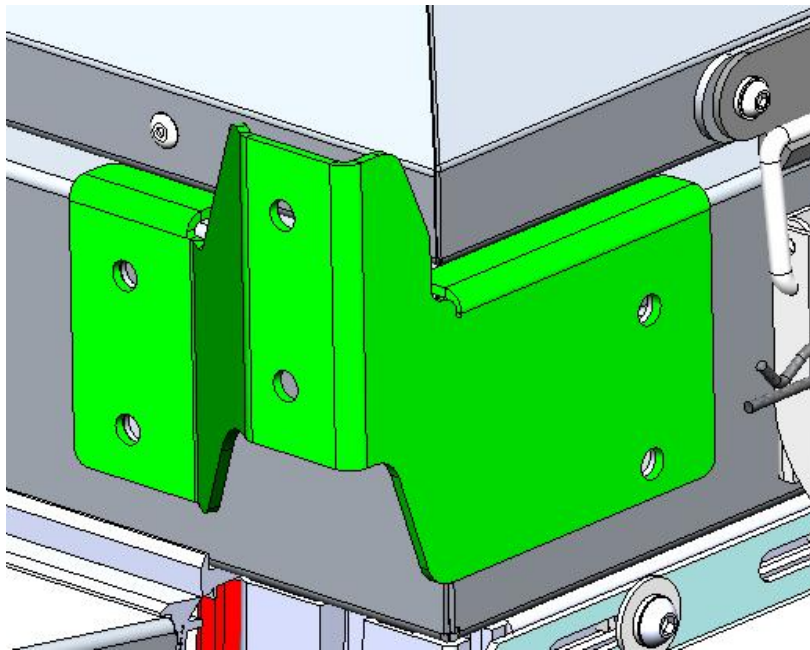
At the rear left hand corner of the Canopy Camper or Khaya, there will be four (4) laser cut holes in the base of the roof top tent, as shown in the image below:



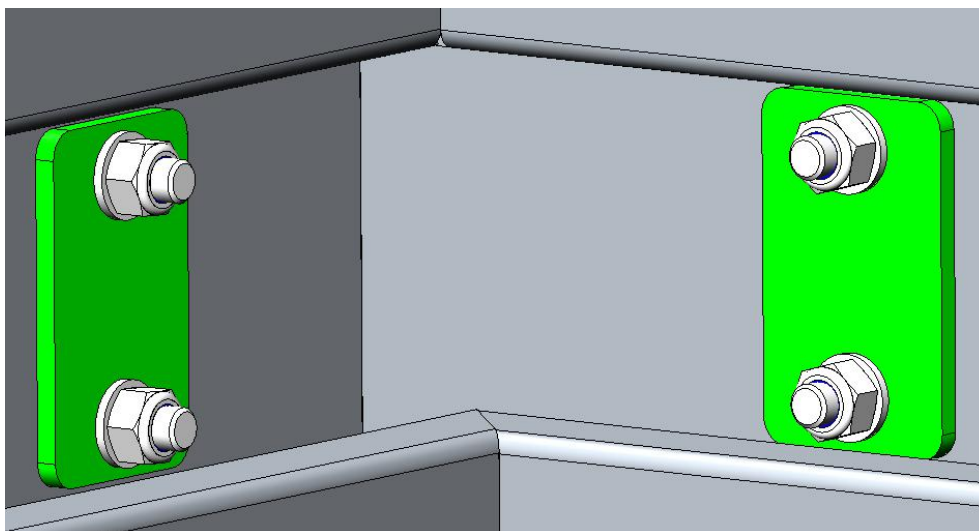
Apply unbroken beads of sealant around all of the laser cut holes, as well as making an unbroken bead around the perimeter, within the bounds of where the corner bracket will mount (AWN-CPR-000-006). See the image below:



Align Awn-CPR-000-006 with the laser cut holes at the rear left hand corner of the Canopy Camper or Khaya, as shown in the image below:



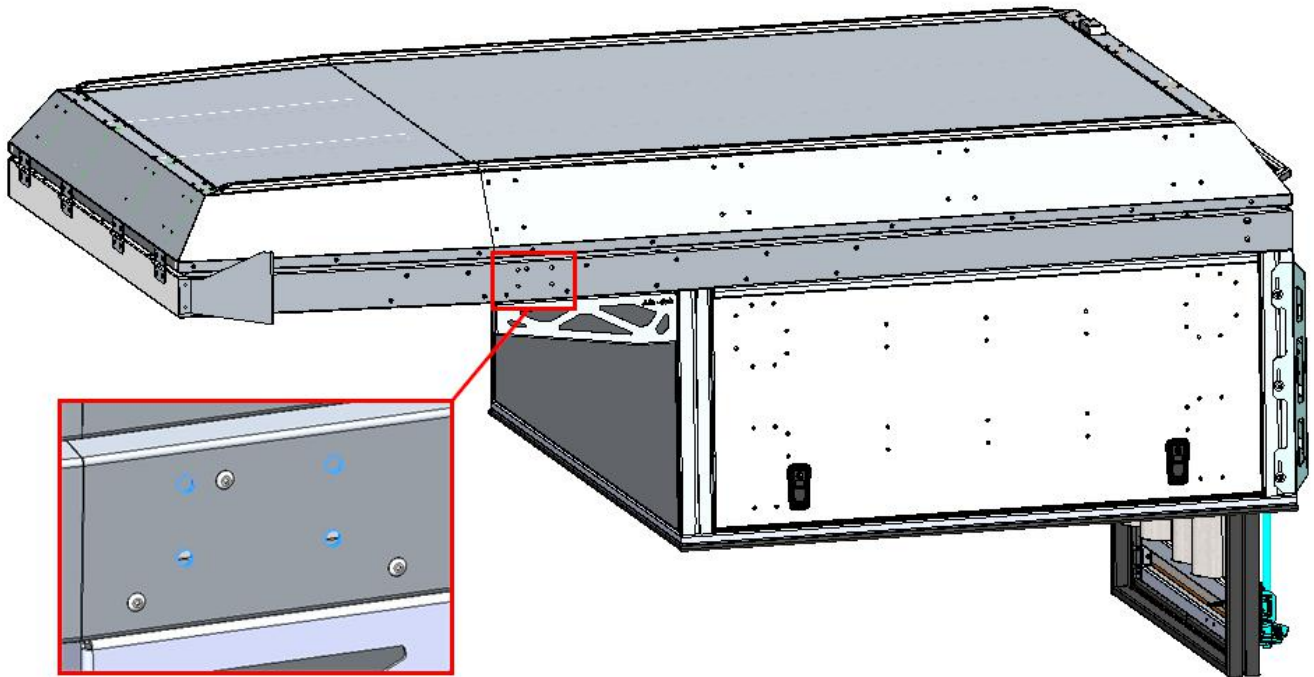
When inserting the fasteners, in the stack up order indicated under the section *Component Identification*, ensure that the two (2) plates, Awn-CPR-000-003, are aligned on the inside surface, as shown in the image below:



After tightening up the fasteners, wipe away any excess sealant that has squeezed out past the brackets, on the outside surfaces. The preferred cleaning agent is a 50-50 mixture of isopropyl alcohol and water. Refrain from using harsh chemicals, as they may damage the powder coating.

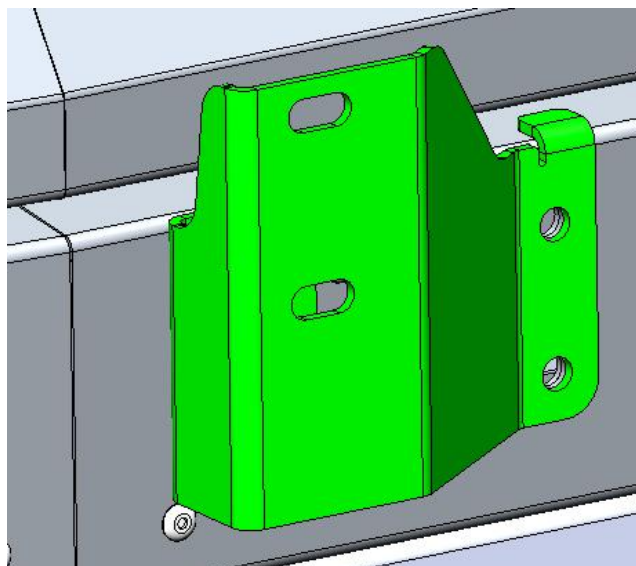
3. Fitment of Front Mounting Bracket

Locate the front four (4) laser cut holes in the roof top tent's base, as shown in the image below:



Apply unbroken beads of sealant around all of the laser cut holes, as well as making an unbroken bead around the perimeter, within the bounds of where the bracket will mount (AWN-CPR-000-007). Use the same technique, as described in *Fitment of Rear Mounting Bracket*.

Align Awn-CPR-000-007 with the laser cut holes at the front of the Canopy Camper or Khaya, as shown in the image below:

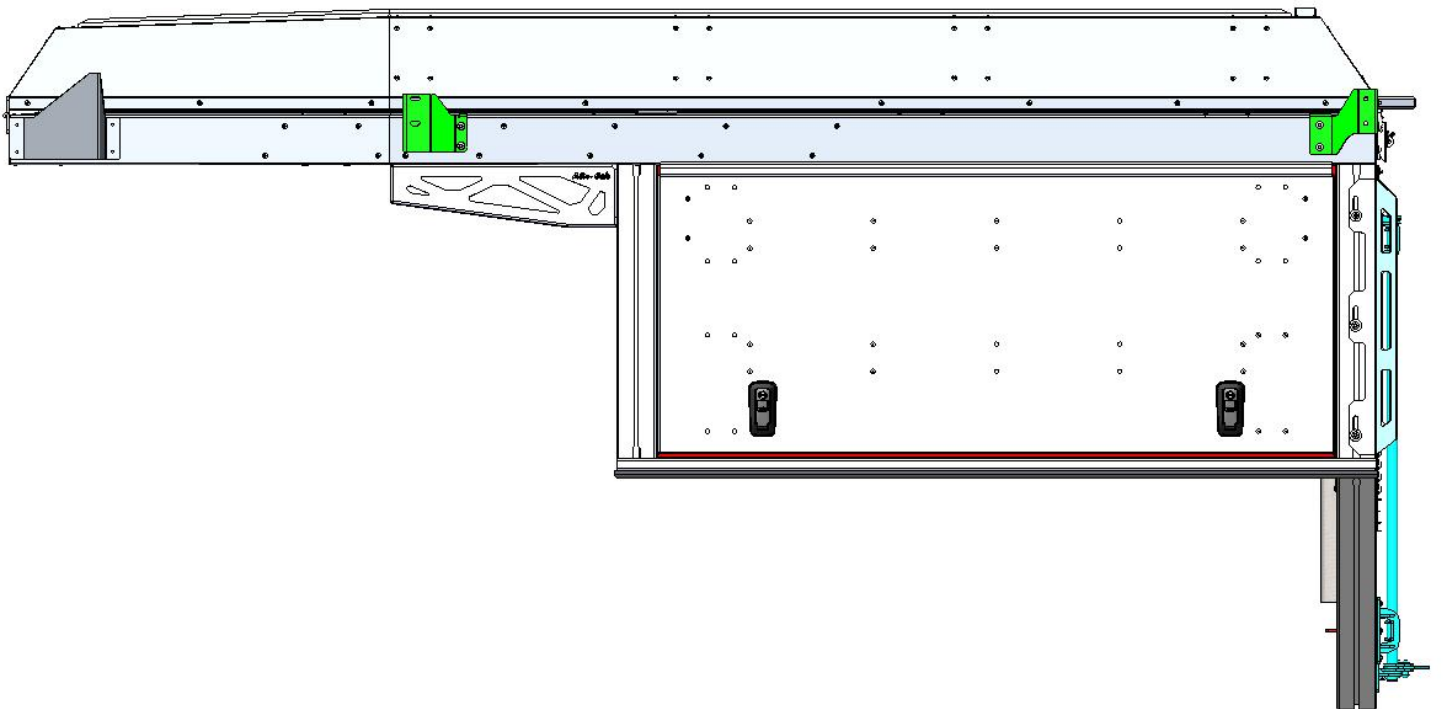


Insert the fasteners, using the information found in the section *Component Identification*, for reference.

Hex head bolts are used in the furthestmost forward two (2) holes, and Button head bolts, in the other two (2). There is no backing plate required for this bracket, as the frame of the base unit is stiffened in this area.

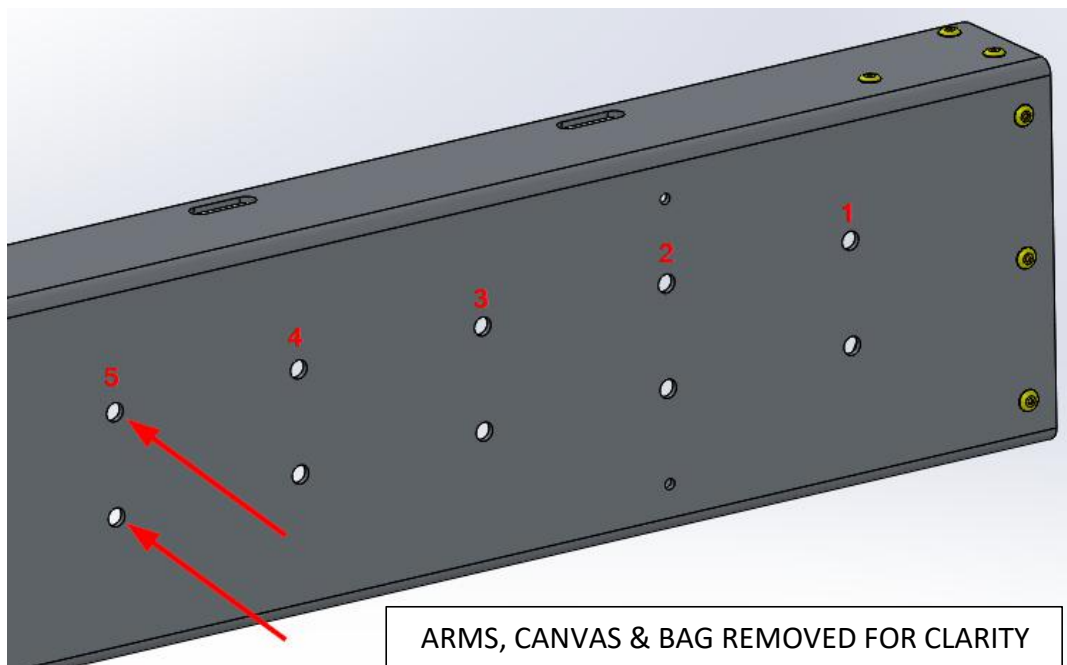
After tightening up the fasteners, wipe away any excess sealant that has squeezed out past the brackets, on the outside surfaces. The preferred cleaning agent is a 50-50 mixture of isopropyl alcohol and water. Refrain from using harsh chemicals, as they may damage the powder coating.

The mounted assembly will look like the image below:

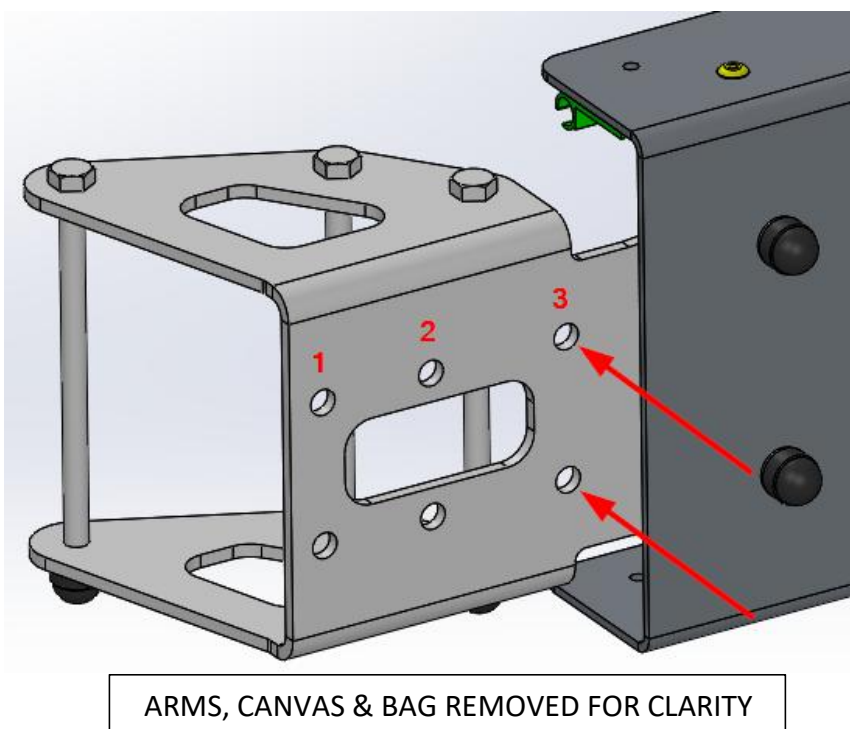


4. Fitment of Shadow Awning to Mounting Brackets

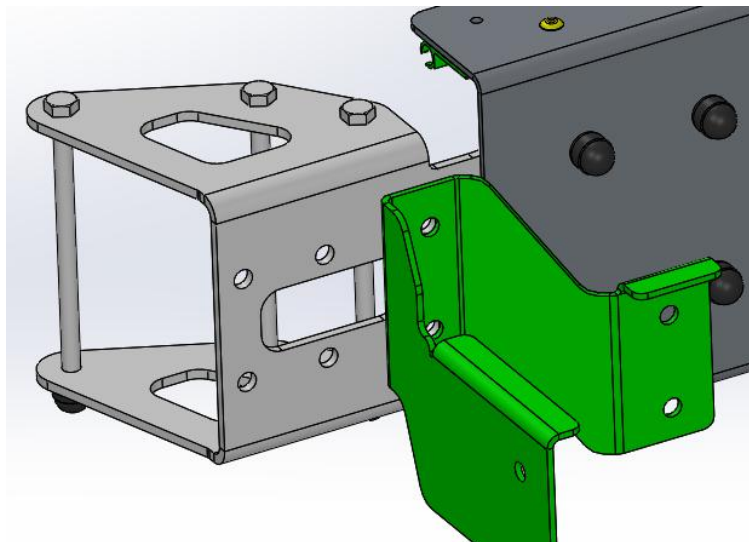
Unzip the Shadow Awning bag, and start to pivot the arms outwards, as if opening the awning fully. Count the pairs of holes, starting from the front. The bag will need to be drilled through, at hole pair five (5), as shown in the image below. Ensure that the arms, and/or canvas is safely out of the way before drilling. Use an $\Phi 8.5$ mm drill bit.



At the rear of the Shadow Awning, at the pivot point plate, count the hole pairs from the rear, and drill through the bag at hole pair three (3), as shown in the image below. Ensure that the arms, and/or canvas is safely out of the way before drilling. Use an $\Phi 8.5$ mm drill bit.

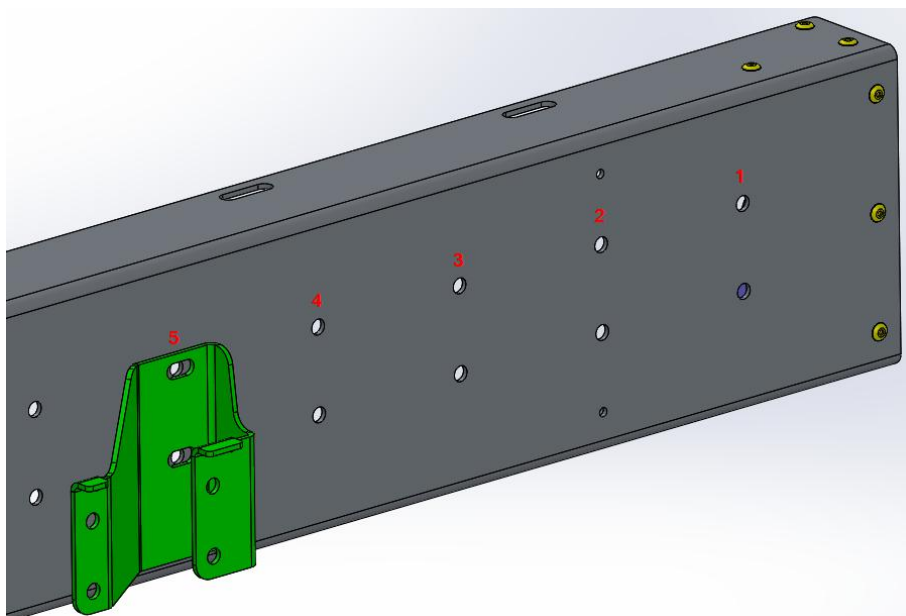


Align the rear of the Shadow Awning, with the installed rear corner bracket, as shown below. Insert the fasteners, as per the section *Component Identification*, do not fully tighten the fasteners.



COMPONENTS REMOVED FOR CLARITY

Align the front of the Shadow Awning, with the installed front bracket, as shown below. Insert the fasteners, as per the section *Component Identification*. Ensure that the awning is seated correctly, and not leaning forwards or backwards. Tighten these fasteners, and then tighten the fasteners on the rear corner bracket.



Once mounted, the awning will align with the Canopy Camper or Khaya, as shown below (Arms, canvas and bag removed for clarity):

