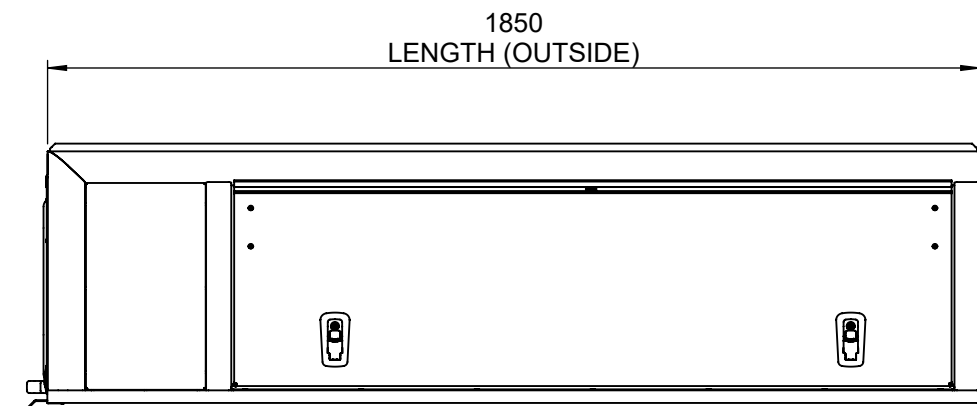
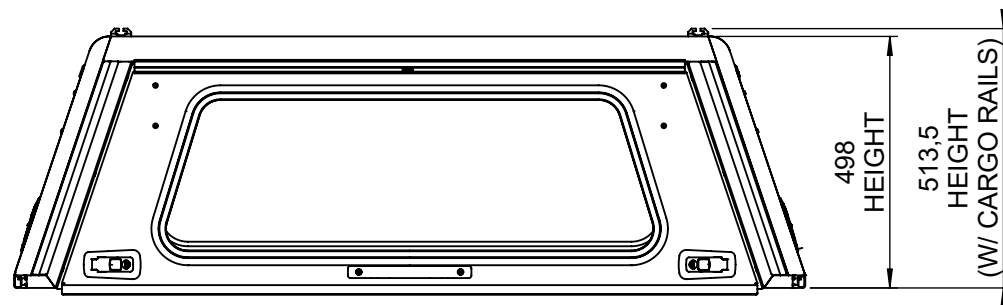
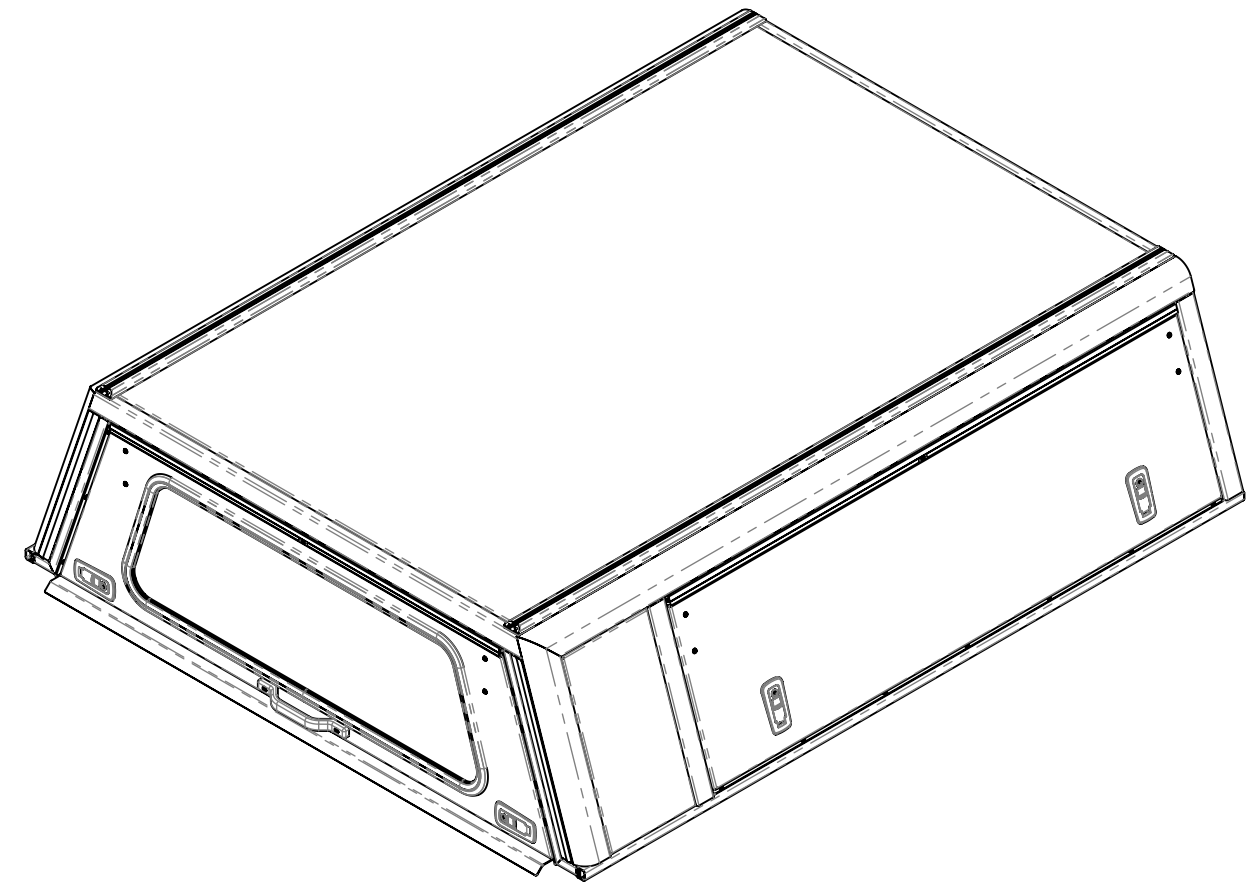
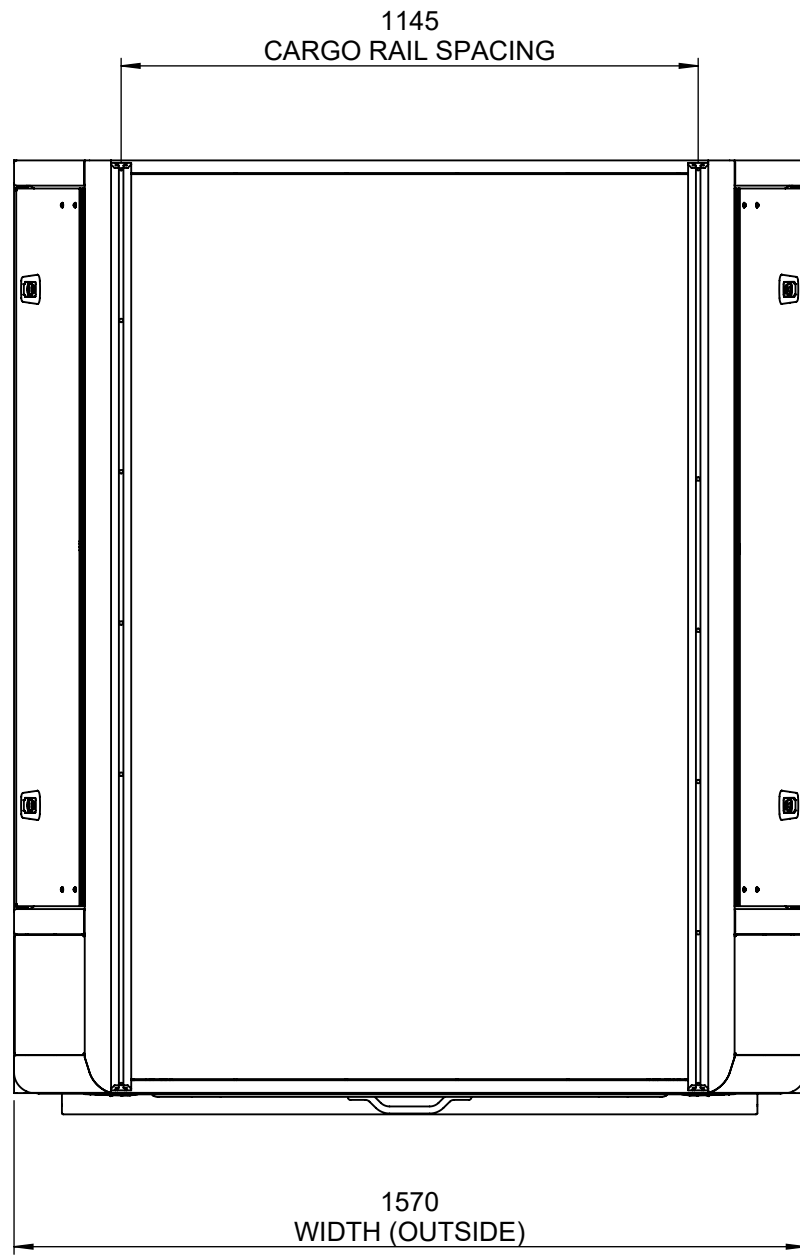


# GENERAL ARRANGEMENT ONLY



TOLERANCES TO ASSUME  
UNLESS INDICATED OTHERWISE

| NOM DIMENSION | RANGE (mm) | TOLERANCE |
|---------------|------------|-----------|
| 0.50          | - 3.00     | ± 0.10    |
| 3.00          | - 6.00     | ± 0.15    |
| 6.00          | - 30       | ± 0.20    |
| 30            | - 120      | ± 0.30    |
| 120           | - 400      | ± 0.50    |
| 400           | - 1000     | ± 1.00    |
| 1000          | - 1000<    | ± 2.00    |

DESCRIPTION:

FORD RANGER XC - GA

PROJECT:

EXPLORER CANOPY

DRAWN BY:  
B NEEDHAM

DATE:  
05.05.20

THE INFORMATION CONTAINED WITHIN THIS DOCUMENT  
IS THE INTELLECTUAL PROPERTY OF ALU-CAB (PTY) LTD

SHEET:  
A3

SHEET  
1 of 1

SCALE:  
1:15

**Alu-Cab**<sup>TM</sup>  
ULTIMATE OVERLAND PRODUCTS

DRAWING NO.

EX CANOPY GA - FORD RANGER XC

REV

00

## REVISIONS

| REV. | DESCRIPTION | ECO | DATE | APPROVED |
|------|-------------|-----|------|----------|
| 1    |             |     |      |          |
| 2    |             |     |      |          |
| 3    |             |     |      |          |
| 4    |             |     |      |          |
| 5    |             |     |      |          |