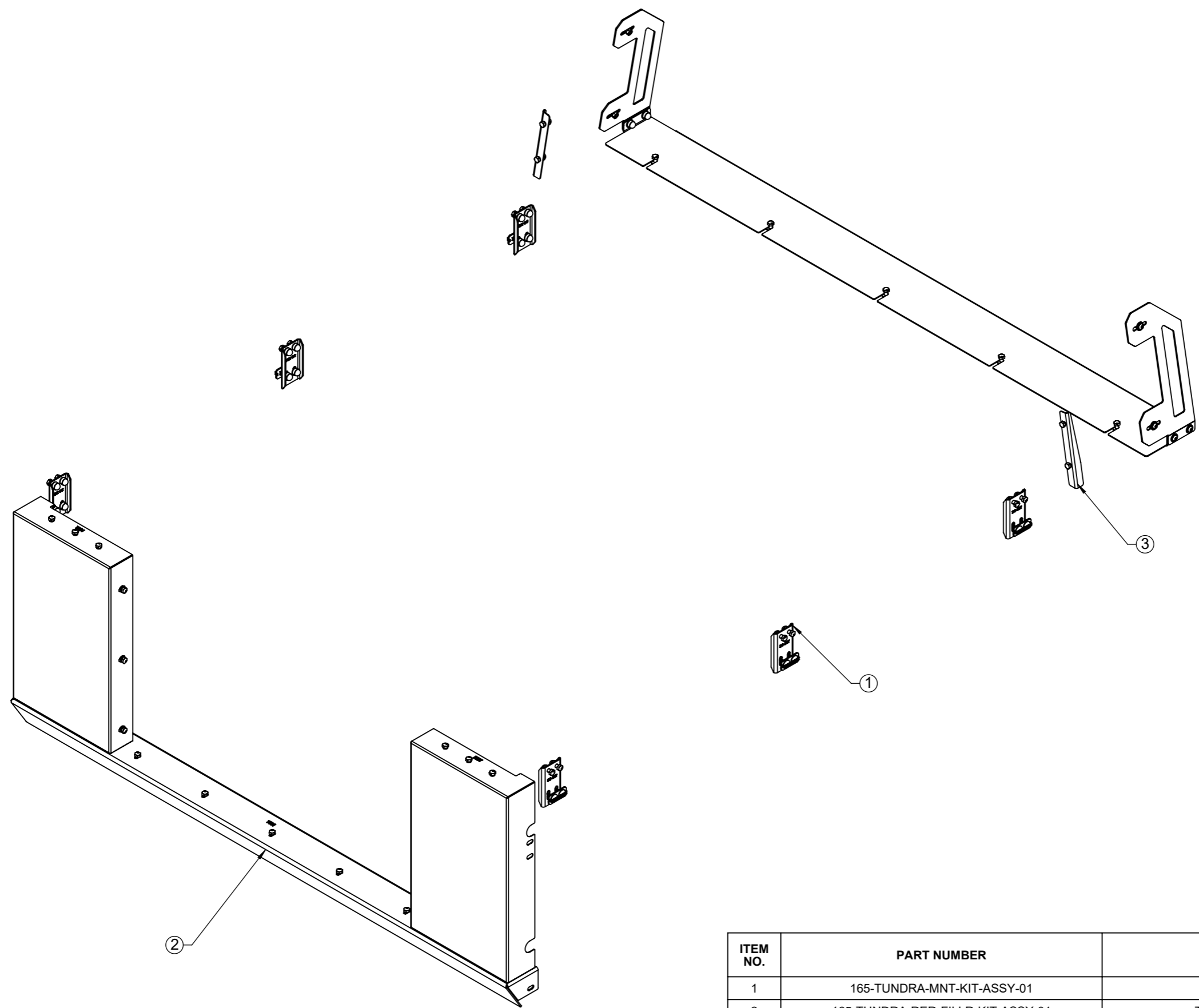


ASSY INFO	MASS (kg):	43.941
	BONDED:	
	FASTENED:	Y
FINISH	WELDED:	
	TUMBLED:	
	BRUSHED:	
	POWDER:	
	SPRAY:	
	COLOUR:	N/A

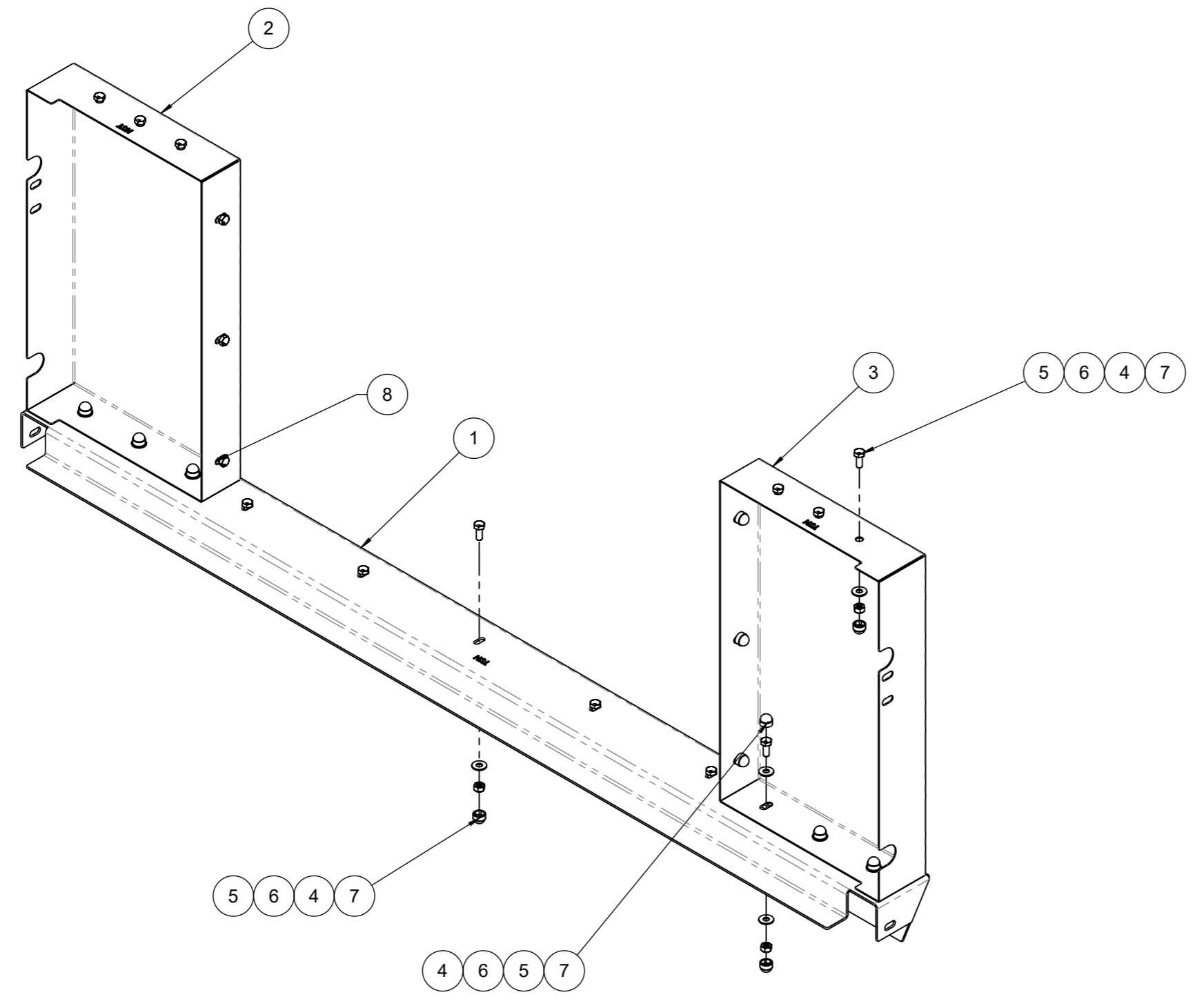


ITEM NO.	PART NUMBER	DESCRIPTION	QTY
1	165-TUNDRA-MNT-KIT-ASSY-01	MOUNT KIT MAIN ASSEMBLY	1
2	165-TUNDRA-RER-FILLR-KIT-ASSY-01	TUNDRA REAR FILLER KIT ASSEMBLY	1
3	165-TUNDRA-FNT-FLLR-KIT-ASSY-01	TUNDRA FRONT FILLER KIT ASSEMBLY	1
4	BX-CCFK-FS	CANOPY CAMPER FILLER KIT BOX - FULL SIZE - 720 x 160 x 1950	1

<b>TOLERANCES TO ASSUME UNLESS INDICATED OTHERWISE</b> <table border="1"> <thead> <tr> <th>NOM DIMENSION</th> <th>RANGE (mm)</th> <th>TOLERANCE</th> </tr> </thead> <tbody> <tr> <td>0.50</td> <td>- 3.00</td> <td>± 0.10</td> </tr> <tr> <td>3.00</td> <td>- 6.00</td> <td>± 0.15</td> </tr> <tr> <td>6.00</td> <td>- 30</td> <td>± 0.20</td> </tr> <tr> <td>30</td> <td>- 120</td> <td>± 0.30</td> </tr> <tr> <td>120</td> <td>- 400</td> <td>± 0.50</td> </tr> <tr> <td>400</td> <td>- 1000</td> <td>± 1.00</td> </tr> <tr> <td>1000</td> <td>- 1000&lt;</td> <td>± 2.00</td> </tr> </tbody> </table>		NOM DIMENSION	RANGE (mm)	TOLERANCE	0.50	- 3.00	± 0.10	3.00	- 6.00	± 0.15	6.00	- 30	± 0.20	30	- 120	± 0.30	120	- 400	± 0.50	400	- 1000	± 1.00	1000	- 1000<	± 2.00	DESCRIPTION: <b>TUNDRA MOUNT AND FILL KIT MAIN ASSEMBLY</b>  PROJECT: <b>165 - M &amp; F KIT - TUNDRA</b>	SHEET: A3  SCALE: 1:10  SHEET 1 of 4	
NOM DIMENSION	RANGE (mm)	TOLERANCE																										
0.50	- 3.00	± 0.10																										
3.00	- 6.00	± 0.15																										
6.00	- 30	± 0.20																										
30	- 120	± 0.30																										
120	- 400	± 0.50																										
400	- 1000	± 1.00																										
1000	- 1000<	± 2.00																										
DRAWN BY: Luke Miller  DATE: 2021-11-10	DRAWING NO. <b>CC-FK-TUN</b>	REV <b>04</b>																										

REVISIONS			
REV.	DESCRIPTION	DATE	APPROVED
03		2022-03-07	System Administrator
04		2022-05-31	System Administrator

ASSY INFO	MASS (kg):	
	BONDED:	Y
	FASTENED:	Y
FINISH	WELDED:	
	TUMBLED:	
	BRUSHED:	
	POWDER:	
	SPRAY:	
	COLOUR:	N/A



ITEM NO.	PART NUMBER	DESCRIPTION	QTY
1	165-TUNDRA-FILL-KIT-BSE-PLTE-01	TUNDRA FILLER KIT BASE PLATE	1
2	165-TUNDRA-FILL-KIT-RHT-PLTE-01	TUNDRA FILLER KIT RIGHT BOX	1
3	165-TUNDRA-FILL-KIT-LFT-PLTE-01	TUNDRA FILLER KIT LEFT BOX	1
4	NY-M8	M8 NYLOC NUT S/S	23
5	HEX-M8x20	M8x20 HEX BOLT S/S	23
6	FFW-M8	M8x20mm OVERSIZED WASHER S/S - DIN 9021	23
7	NCAP-M8	NUT CAP-08mm	29
8	FW-M8	M8x16mm FLAT WASHER S/S - DIN 125	6

TOLERANCES TO ASSUME UNLESS INDICATED OTHERWISE

NOM DIMENSION RANGE (mm)	TOLERANCE
0.50 - 3.00	± 0.10
3.00 - 6.00	± 0.15
6.00 - 30	± 0.20
30 - 120	± 0.30
120 - 400	± 0.50
400 - 1000	± 1.00
1000 - 1000<	± 2.00

DESCRIPTION:  
**TUNDRA REAR FILLER KIT ASSEMBLY**

PROJECT:  
**165 - M & F KIT - TUNDRA**

DRAWN BY:  
System Administrator

DATE:  
2021-11-10

THE INFORMATION CONTAINED WITHIN THIS DOCUMENT IS THE INTELLECTUAL PROPERTY OF ALU-CAB (PTY) LTD

SHEET:  
A3

SCALE:  
1:7

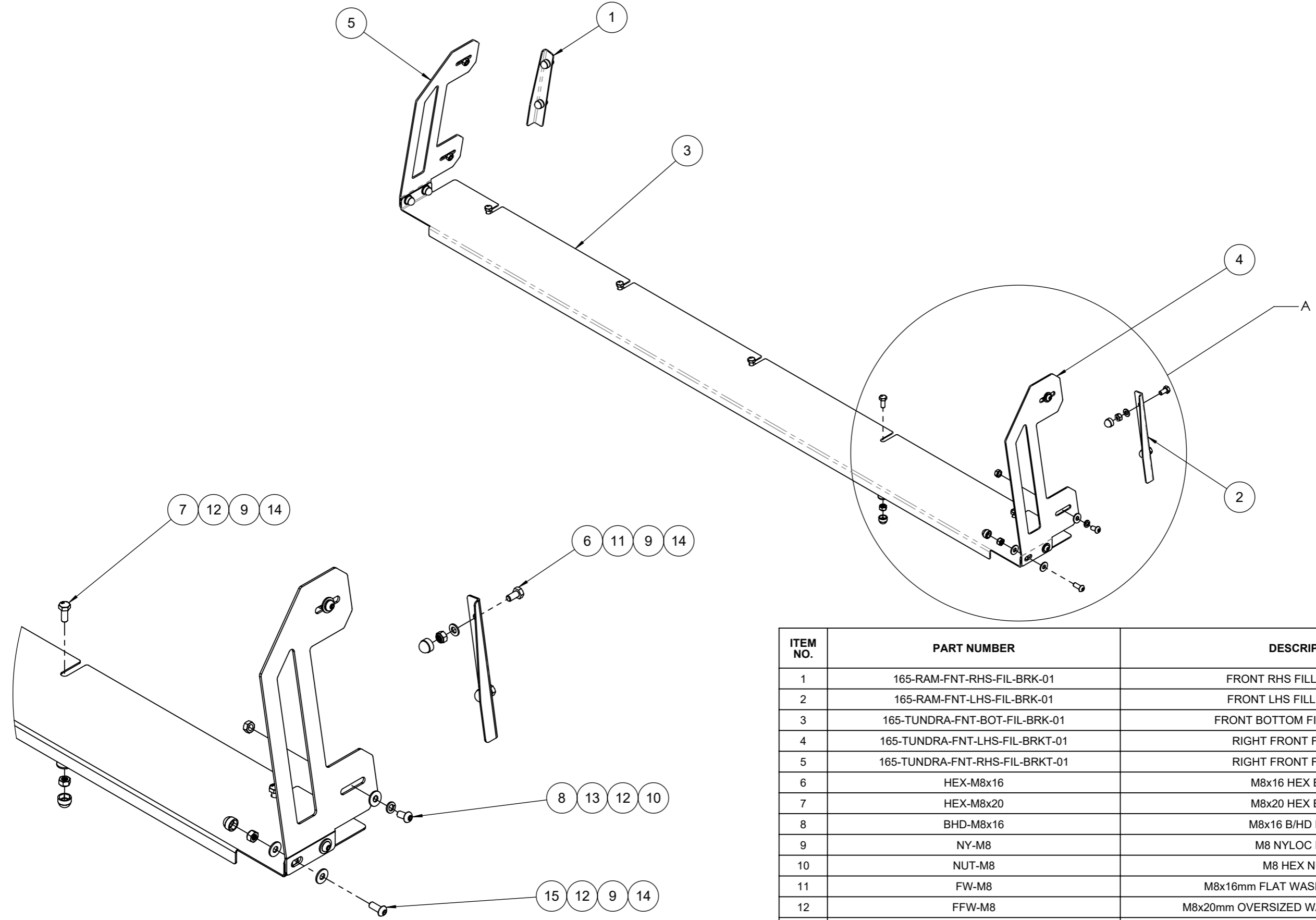
SHEET  
2 of 4

DRAWING NO.  
**CC-FK-TUN**



REV  
**04**

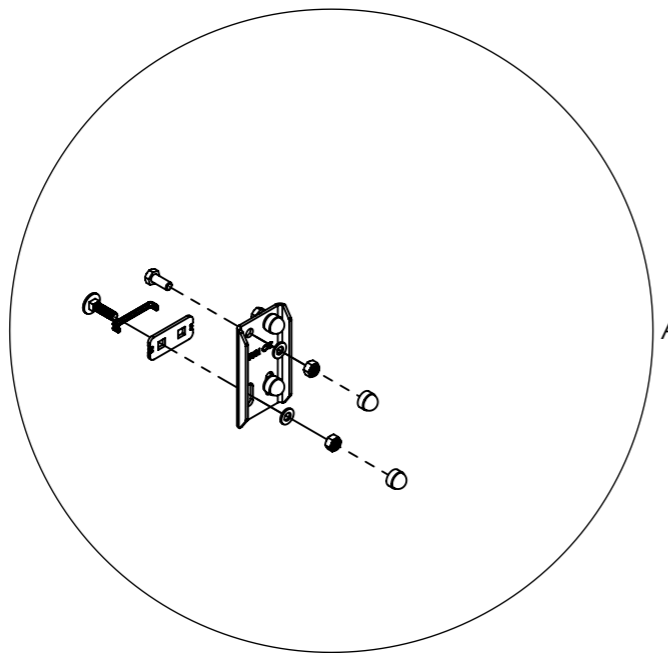
ASSY INFO	MASS (kg):	
	BONDED:	
	FASTENED:	
FINISH	WELDED:	
	TUMBLED:	
	BRUSHED:	
	POWDER:	
	SPRAY:	
	COLOUR:	N/A



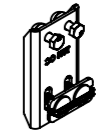
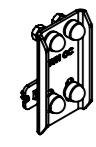
DETAIL A  
SCALE 1:5

ITEM NO.	PART NUMBER	DESCRIPTION	QTY
1	165-RAM-FNT-RHS-FIL-BRK-01	FRONT RHS FILLER BRACKET	1
2	165-RAM-FNT-LHS-FIL-BRK-01	FRONT LHS FILLER BRACKET	1
3	165-TUNDRA-FNT-BOT-FIL-BRK-01	FRONT BOTTOM FILLER BRACKET	1
4	165-TUNDRA-FNT-LHS-FIL-BRKT-01	RIGHT FRONT FILLER BRKT	1
5	165-TUNDRA-FNT-RHS-FIL-BRKT-01	RIGHT FRONT FILLER BRKT	1
6	HEX-M8x16	M8x16 HEX BOLT S/S	4
7	HEX-M8x20	M8x20 HEX BOLT S/S	5
8	BHD-M8x16	M8x16 B/HD BOLT S/S	4
9	NY-M8	M8 NYLOC NUT S/S	13
10	NUT-M8	M8 HEX NUT S/S	4
11	FW-M8	M8x16mm FLAT WASHER S/S - DIN 125	4
12	FFW-M8	M8x20mm OVERSIZED WASHER S/S - DIN 9021	17
13	SW-M8	M8 SPRING WASHER S/S	4
14	NCAP-M8	NUT CAP-08mm	13
15	BHD-M8x20	M8x20 B/HD BOLT S/S	4

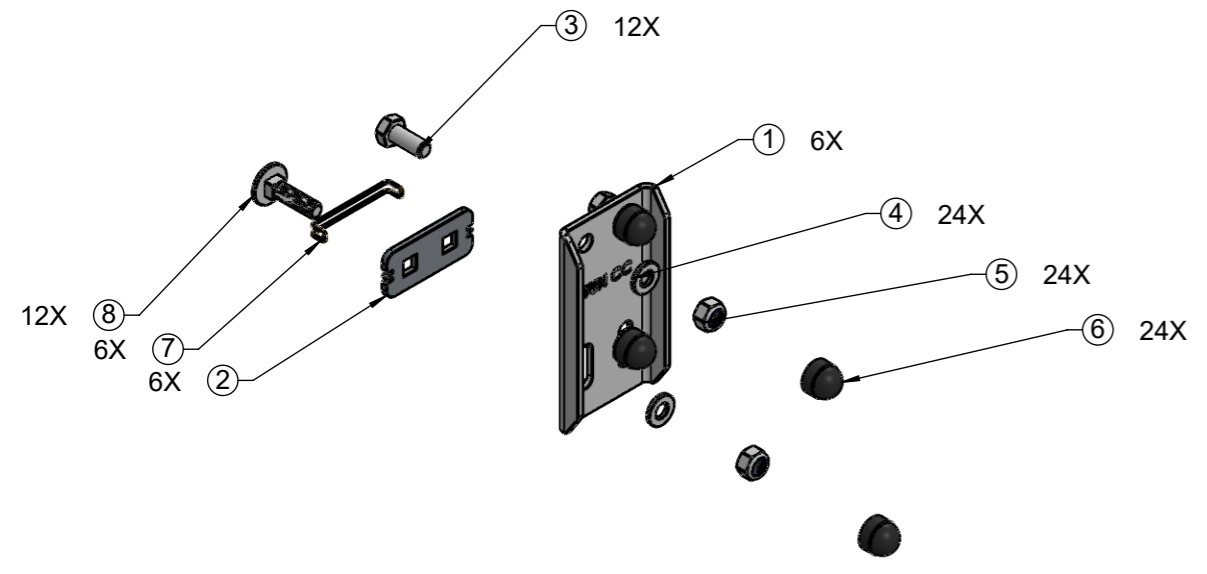
<p>TOLERANCES TO ASSUME UNLESS INDICATED OTHERWISE</p> <table border="1"> <thead> <tr> <th>NOM DIMENSION RANGE (mm)</th> <th>TOLERANCE</th> </tr> </thead> <tbody> <tr> <td>0.50 - 3.00</td> <td>± 0.10</td> </tr> <tr> <td>3.00 - 6.00</td> <td>± 0.15</td> </tr> <tr> <td>6.00 - 30</td> <td>± 0.20</td> </tr> <tr> <td>30 - 120</td> <td>± 0.30</td> </tr> <tr> <td>120 - 400</td> <td>± 0.50</td> </tr> <tr> <td>400 - 1000</td> <td>± 1.00</td> </tr> <tr> <td>1000 - 1000&lt;</td> <td>± 2.00</td> </tr> </tbody> </table>		NOM DIMENSION RANGE (mm)	TOLERANCE	0.50 - 3.00	± 0.10	3.00 - 6.00	± 0.15	6.00 - 30	± 0.20	30 - 120	± 0.30	120 - 400	± 0.50	400 - 1000	± 1.00	1000 - 1000<	± 2.00	<p>DESCRIPTION: <b>TUNDRA FRONT FILLER KIT ASSEMBLY</b></p> <p>PROJECT: <b>165 - M &amp; F KIT - TUNDRA</b></p>		<p>SHEET: A3</p> <p>SCALE: 1:8</p> <p>SHEET 3 of 4</p>		<p>ULTIMATE OVERLAND PRODUCTS</p>	
NOM DIMENSION RANGE (mm)	TOLERANCE																						
0.50 - 3.00	± 0.10																						
3.00 - 6.00	± 0.15																						
6.00 - 30	± 0.20																						
30 - 120	± 0.30																						
120 - 400	± 0.50																						
400 - 1000	± 1.00																						
1000 - 1000<	± 2.00																						
<p>DRAWN BY: System Administrator</p> <p>DATE: 2021-11-10</p> <p>THE INFORMATION CONTAINED WITHIN THIS DOCUMENT IS THE INTELLECTUAL PROPERTY OF ALU-CAB (PTY) LTD</p>		<p>DRAWING NO. <b>CC-FK-TUN</b></p>		<p>REV <b>04</b></p>																			



ASSY INFO	MASS (kg):	43.941
	BONDED:	
	FASTENED:	Y
FINISH	TUMBLED:	
	BRUSHED:	
	POWDER:	
	SPRAY:	
COLOUR:	N/A	



DETAIL A SCALE 2 : 7



ITEM NO.	PART NUMBER	DESCRIPTION	QTY
1	165-TUNDRA-VERT-MNT-BRKT-01	VERTICAL MOUNT BRACKET	6
2	TT-NUT-PLT-01	NUT PLATE	6
3	HEX-M8x20	M8x20 HEX BOLT S/S	12
4	FW-M8	M8x16mm FLAT WASHER S/S - DIN 125	24
5	NY-M8	M8 NYLOC NUT S/S	24
6	NCAP-M8	NUT CAP-08mm	24
7	ELAS-BAND-14	ELASTIC BAND NO.6	6
8	SQN-M8x30	M8x30 CUP SQ BOLT S/S	12

TOLERANCES TO ASSUME UNLESS INDICATED OTHERWISE	
NOM DIMENSION RANGE (mm)	TOLERANCE
0.50 - 3.00	± 0.10
3.00 - 6.00	± 0.15
6.00 - 30	± 0.20
30 - 120	± 0.30
120 - 400	± 0.50
400 - 1000	± 1.00
1000 - 1000<	± 2.00

DESCRIPTION:  
**TUNDRA MOUNT AND FILL KIT MAIN ASSEMBLY**

PROJECT:  
**165 - M & F KIT - TUNDRA**

DRAWN BY:  
Luke Miller

DATE:  
2021-11-10

THE INFORMATION CONTAINED WITHIN THIS DOCUMENT IS THE INTELLECTUAL PROPERTY OF ALU-CAB (PTY) LTD

SHEET:  
A3

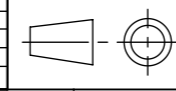
SCALE:  
1:7

SHEET  
4 of 4



REVISIONS

REV.	DESCRIPTION	DATE	APPROVED
00	RELEASED FOR PRODUCTION	2021-10-29	Gerrit Joubert



DRAWING NO.  
**CC-FK-TUN**

REV  
**04**