

# FITMENT INSTRUCTIONS

**Alu-Cab**<sup>™</sup>



## FORD RANGER CANOPY CAMPER FITMENT INSTRUCTION

All rights reserved. No part of this document may be reproduced, translated, stored in a retrieval system, or transmitted, in any form or by any means, electronic, mechanical, photocopying, recording or otherwise, without prior written permission of the owner.

Review all instructions information carefully before installation.

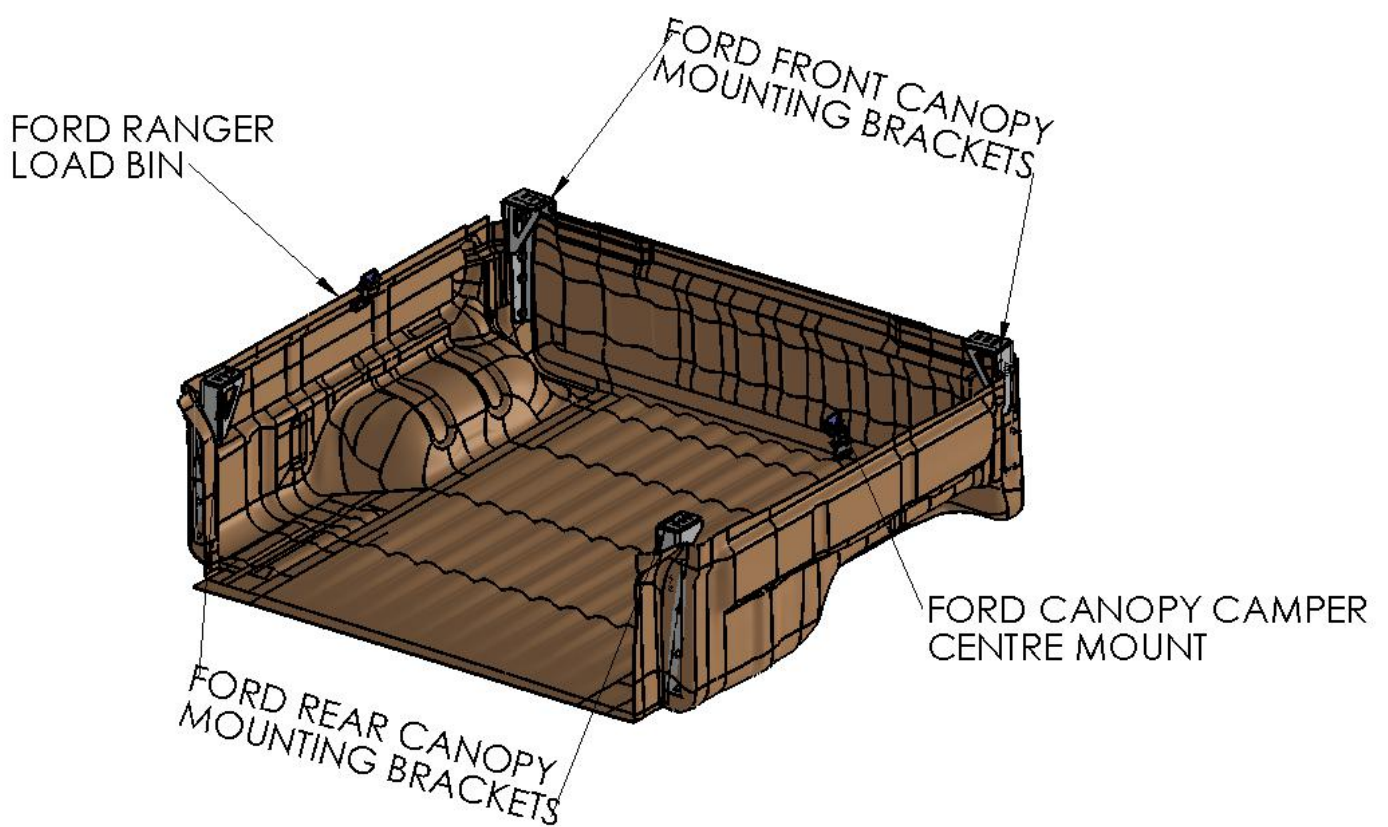
Any damages, direct or incidental to the installer and/or property due to incorrect installation of any parts are the responsibility of the installer. Due to the various applications and fitment options available, the responsibility lies with the user to ensure all mounting points are secure and tight before every trip. If unsure, consult with your Distributor regarding the operations of our products.

Users are advised to be mindful of the load they are carrying and drive in accordance with road conditions.

DISCLAIMER

**Alu-Cab**

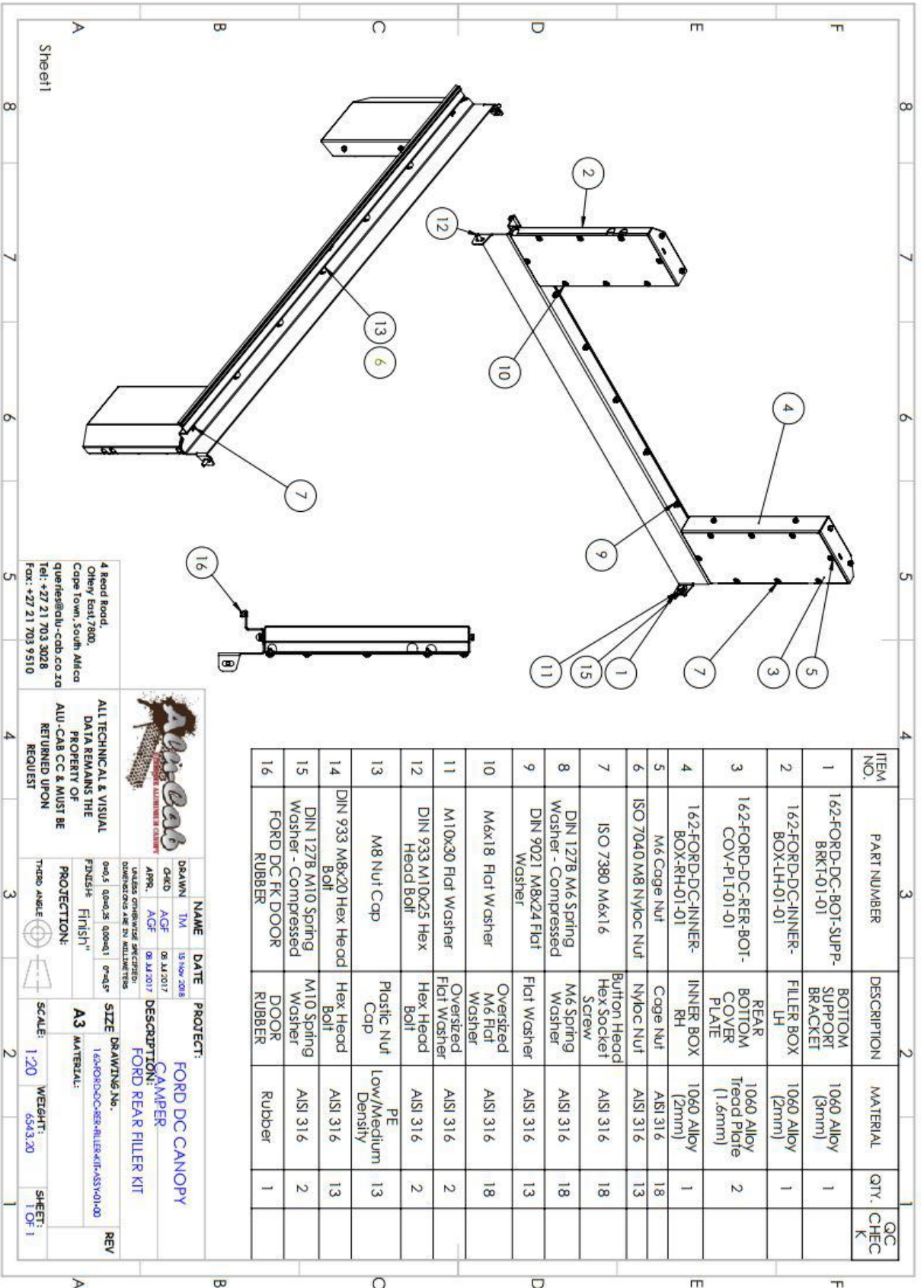
1. Fit the supplied Ford Canopy mounting brackets to existing holes in load bin as shown. See Ford Canopy fitment instruction below.



**WARNING**

Always wear appropriate PPE ( Personal protection equipment) when fitting this product. Although the mounting kit is designed to be DIY, if you have any doubts or concerns, contact an accredited fitment centre to carry out the work. Alu-Cab will not be liable for any injury to persons, and/or damage to products and/or vehicles.

# DOUBLE CAB



ITEM NO.	PART NUMBER	DESCRIPTION	MATERIAL	QTY.	QC CHECK
1	162-FORD-DC-BOT-SUPP-BRKT-01-01	BOTTOM SUPPORT BRACKET	1060 Alloy (3mm)	1	
2	162-FORD-DC-INNER-BOX-LH-01-01	FILLER BOX LH	1060 Alloy (2mm)	1	
3	162-FORD-DC-RER-BOT-COV-PLI-01-01	REAR BOTTOM COVER PLATE	1060 Alloy Tread Plate (1.6mm)	2	
4	162-FORD-DC-INNER-BOX-RH-01-01	INNER BOX RH	1060 Alloy (2mm)	1	
5	M6 Cage Nut	Cage Nut	AlSi 316	18	
6	ISO 7040 M8 Nyloc Nut	Nyloc Nut	AlSi 316	13	
7	ISO 7380 M6x16	Button Head Hex Socket Screw	AlSi 316	18	
8	DIN 127B M6 Spring Washer - Compressed	M6 Spring Washer	AlSi 316	18	
9	DIN 9021 M8x24 Flat Washer	Flat Washer	AlSi 316	13	
10	M6x18 Flat Washer	Oversized M6 Flat Washer	AlSi 316	18	
11	M10x30 Flat Washer	Oversized Flat Washer	AlSi 316	2	
12	DIN 933 M10x25 Hex Head Bolt	Hex Head Bolt	AlSi 316	2	
13	M8 Nut Cap	Plastic Nut Cap	PE Low/Medium Density	13	
14	DIN 933 M8x20 Hex Head Bolt	Hex Head Bolt	AlSi 316	13	
15	DIN 127B M10 Spring Washer - Compressed	M10 Spring Washer	AlSi 316	2	
16	FORD DC FK DOOR RUBBER	DOOR RUBBER	Rubber	1	

4 Reed Road,  
Oley East, 7800,  
Cape Town, South Africa  
quefies@alu-cab.co.za  
Tel: +27 21 703 3028  
Fax: +27 21 703 9510



ALL TECHNICAL & VISUAL DATA REMAINS THE PROPERTY OF ALU-CAB CC & MUST BE RETURNED UPON REQUEST

NAME	DATE	PROJECT:
DRAWN: TM	15 Nov 2018	FORD DC CANOPY
CHKD: ACF	08 Jul 2017	CAMPER
APPR: ACF	08 Jul 2017	DESCRIPTION:
FORD REAR FILLER KIT		
UNLESS OTHERWISE SPECIFIED, DIMENSIONS ARE IN MILLIMETRES		
SIZE	DRAWING No.	REV
A3	162-FORD-DC-RER-ALU-INT-ASSY-01-00	
MATERIAL:		
SCALE:	1:20	WEIGHT:
		6543,20
T-RIBD ANGLE:		SHEET:
		1 OF 1

# EXTRA CAB

RELEASED FOR MANUFACTURE		DATE	SIGNED
09 September 2019			

ITEM NO.	PART NUMBER	DESCRIPTION	MATERIAL	QTY.	QC CHECK
1	162-FORD-XC-BOI-SUPP-BRKT-01	BOTTOM SUPPORT BRACKET	1060 Alloy (3mm)	1	
2	162-FORD-XC-CG-INNER-BOX-LH-01	INNER BOX LH	1060 Alloy/Tread Plate (1.6mm)	1	
3	162-FORD-XC-CG-INNER-BOX-RH-01	INNER BOX RH	1060 Alloy/Tread Plate (1.6mm)	1	
4	Ford XC Side Rubber Seal	Slide Rubber Seal	Rubber	2	
5	DIN 933 M8x20 Hex Head Bolt	Hex Head Bolt	AlSi 316	13	
6	DIN 9021 M8x24 Flat Washer	Flat Washer	AlSi 316	13	
7	ISO 7040 M8 Nyloc Nut	Nyloc Nut	AlSi 316	13	
8	M8 Nut Cap	Plastic Nut Cap	PE Low/Medium Density	13	
9	47105 M6 Cogge Nut	Cogge Nut	Zinc Plated Steel	2	
10	ISO 7380 M6x16	Button Head Hex Socket Screw	AlSi 316	2	
11	M6x18 Flat Washer	Oversized M6 Flat Washer	AlSi 316	2	
12	DIN 127B M6 Spring Washer - Compressed	M6 Spring Washer	AlSi 316	2	
13	M10x2.5 Hex Head Bolt	Hex Head Bolt	AlSi 316	2	
14	M10x30 Flat Washer	Oversized Flat Washer	AlSi 316	2	
15	DIN 127B M10 Spring Washer - Compressed	M10 Spring Washer	AlSi 316	2	

<b>NAME</b>	TIM	<b>DATE</b>	23 Jul 2019	<b>PROJECT:</b>	FORD XC CANOPY CAMPER
<b>DRAWN</b>	TM	<b>DATE</b>	23 Jul 2019	<b>DESCRIPTION:</b>	REAR FILLER KIT ASSY
<b>CHKD</b>	AGF	<b>DATE</b>	08 Jul 2017	<b>SIZE</b>	DRAWING No. 162-FORD-XC-REAR-FILLER-KIT-ASSY-01
<b>APPR.</b>	AGF	<b>DATE</b>	08 Jul 2017	<b>MATERIAL:</b>	A3
<b>FINISH:</b> Finish					
<b>PROJECTION:</b> THERD ANGLE					
<b>SCALE:</b> 1:20					
<b>WEIGHT:</b> 3.9					
<b>SHEET:</b> 1 OF 1					

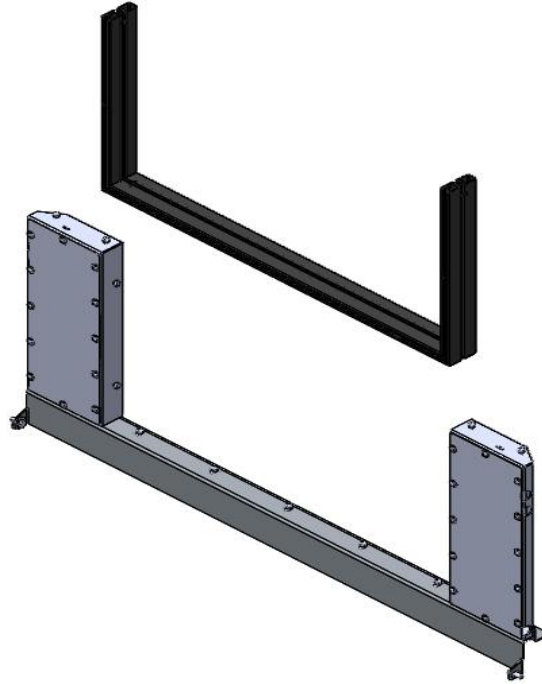
  

4 Reed Road, Ohney East/7800, Cape Town, South Africa  
 quent@du-cab.co.za  
 Tel: +27 21 703 3028  
 Fax: +27 21 703 9510

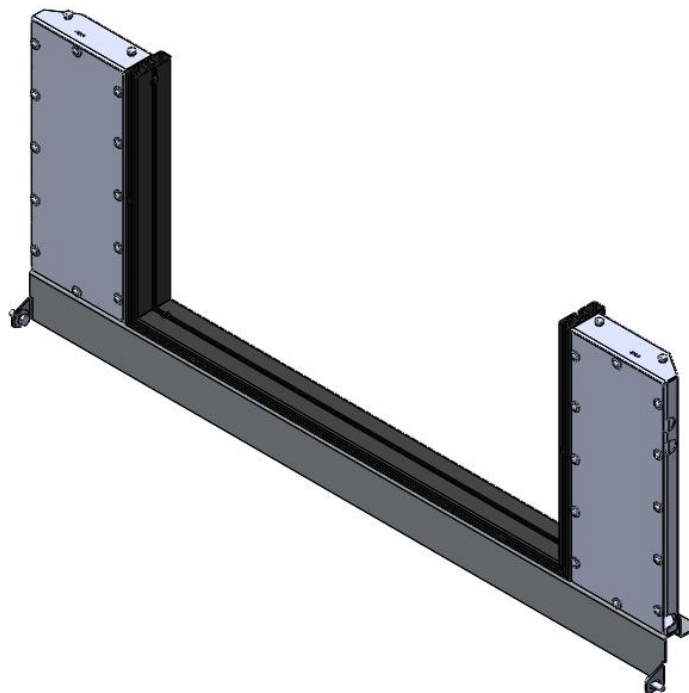
ALL TECHNICAL & VISUAL DATA REMAINS THE PROPERTY OF ALL-CAB & CC & MUST BE RETURNED UPON REQUEST

**162-CAB**  
 162-FORD-XC-REAR-FILLER-KIT-ASSY-01

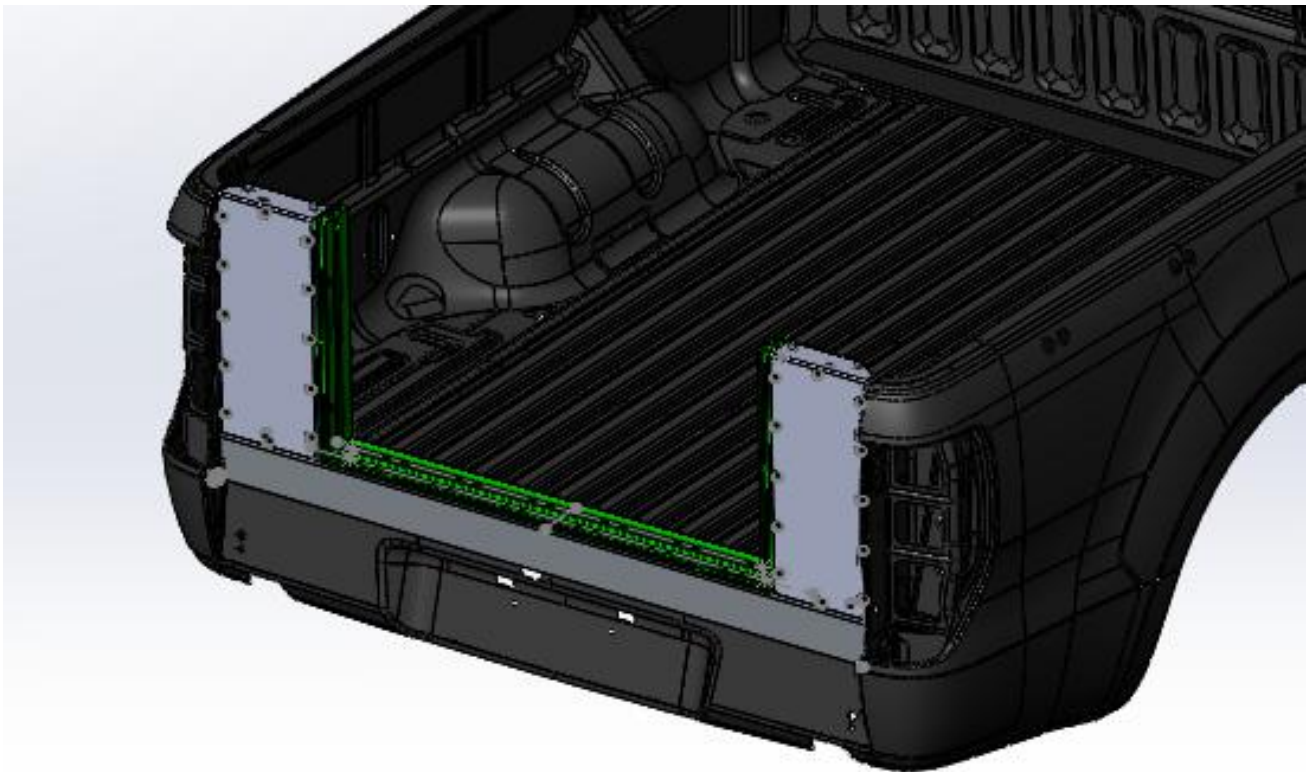
1.Rear filler panel assembly.



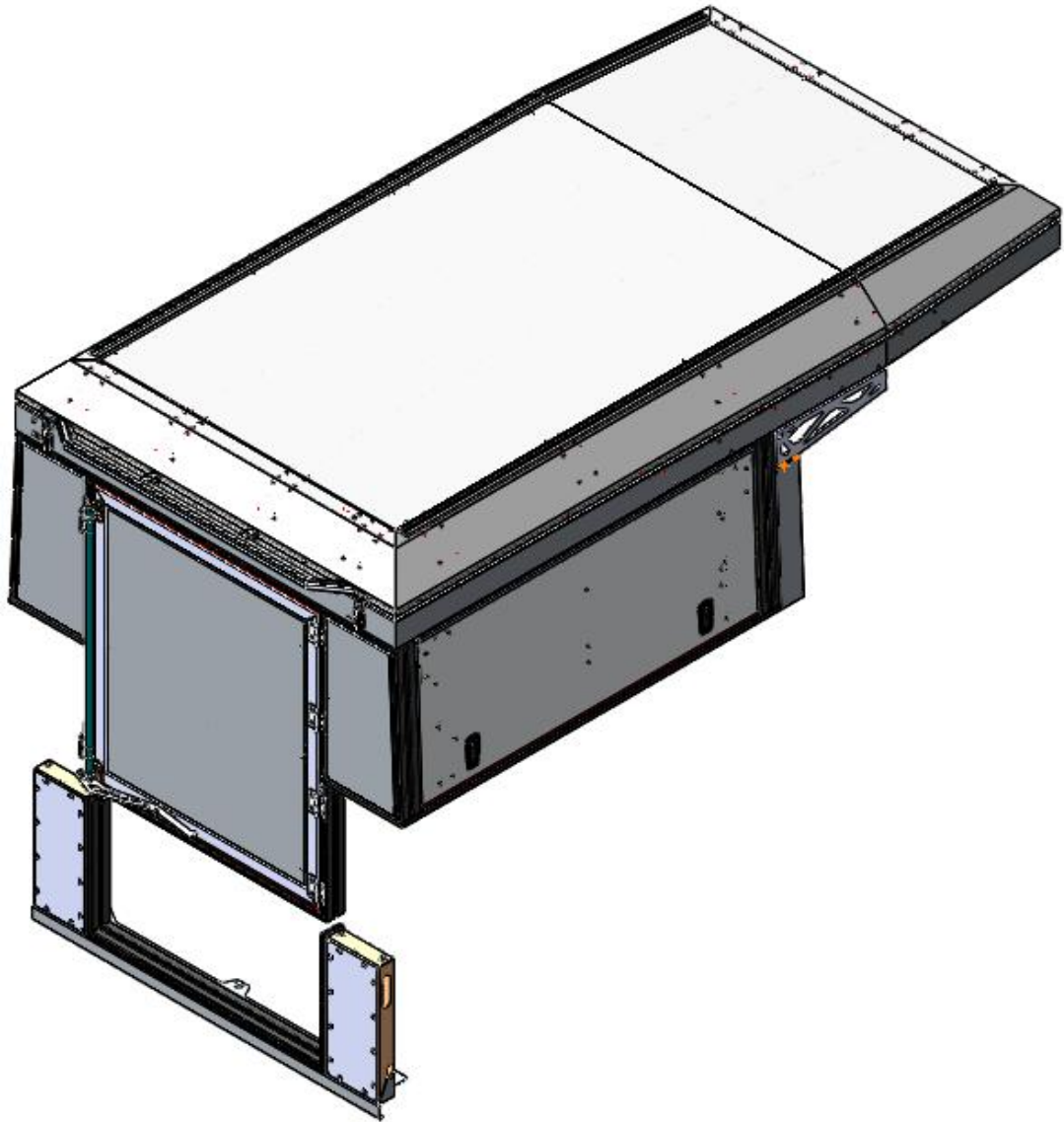
1.1 Fit lower door frame to filler panel assembly as shown.



1. Mount filler panel assembly to load bin as shown.

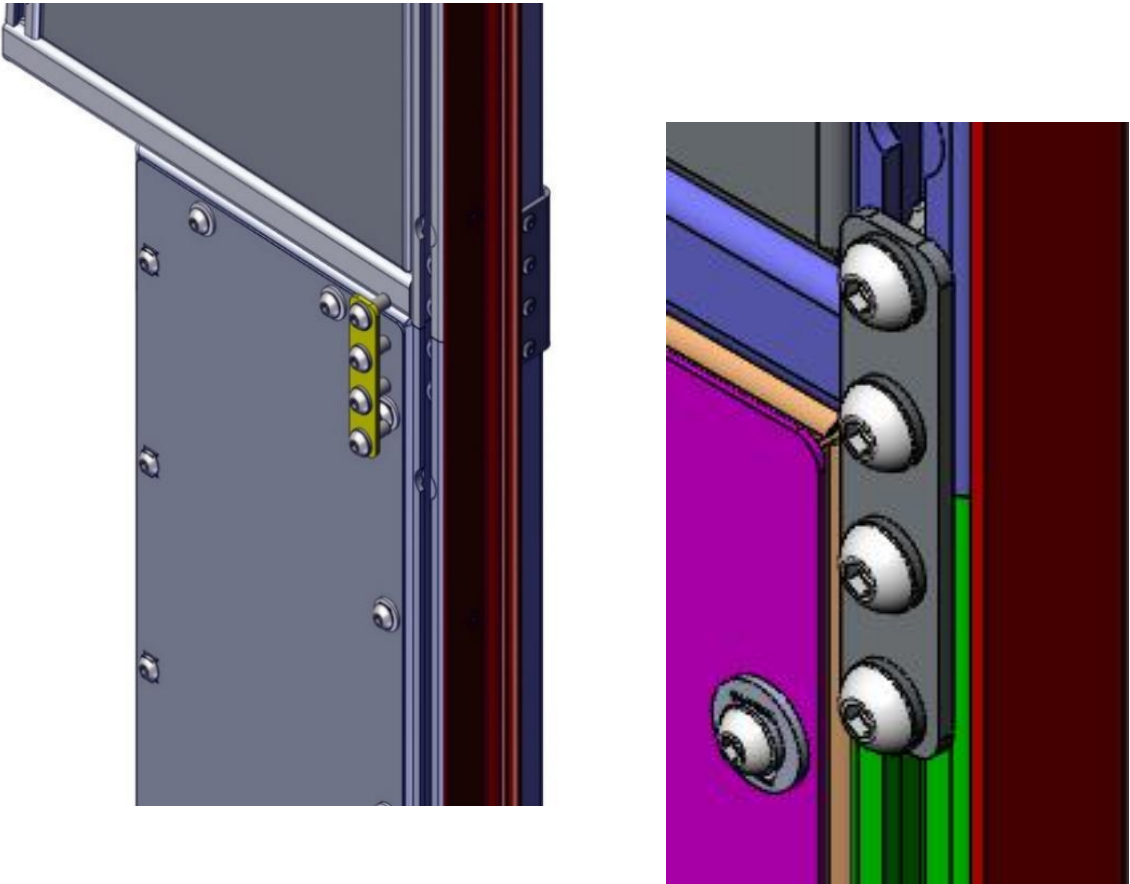


1.1. Then mount canopy camper base unit on top of load bin.

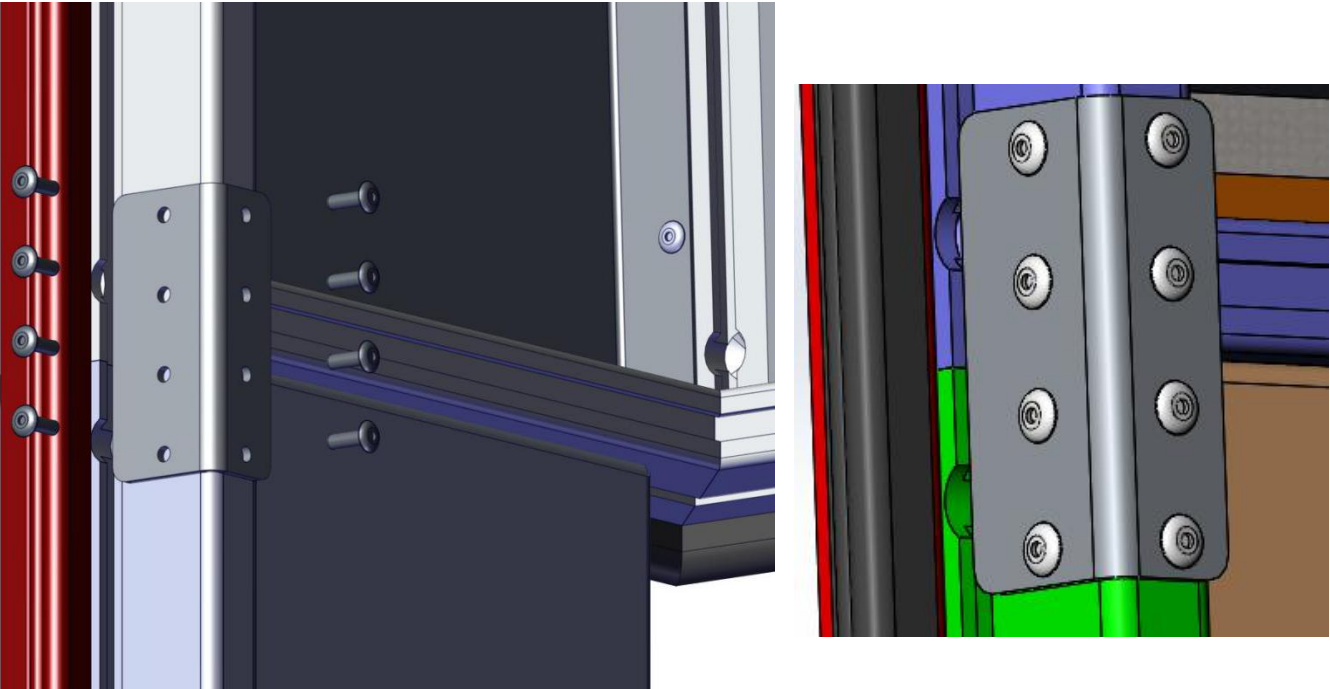


2. Connect rear filler panel assembly and base unit as shown.

OUTER MOUNTING ON BOTH JOINTS

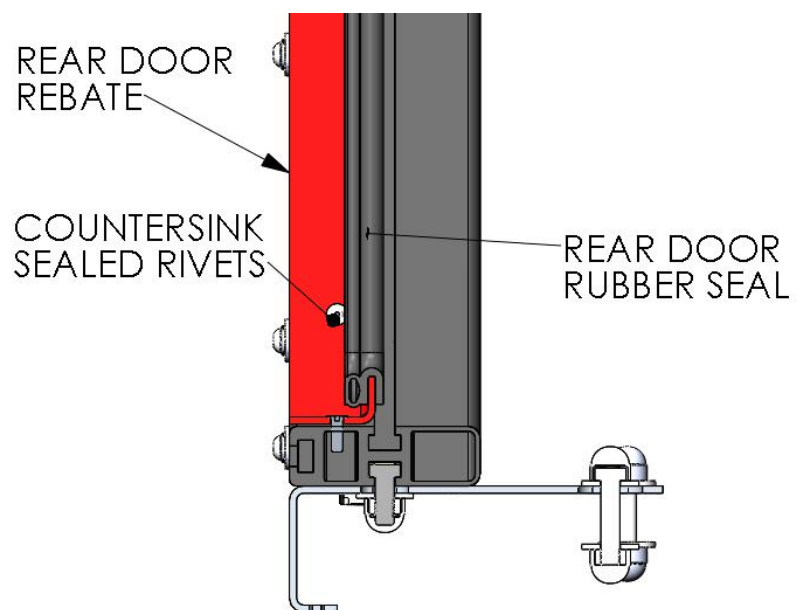
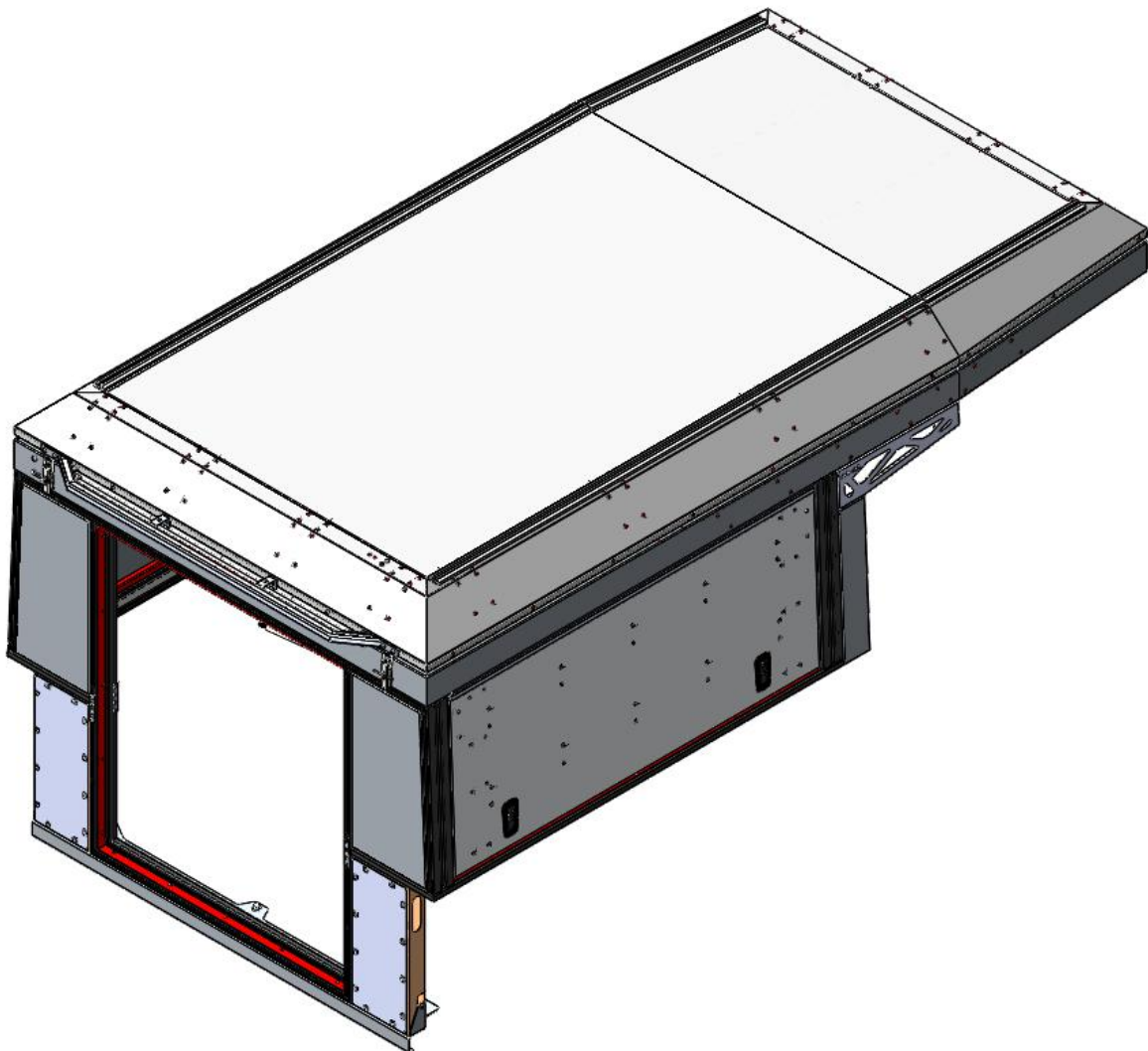


INNER MOUNTING ON BOTH JOINTS

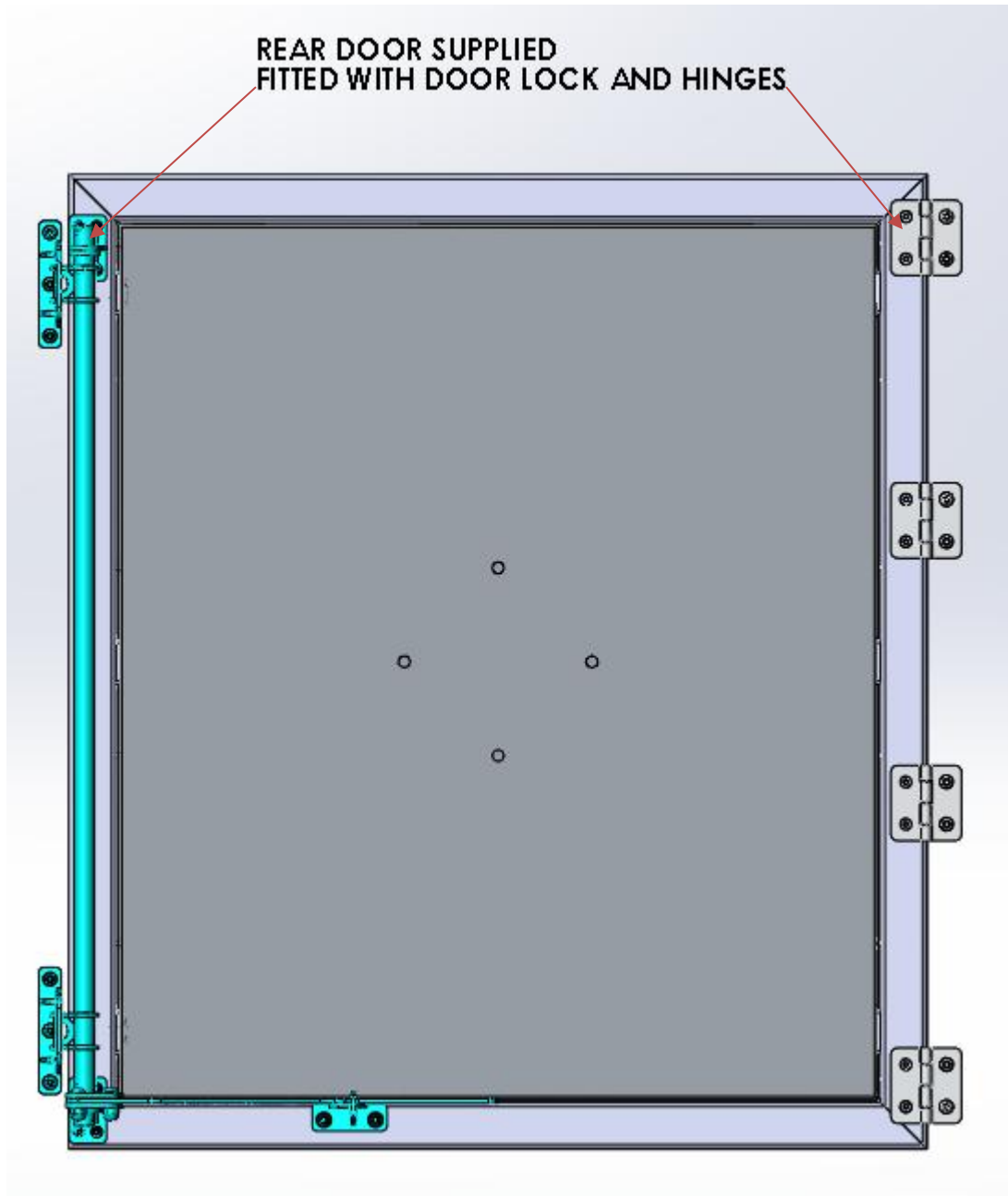




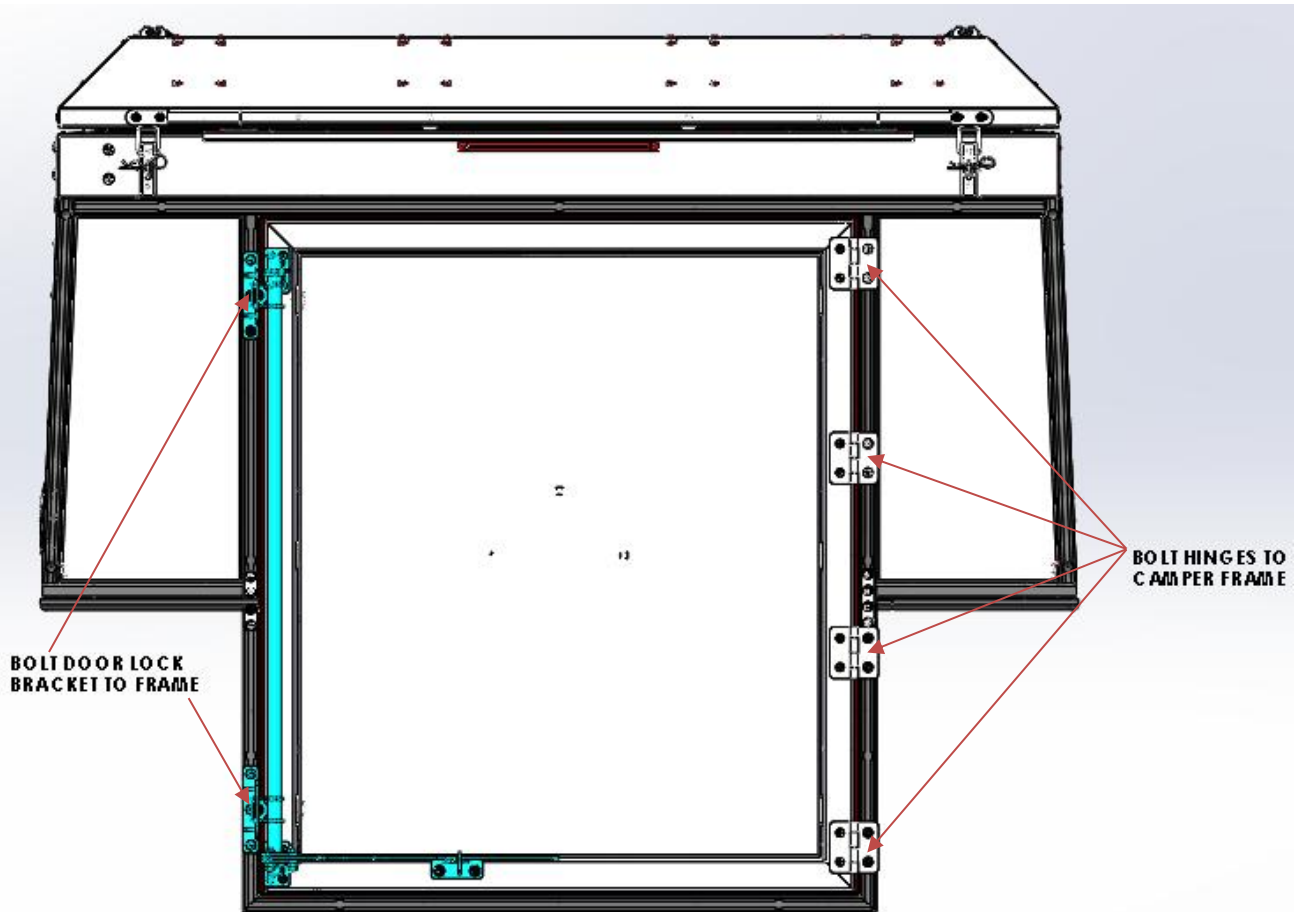
6. Fit rear door rebate with  $\text{Ø}4.8 \times 15$  sealed countersink rivets as shown.



3. Fit rear door by mounting 4 x Butt hinges to camper frame as shown. Centre rear door, top to bottom and the hinge centres left to right. Also mount the door lock to the camper frame.



4. Attach hinges and lock to camper frame.



## 1. Canopy Fitment – Tools, Fasteners & Materials

The tables below show the equipment, i.e. tools and fasteners required to start the canopy fitment for a Ford Ranger.

### 1.1. Tools Required:

<u>TOOL</u>
• Ratchet
• T-40 Spline Socket
• 13mm Socket
• 13mm Ring Flat Spanner

### 1.2. Fasteners required: (Included with canopy)

<u>ITEM</u>	<u>QUANTITY</u>
• M8x30mm Hex Bolts	8 off
• M8x20mm Hex Bolts	12 off
• M8x25mm Hex Bolts	4 off
• M8x40mm Hex Bolts	2 off
• M8 Flat Washer	20 off
• M8 Split Washer	12 off
• M8 Nylock Nuts	18 off
• M8 Plastic Nut Caps	18 off

### 1.3. Hardware Required:

<u>ITEM</u>	<u>PURPOSE</u>
• Left Front Support Brackets	1 off
• Right Front Support Bracket	1 off
• Left Rear Support Bracket	1 off
• Right Rear Support Bracket	1 off
• Universal Bracket	4 off
• Centre Mounting Bracket	2 off

### 1.4. Consumables Required:

<u>ITEM</u>
• Turpentine
• Cloth
• Black sealant, silicone or Sikaflex
• Window Cleaner

## 2. Front and Rear Canopy Support Brackets.

In Figure 1 and Figure 2 below are the canopy support brackets for the Ford T6/T7 Ranger.

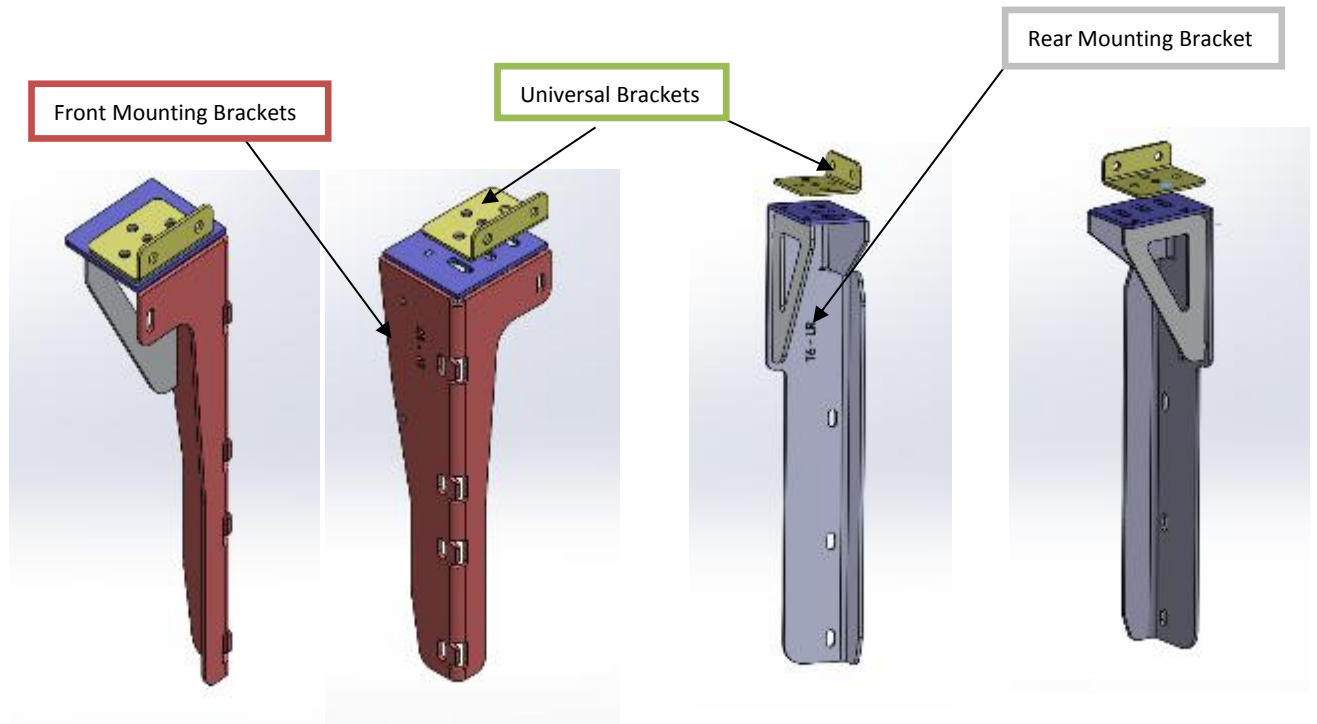


Figure 1: Front Support Canopy Brackets

Figure 2: Rear Support Canopy Brackets

### Mounting the Support Brackets to the Load Bin

#### a) Step 1 – Removing the Standard Hooks

Remove the standard hooks using a T40 spline socket and ratchet.

Standard Hook Points



Figure 3: Standard Hook Points



Figure 4: Standard Hook

b) Step 2 – Bolting the Front and Rear Mounting Brackets to the Load Bin

Figures 5 to Figure 10 shows where and how the support brackets are fixed to the load bin. The top of the brackets must be flush with the load bin.

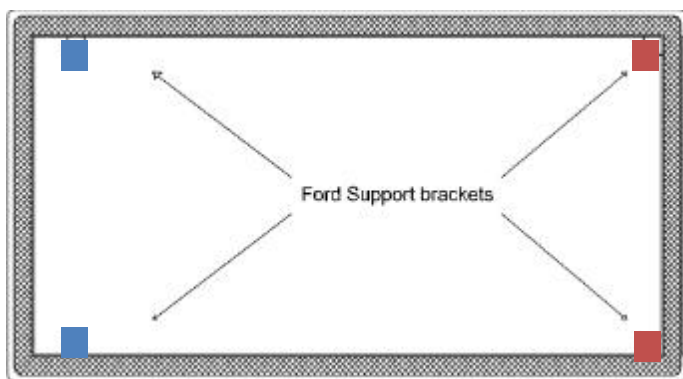


Figure 5: Top View of Load Bin

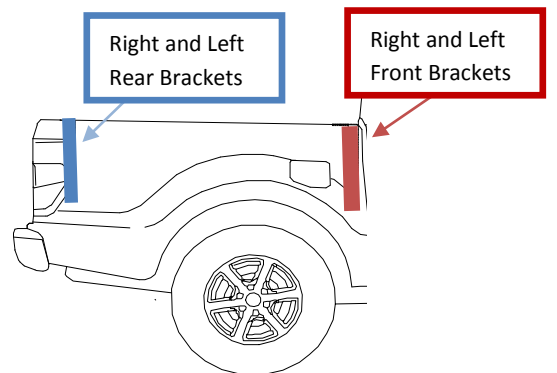


Figure 6: Side View of Load Bin

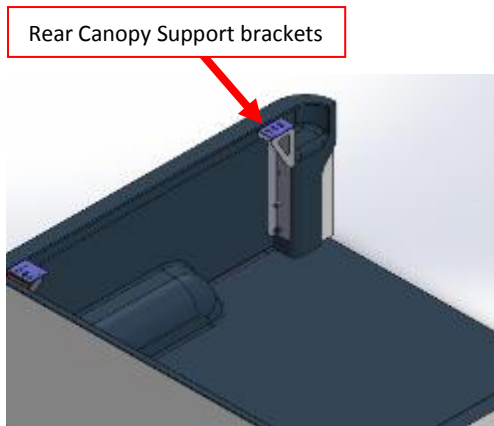


Figure 7: Rear Canopy Support Bracket Position

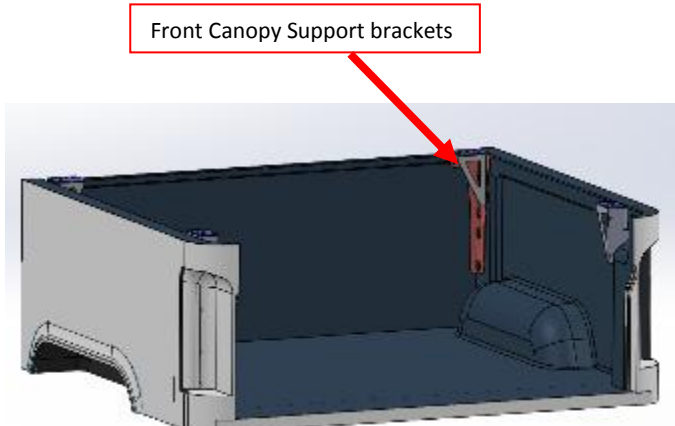


Figure 8: Front Canopy Support Bracket Position

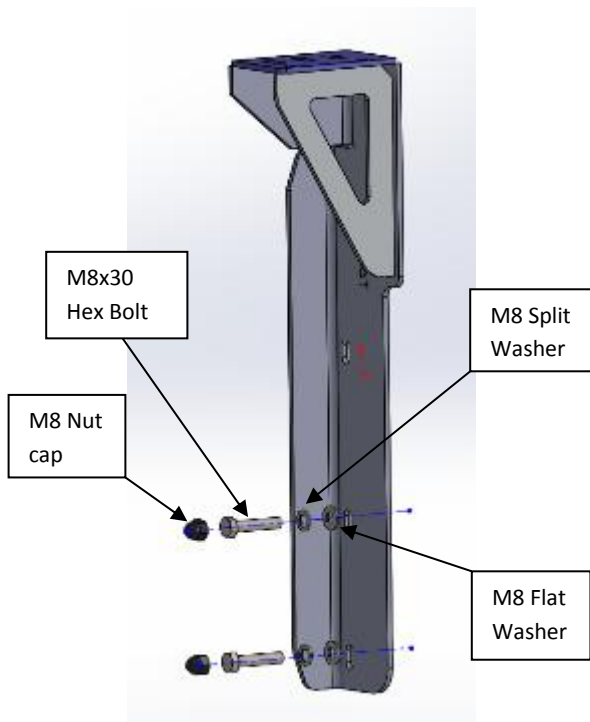


Figure 9: Rear Bracket Mounting Assembly

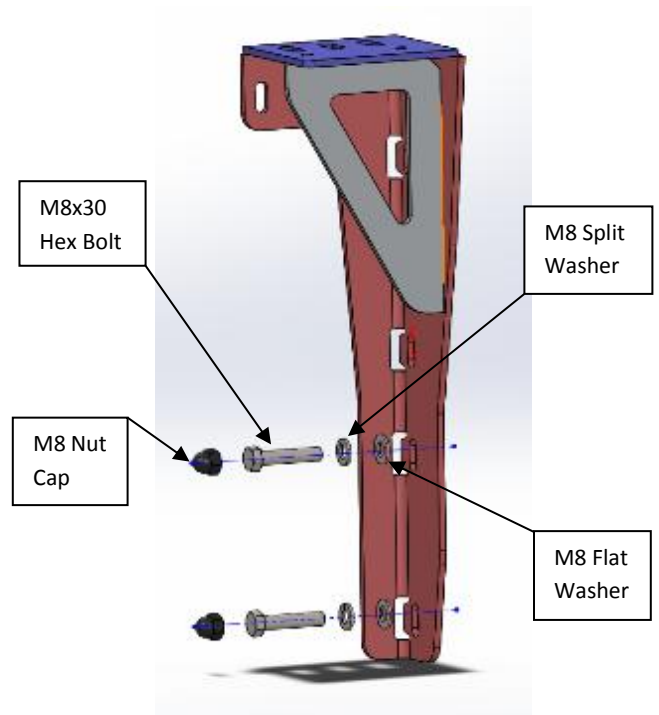
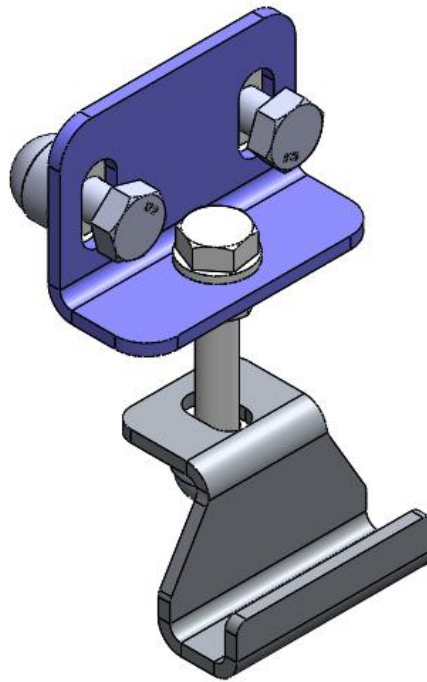


Figure 10: Front Bracket Mounting Assembly



### 3. Centre Mounting Bracket



ITEM NO.	PART NUMBER	DESCRIPTION	MATERIAL	QTY.
1	CMB-000-002	BOTTOM CLAMP BRACKET	AISI 304 (3mm)	1
2	212-MNT-BRKT-02-00	MOUNTING BRACKET 2	AISI 304	1
3	M8x50 Hex Head Bolt	Hex Head Bolt	AISI 316	1
4	DIN 933 M8x20 Hex Head Bolt	Hex Head Bolt	AISI 316	2
5	DIN 125 M8 Flat Washer	Flat Washer	AISI 316	5
6	DIN 985 M8 Nyloc Nut	Nyloc Nut	AISI 316	3
7	M8 Nut Cap	Plastic Nut Cap	PE Low/Medium Density	3
8	M8 Hex Head Nut	Hex Head Nut	AISI 316	1

### 3.1. Mounting the Centre Mounting Bracket

In Figure 15 below shows how the centre mounting bracket clamps onto the load bin.

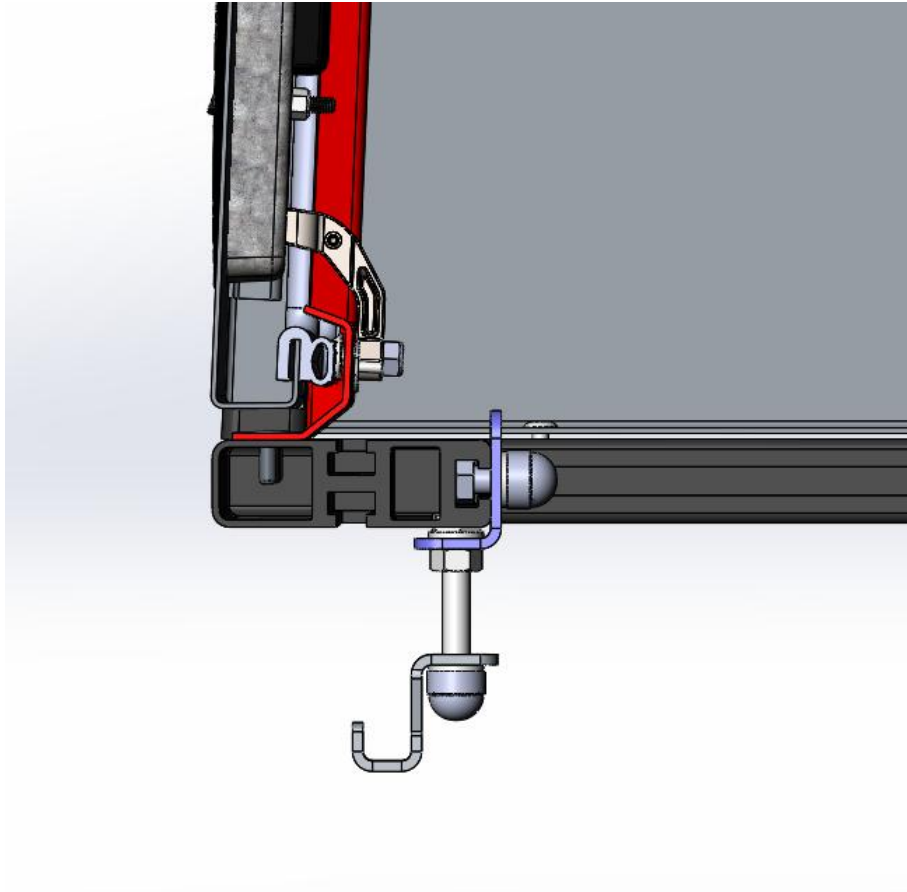


Figure 15: Section View of Clamping Method

## 4. Canopy Installation

Before placing the canopy onto the load bin, check that the D-Rubber is intact on the canopy. If this is not done, the canopy and/or load bin could be damaged or can cause leaks into the canopy.

To position the canopy, ensure that it is flush with the load bin.

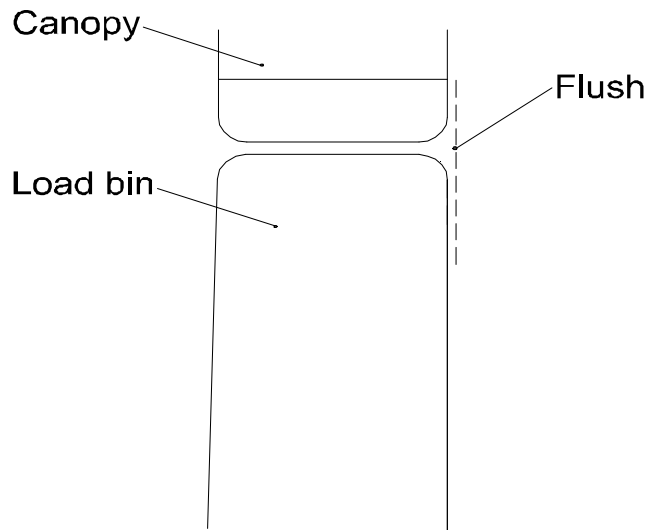


Figure 16: Canopy and Load Bin Alignment

**4.1. Canopy Fitment to Load bin**

Open all the doors of the canopy and place onto the load bin.

a) Step 1 – Bolting the Universal Bracket to the Support Bracket.

In Figure 17 and Figure 18 below shows how the universal bracket is mounted to the front and rear support brackets.

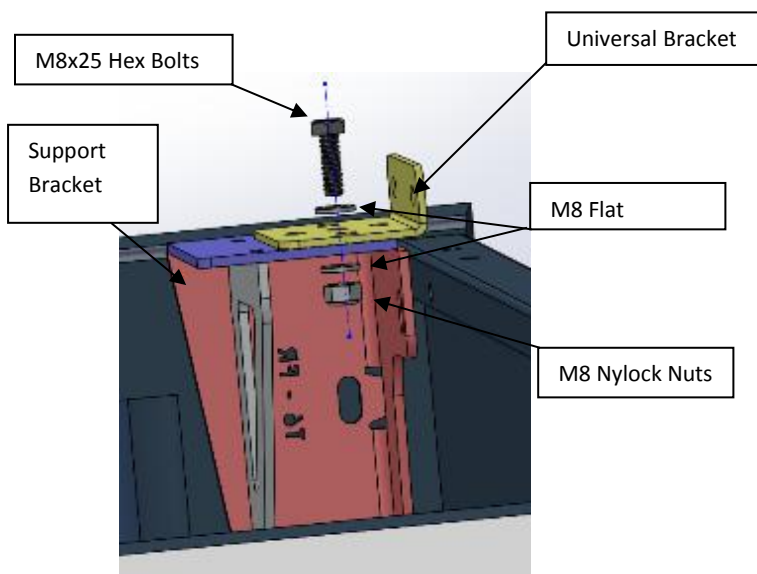


Figure 17: Universal-Front Bracket Mounting Assembly

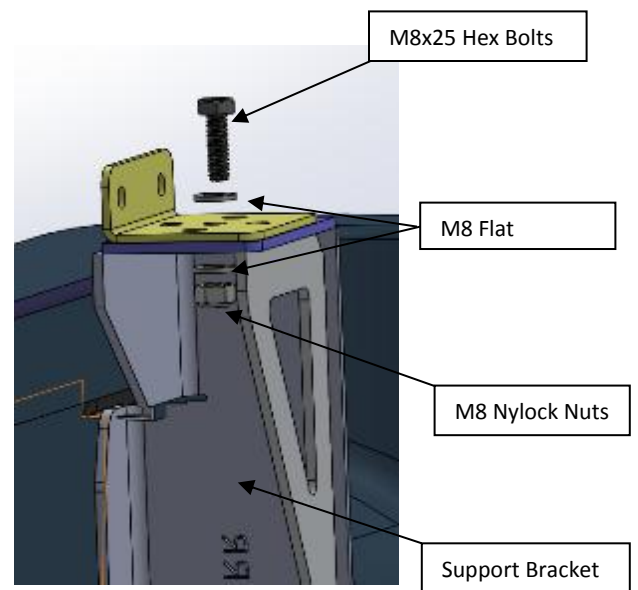


Figure 18: Universal-Rear Bracket Mounting Assembly

b) Step 2 – Bolting the Universal Bracket to the Canopy

When the Universal bracket is bolted to the mounting brackets, it should then be mounted to the canopy. In Figure 19 and Figure 20 shows the fastener assembly.

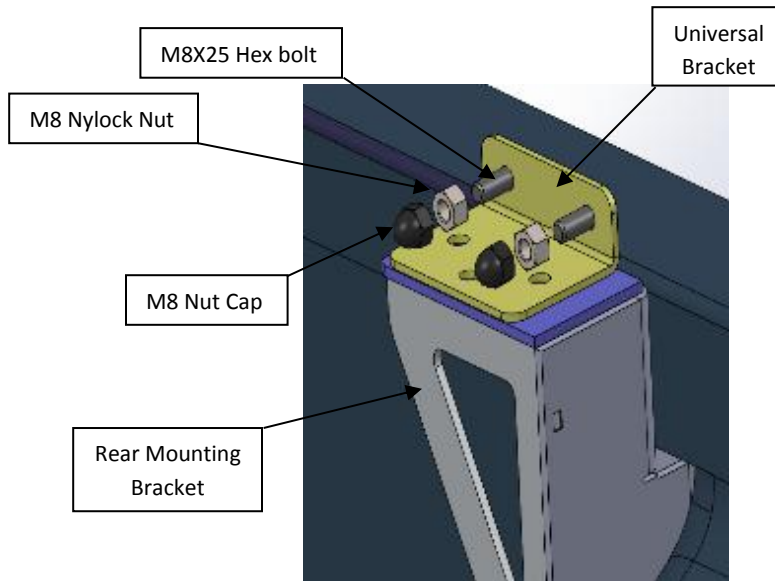


Figure 19: Rear Universal to Canopy Mounting assembly



Figure 21: Tightening Universal bracket to Canopy

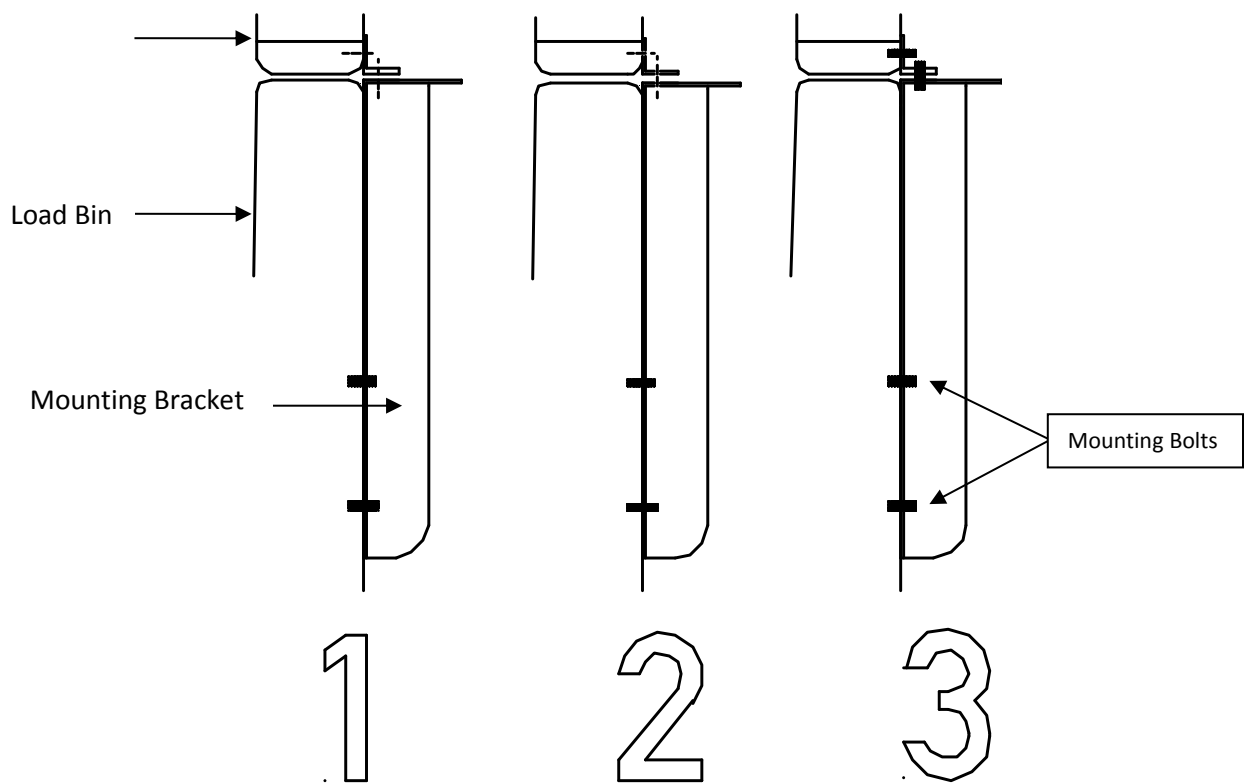


Figure 22: Overall Fitting Assembly