

# FITMENT INSTRUCTIONS

**Alu-Cab™**



## Shower Cube to Hercules

Should you experience any problems please  
contact us so that we can assist you

Enquiries: [queries@alu-cab.co.za](mailto:queries@alu-cab.co.za)  
Tel: +27 21 703 3028

## 1. Shower Cubicle Fitment – Tools, Fasteners & Materials

The tables below show the equipment, i.e. tools and fasteners required to start the shower cubicle fitment onto a Hercules tent.

### 1.1. Tools & Items Required:

<u>TOOLS</u>
Ratchet
13mm Socket
13mm Ring Flat Spanner
Drill
Drill Bit Ø8.5
Rivnut gun (M8 TIP)

<u>ITEM</u>
Turpentine
Cloth
Black sealant, silicone or Sikaflex

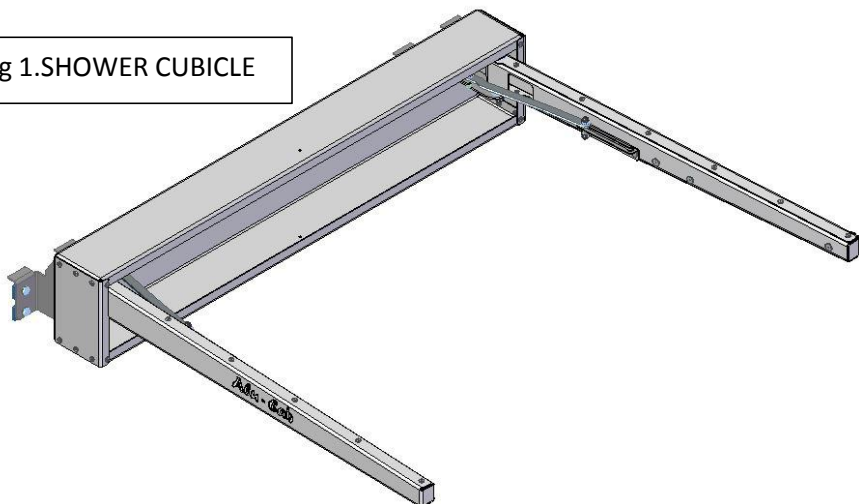
### 1.2. Fasteners supplied: (Included with Shower Cubicle)

<u>ITEM</u>	<u>QUANTITY</u>
HEX HEAD BOLT M8X20	4 off
M8 FLAT WASHER	8 off
M8 NYLOC NUT	4 off
M8 PLASTIC NUT CAP	12 off
M8 RIVNUTS	4 off
M8X100 HEX HED BOLT	4 off

### 1.3. Hardware Required: (Included with Shower Box)

<u>ITEM</u>	<u>DESCRIPTION</u>	<u>QUANTITY</u>
SHOWER CUBICLE	SHOWER CUBICLE ASSEMBLY	1 off
SHOWER CUBICLE BAG	BLACK SHOWER CUBICLE BAG	1 off
SHOWER CURTAIN	GREY SHOWER CURTAIN	1 off
AWNING MOUNTING BRACKET	TR-020-001-REV B	2 off
BACK PLATE FOR mounting BRACKET	TR-AW-020-002 REV B	2off

Fig 1.SHOWER CUBICLE



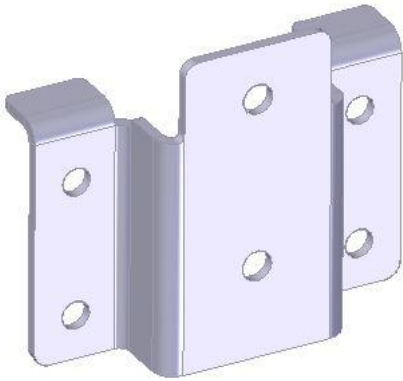


Fig 2.TR-020-001-REV B

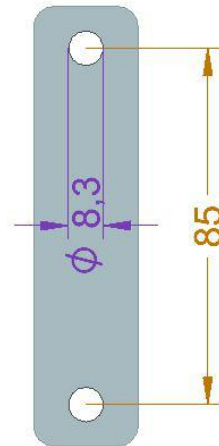


Fig 3.TR-AW-020-002 REV B

## 2. Mounting of the Brackets to the body

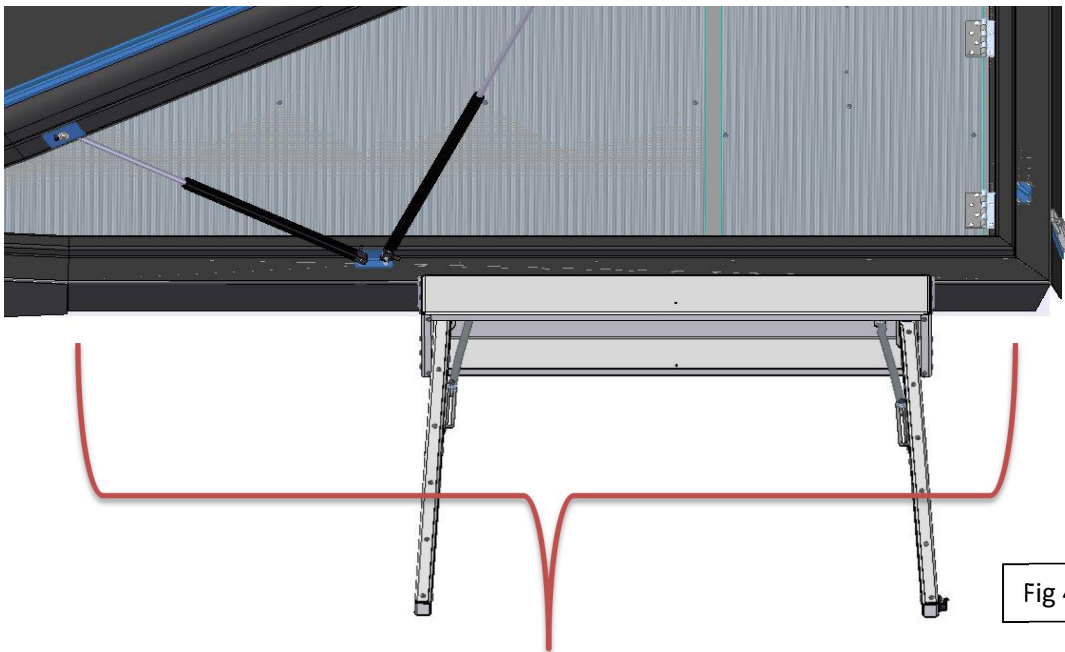


Fig 4.

Mount along the sides of the tent

Mounting of the brackets( TR-020-001-REV B) can be positioned anywhere along the allocated area on the sides of the vehicle.

Fit the (TR-020-001-REV B) *mounting bracket* flange on top edge of the tent base  
And use the holes on the bracket as a jig to drill holes into the tent base.

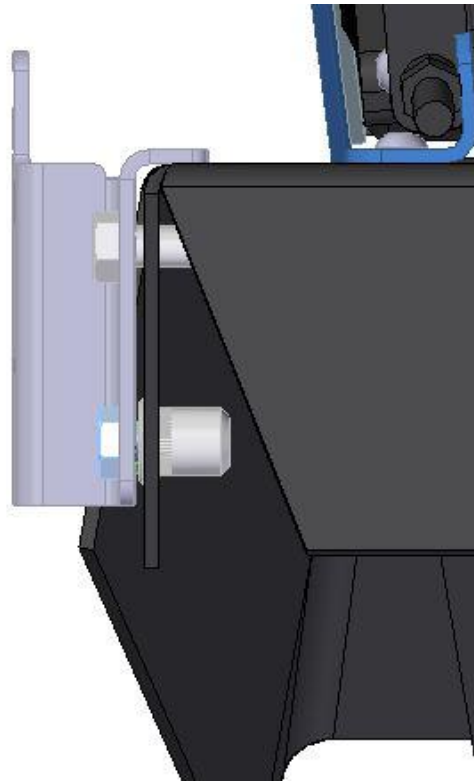


Fig 5.

Stay clear of the vehicle mounting brackets

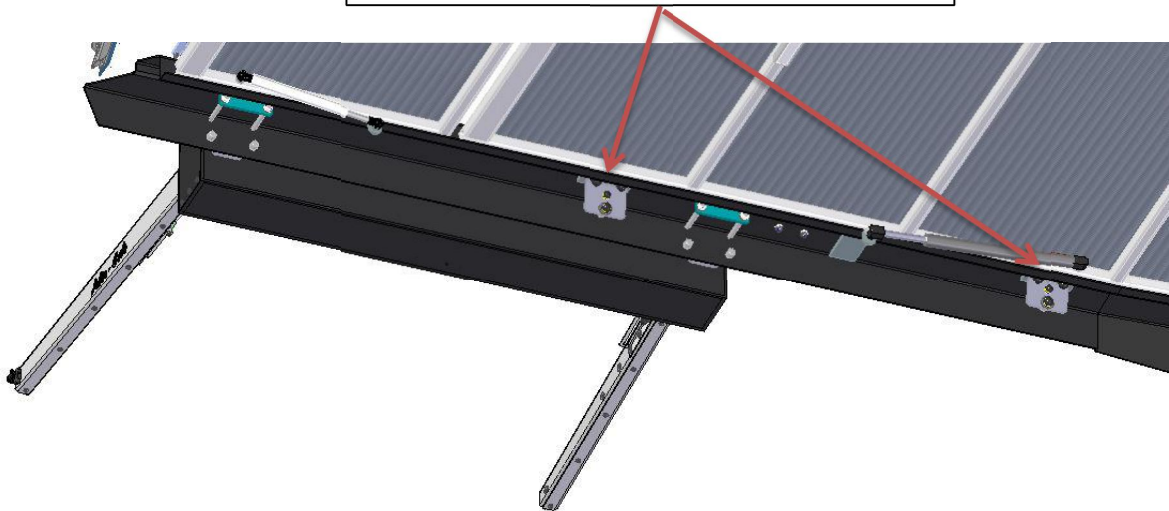
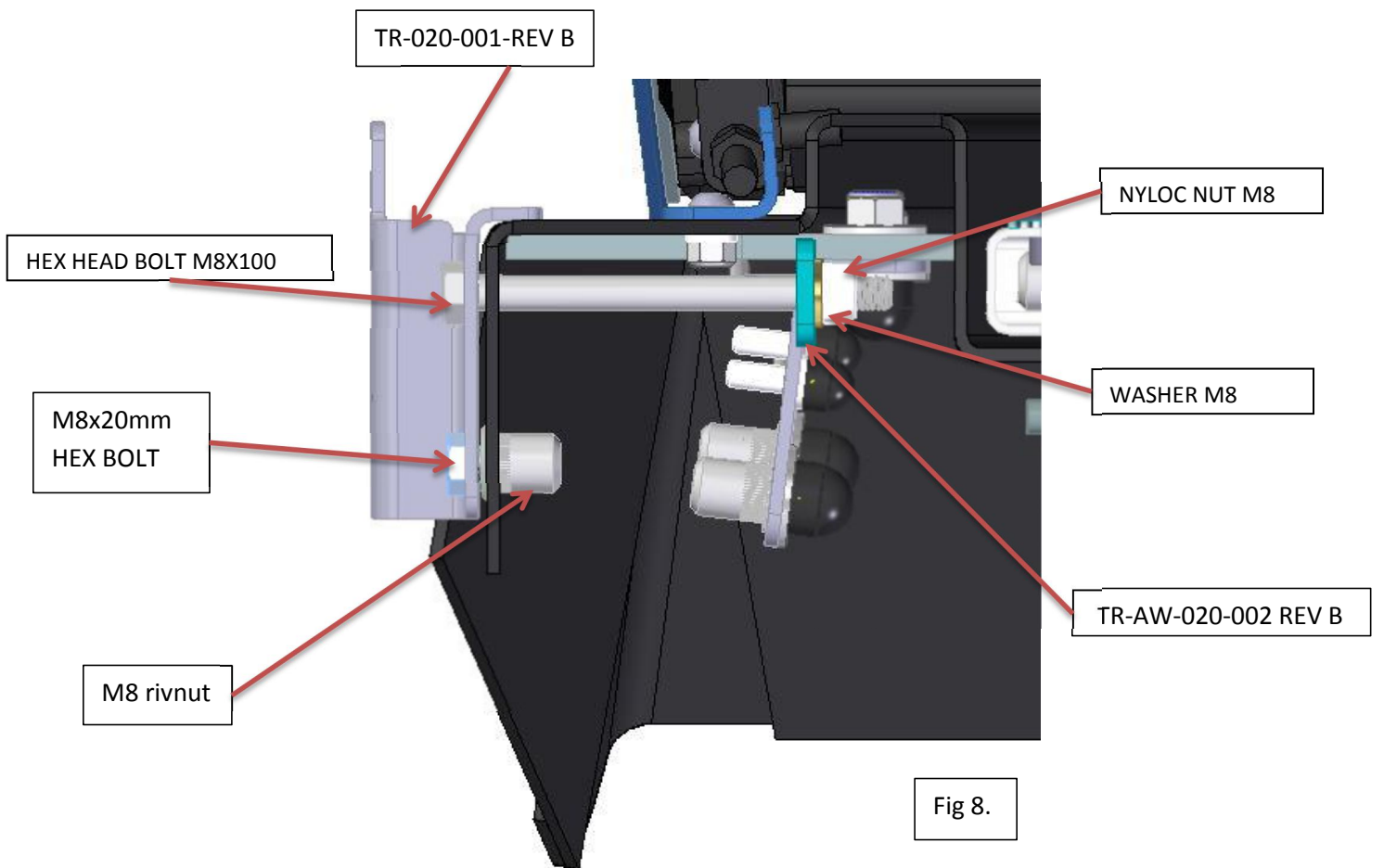
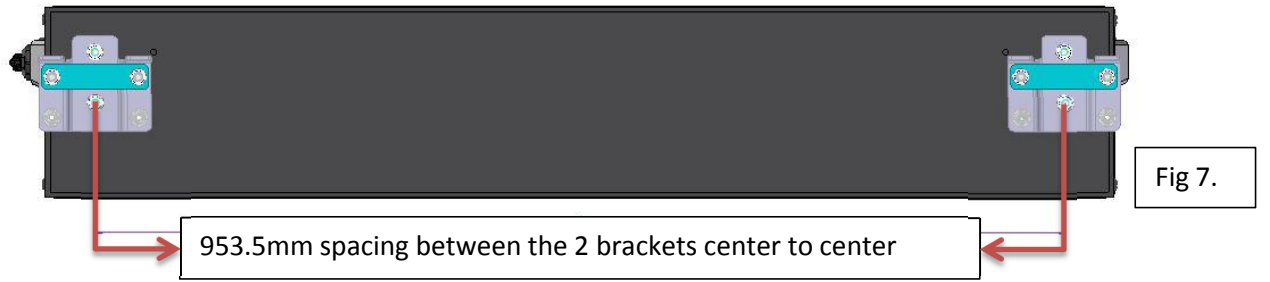
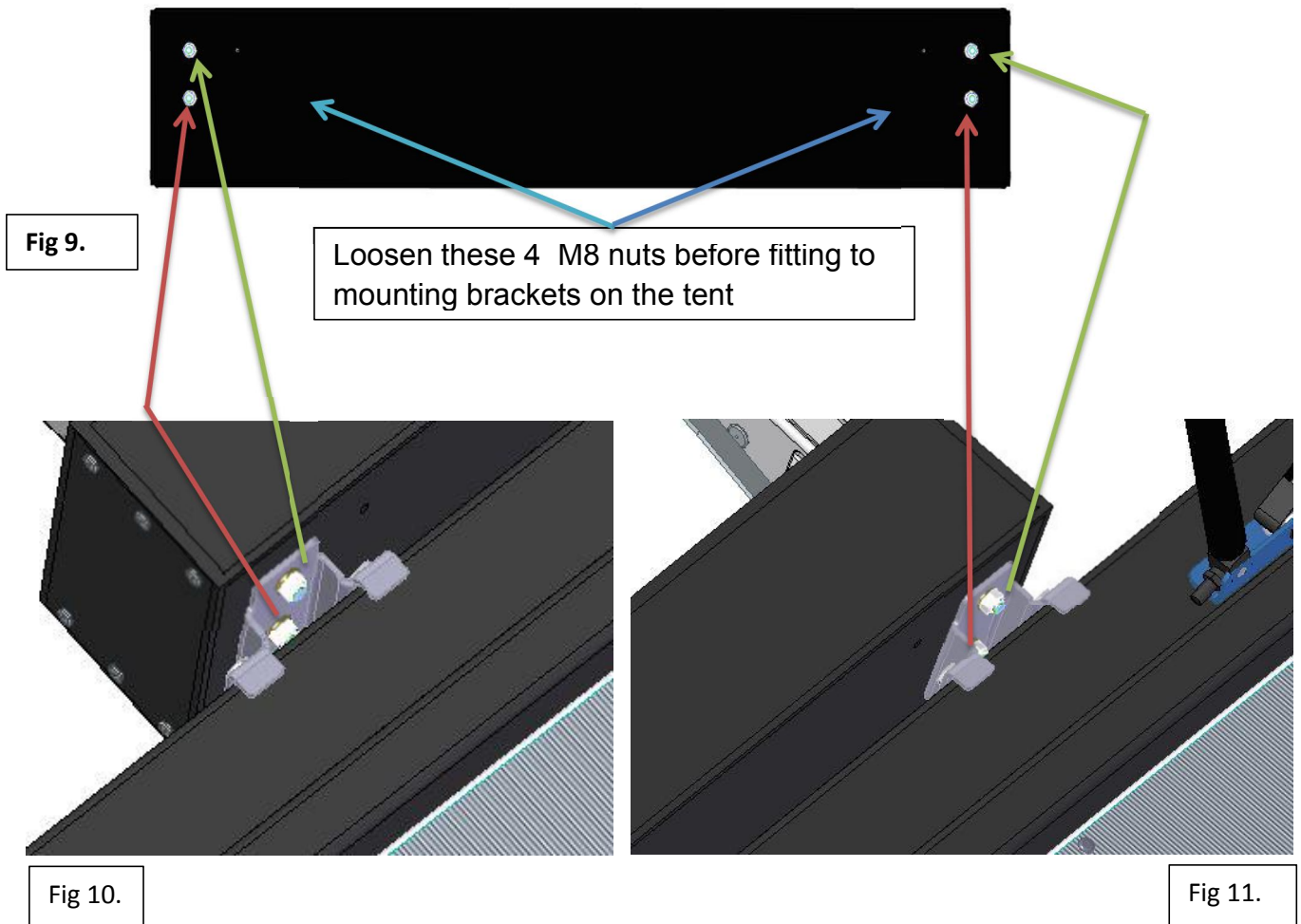


Fig 6.



Place M8 Plastic Nut Caps on all M8 Nyloc Nuts and hex bolts to finish of the mounting bracket fitment.

## Mounting the shower cubicle.



Place **shower cubicle assembly with the bag** on mounting brackets and secure shower cubicle to the mounting brackets using the same nuts that were removed in **fig 9**.