

EZUP Instruction

Amarok EZUp Hoodlift – HL0895

1

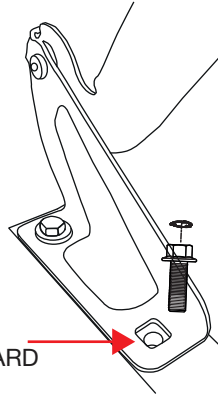
OPEN HOOD OF VEHICLE USING ROD TO KEEP HOOD OPEN WHILST YOU WORK

RHS and LHS are determined when sitting in the Drivers side of the Vehicle.

2

RIGHT HAND SIDE FENDER

Remove bolt. **DO NOT DISCARD**



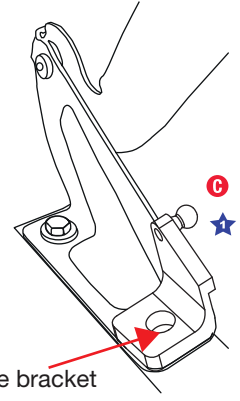
WARNING:

Be careful not to drop bolt into the open cavity of the vehicle whilst removing.

This bolt will be used to secure the fender bracket on both sides of the vehicle.

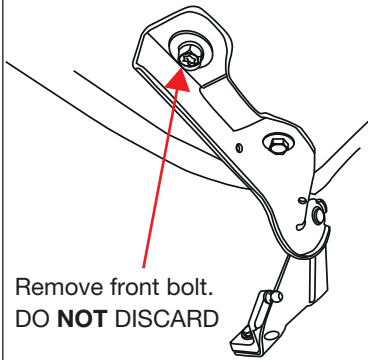
3

Secure the bracket using the existing bolt.



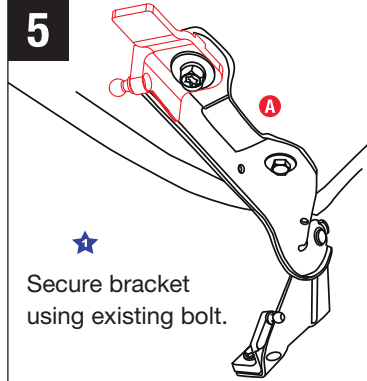
4

Remove front bolt. **DO NOT DISCARD**



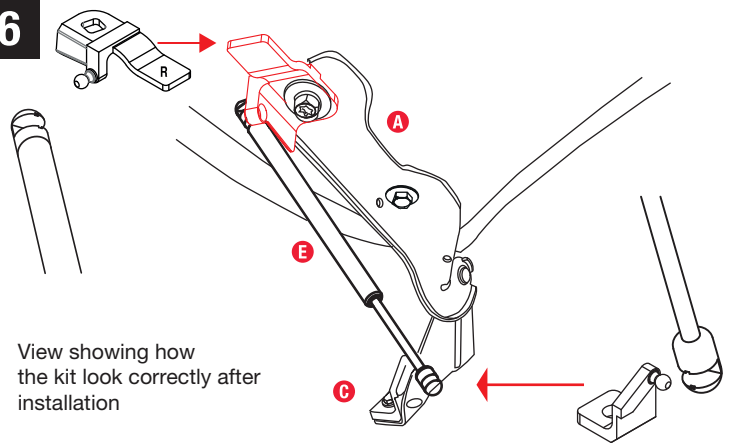
5

Secure bracket using existing bolt.



6

View showing how the kit look correctly after installation



7

THEN REPEAT SLIDES 2 & 7 ON LHS HOOD

8

NB: After installation please close hood gently to ensure that there is no interference with any hardware.

FITTING CODE	MANUFACTURER	MODEL TYPE	YEAR	STOCKIST	PRODUCT	REVISION	LABOUR	DATE	PAGE
HL0895	VOLKSWAGEN	AMAROK	2016 2ND INTRO	GENERAL USE	EZUp	3	30min	13/08/2019	1
TORQUE – N.m		★ 25N.m ± 2N.m		www.ezdown.co.za					

NB: After installation please close hood gently to ensure that there is no interference with any hardware.

IMPORTANT:

No liability will be incurred by Industrial Specialised Applications company, for injury, death, or property damage caused by a product which has been set up, operated, and/or installed contrary to EZUp installation guide/manual, or which has been subjected to misuse, negligence, or accident, or which has been repaired or altered by anyone other than Industrial Specialised Applications, or which has been used in a manner or for a purpose for which the product was not designed.

