



ACC0101,0102,0103

Gobi-X Fridge Slide fitting Instructions



CONGRATULATIONS:

Thank you for purchasing this Gobi-X product. We are very proud of our range of accessories and we sincerely hope it meets your expectations. Please read and follow the fitting instructions carefully.

IMPORTANT PRODUCT INFORMATION:

Please ensure all Gobi-X products are fitted to your vehicle by a competent fitter and follow all instructions. (If you are uncertain about any of the instructions please call your local supplier for clarification.) If you are not mechanically minded you should not attempt to fit this product yourself but instead seek professional or better qualified assistance. If not fitted properly this product could cause an automobile accident and serious bodily harm or death to you or others. You are responsible for all Gobi-X products fitted to your vehicle and should ensure they are regularly checked to ensure the mountings etc are still correctly secured. Due to the nature of the use of this product, wear and damage can occur and should be repaired/replaced immediately.



WHAT YOU WILL NEED



Ratchet & 13mm Socket



Drill and 8.5mm Drill Bit



M8 Allen Key

Rust Preventer - (Buy at any local hardware store)



ACC0101,0102,0103

Gobi-X Fridge Slide fitting Instructions

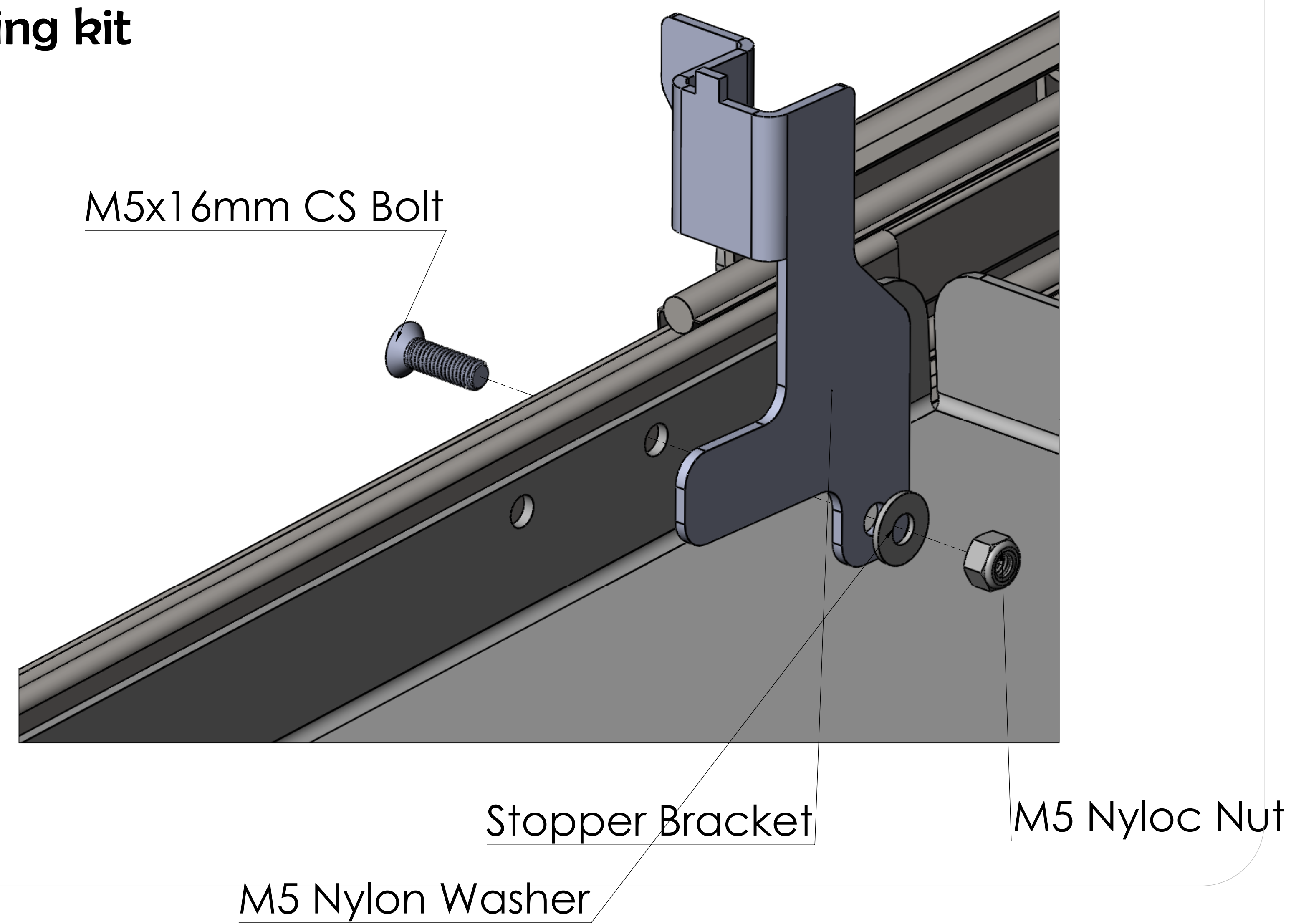


Step 1

Unwrap your new fridge slide and check that your fitting kit is completed and that you have the necessary tools to assemble your new fridge slide.

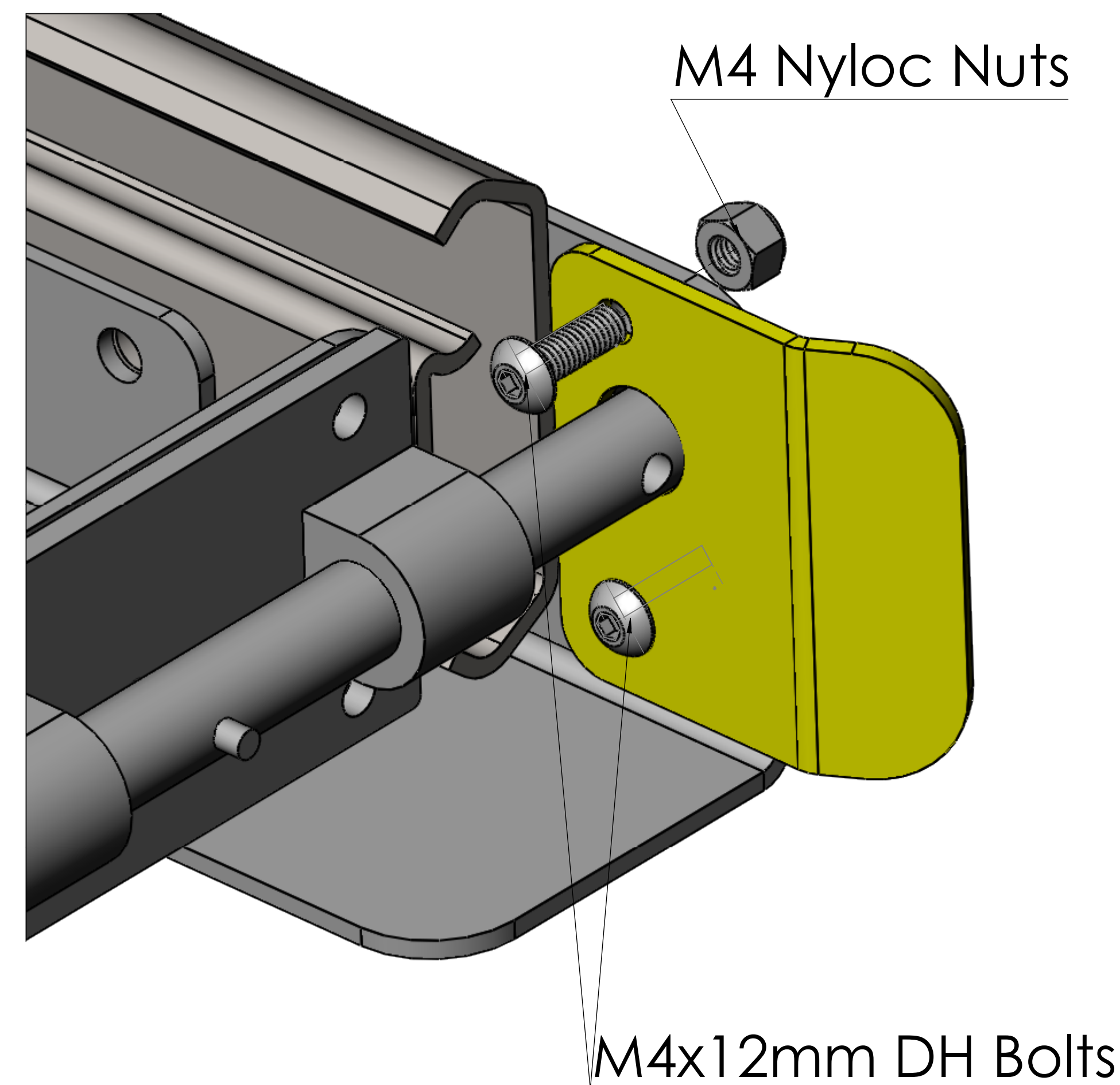
Step 2

Slide the fridge slide open as shown attached in fig.1.1 and fit the stopper bracket as indicated on the back left hand side of the fridge slide with bolts and nuts supplied in the fitting kit



Step 3

Once the stopper bracket has been fitted close your fridge slide and fit the catch stainless steel plate as indicated in fig.1.2



Fitting Kit

-  4x M8x40mm Dome Head Bolts
-  4x M8 Washers
-  4x M8 Nyloc Nuts
-  1x Fridge Slide Stopper Bracket
-  1x M5x16mm CS SS bolt
-  1x M5 Nylon Washer
-  1x M5 Nyloc Nut
-  1x SS Catch Bracket
-  2x M4x12mm DH Bolts
-  2x M4 Nyloc Nuts



ACC0101,0102,0103

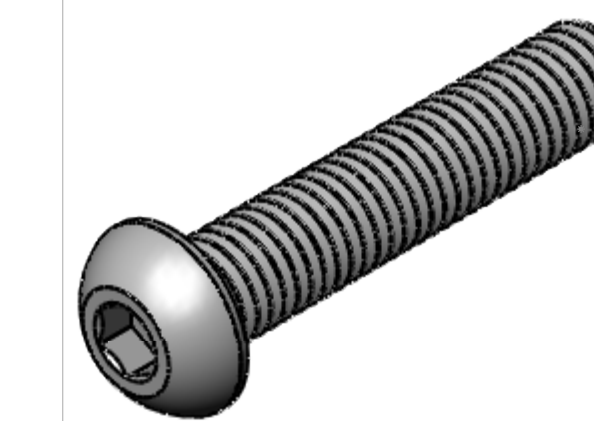
Gobi-X Fridge Slide fitting Instructions



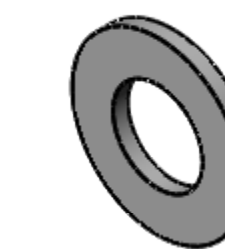
Step 4

You can now proceed, Place the fridge slide onto the surface where it is going to be mounted. release the latch and extend the tray outwards, remember that the weight will now shift outwards and you will need to counter balance the weight.

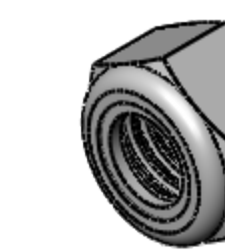
Fitting Kit



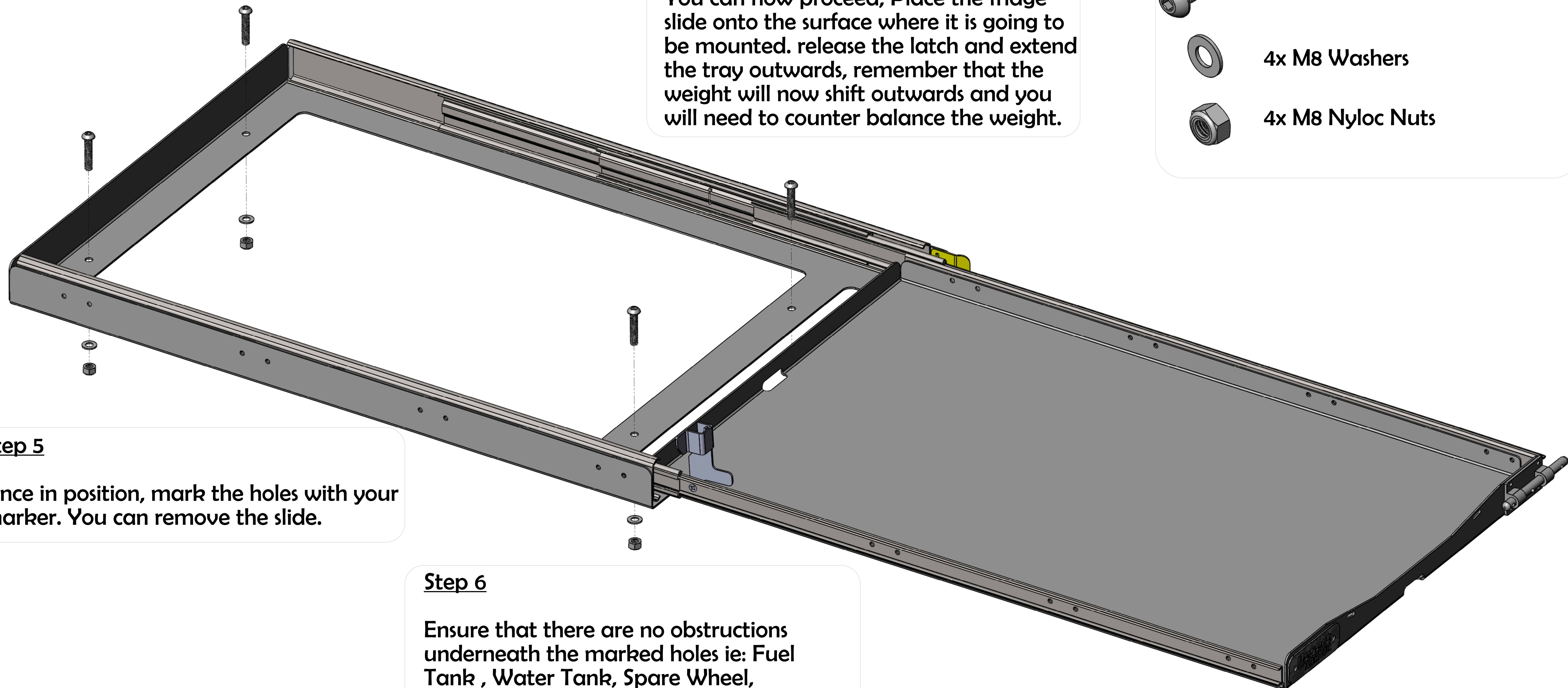
4x M8x40mm Dome Head Bolts



4x M8 Washers



4x M8 Nyloc Nuts



Step 5

Once in position, mark the holes with your marker. You can remove the slide.

Step 6

Ensure that there are no obstructions underneath the marked holes ie: Fuel Tank , Water Tank, Spare Wheel, Electrical Wires. You can now use your drill with a 8.5mm drill bit and drill the required holes.

Important: Treat all the drilled holes with a Rust Preventer, which can be purchased from your local hardware store.

Step 7

Place your fridge slide in position, insert the M8x40mm Bolts supplied with the F/Slide. You can now tighten the F/Slide in position. Ensure that your fridge slide is securely fastened. Thank you for purchasing our product