



FITMENT INSTRUCTIONS

FORD F150 2015 - 2022 5,5 FT & 6,5 FT ALU-CABIN

Installation Instructions

Preliminary information

Installation and fitment instructions includes the tools required, fasteners included in the kit, and the hardware included in the kit.

Please follow the instructions and check installation steps with the images in this document.

Alu-Cab recommends that all sealing work is allowed to cure for 24 hours, after which you may drive the vehicle on normal paved roads. Before driving off-road with your Alu-Cab product or operating your roof conversion, an additional cure period of 48 hours is required.

Failure to follow these instructions will void your warranty. Please ensure that you follow the sealant manufacturers curing time as per their technical data sheet.

These times may differ slightly from the times we have recommended.



Service Enquiries email
queries@alu-cab.com

Installation Instructions

Canopy Fitment – Tools, Fasteners & Hardware

1.1

Tools & Items Required

10mm Ring Spanner/Socket
13mm Ring Spanner/Socket
5mm Allen Key

Items

1.3

Turpentine
Cloth
Black sealant, silicone or Sikaflex
Window Cleaner

1.2

Fasteners Supplied (included with Side Boxes)

M8x20mm OVERSIZED WASHER S/S	49
M10x20mm FLAT WASHER S/S	2
M8x16mm FLAT WASHER S/S	59
M10X40 HEX BOLT S/S	2
M8x20 HEX BOLT S/S	34
M8x25 HEX BOLT S/S	16
M8x80 HEX BOLT S/S	16
NCAP-8mm	104
M8 NYLOC NUT S/S	82
PLASTIC WASHER (NYLON) - (30x10x2.5)	6
M8x20 CUP SQ BOLT S/S	16

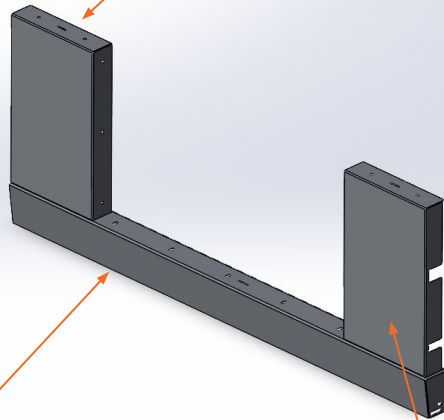
Installation Instructions

Canopy Fitment – Tools, Fasteners & Hardware

1.4

Sheet Metal Part Identification

CC-FK-F150-06-P001



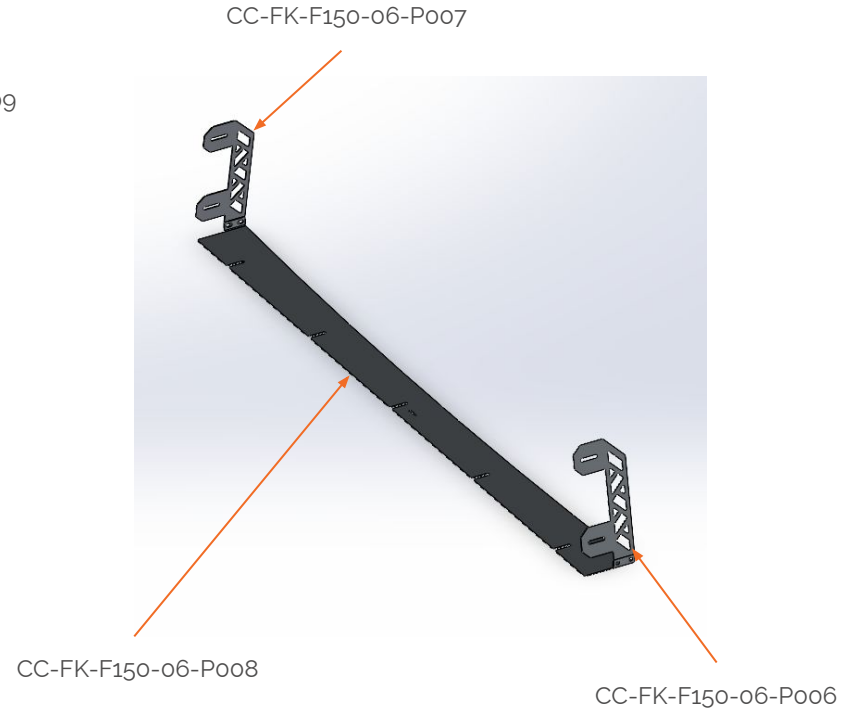
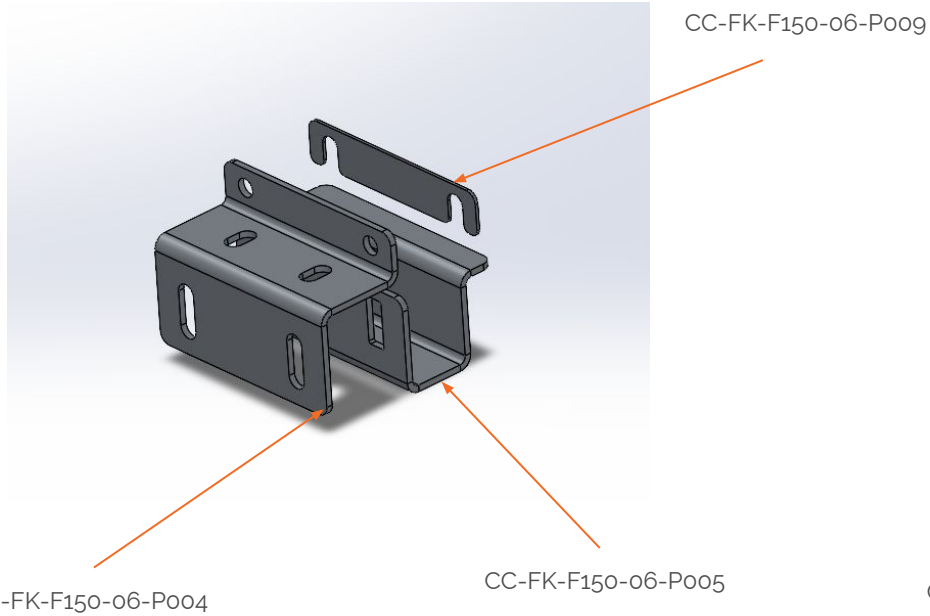
CC-FK-F150-06-P002

CC-FK-F150-06-P003

Part Number	Description	Qty
CC-FK-F150-06-P001	F150 BOTTOM SUPPORT BRACKET	1
CC-FK-F150-06-P002	F150 FILLER BOX RH	1
CC-FK-F150-06-P003	F150 FILLER BOX LH	1
CC-FK-F150-06-P004	F150 MOUNT BRACKET 02	8
CC-FK-F150-06-P005	F150 MOUNT BRACKET 01	8
CC-FK-F150-06-P006	F150 55 FRONT RIGHT FILLER BRACKET	1
CC-FK-F150-06-P007	F150 55 FRONT LEFT FILLER BRACKET	1
CC-FK-F150-06-P008	F150 55 FRONT FILLER BOTTOM BRACKET	1
CC-FK-F150-06-P009	F150 SHIM 1.5THK	32

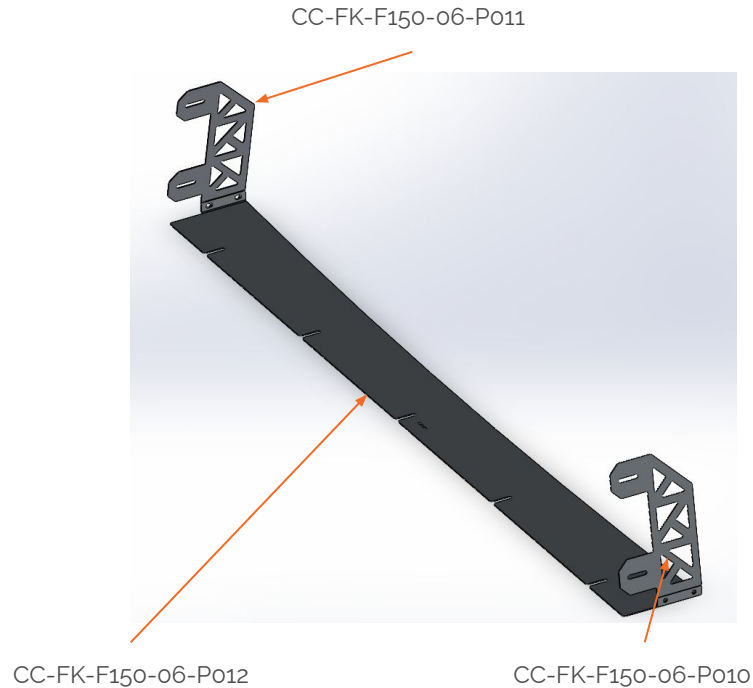
Installation Instructions

Canopy Fitment – Tools, Fasteners & Hardware



Installation Instructions

Canopy Fitment – Tools, Fasteners & Hardware

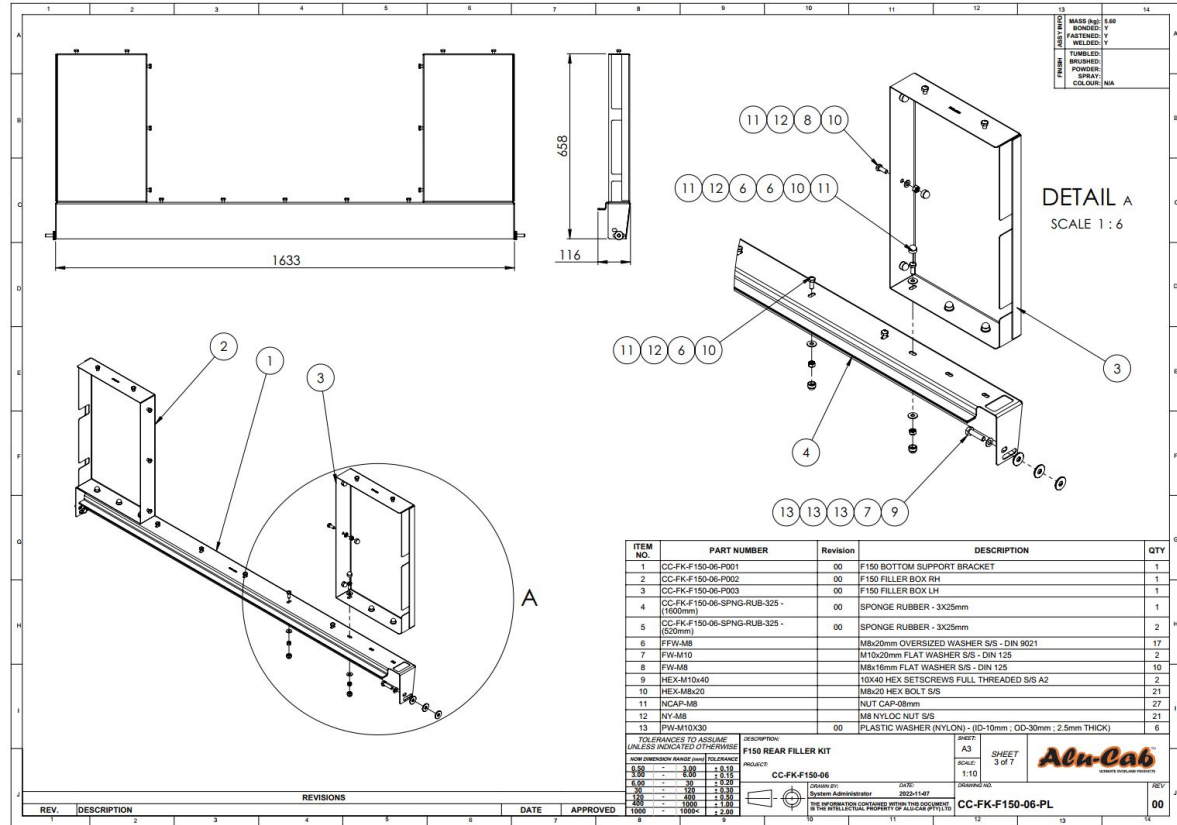


Part Number	Description	Qty
CC-FK-F150-06-P010	F150 65 FRONT RIGHT FILLER BRACKET	1
CC-FK-F150-06-P011	F150 65 FRONT LEFT FILLER BRACKET	1
CC-FK-F150-06-P012	F150 65 FRONT FILLER BOTTOM BRACKET	1

Installation Instructions

2

Rear Filler Panel Assembly:



Installation Instructions

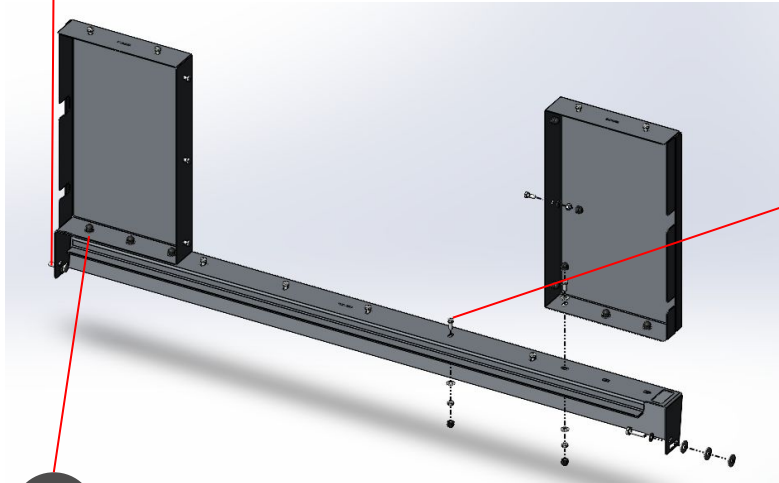
2

Rear Filler Panel Assembly:

Firstly attach the bottom support to vehicle using a M10x40 bolt, a washer and three plastic washers on the outside. Assemble side filler panels and bottom support.. Then fit lower door frame to filler panel assembly as shown.

2.1

Screw M10 x 40 Bolt into the Load-bin, place a M10 washer on the inside of the bottom support and three plastic washers on the outside

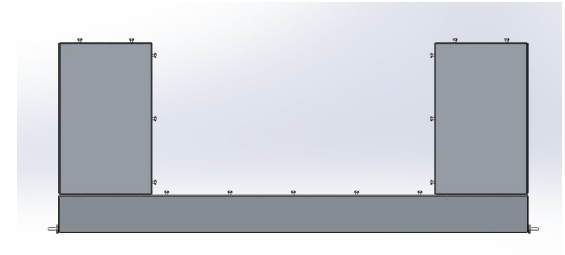


2.2

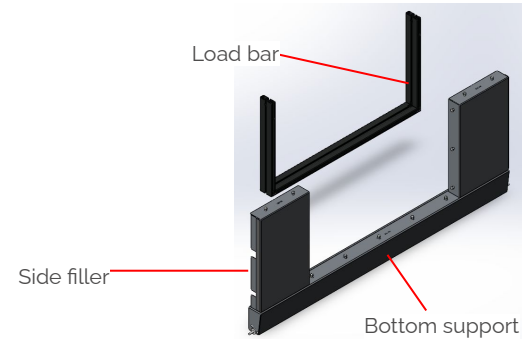
Attach the side fillers to the bottom support.

2.3

Place the hex bolts in the load bar track and then fasten the load bar down onto the bottom support with nuts underneath the bottom support.



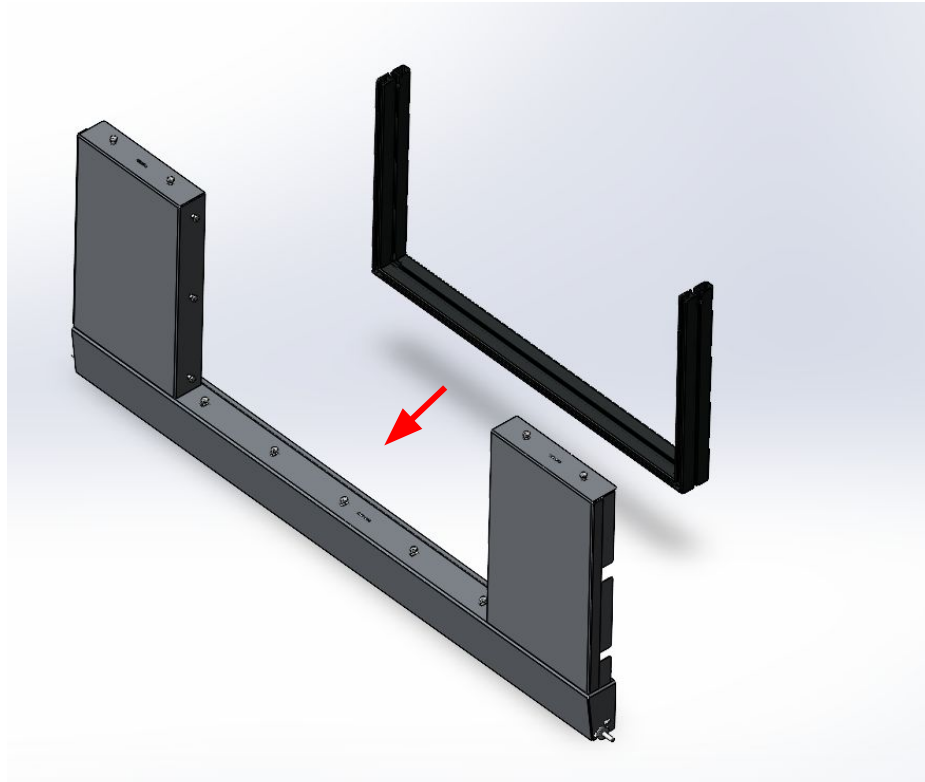
Example: Side fillers connected to bottom support



Installation Instructions

3

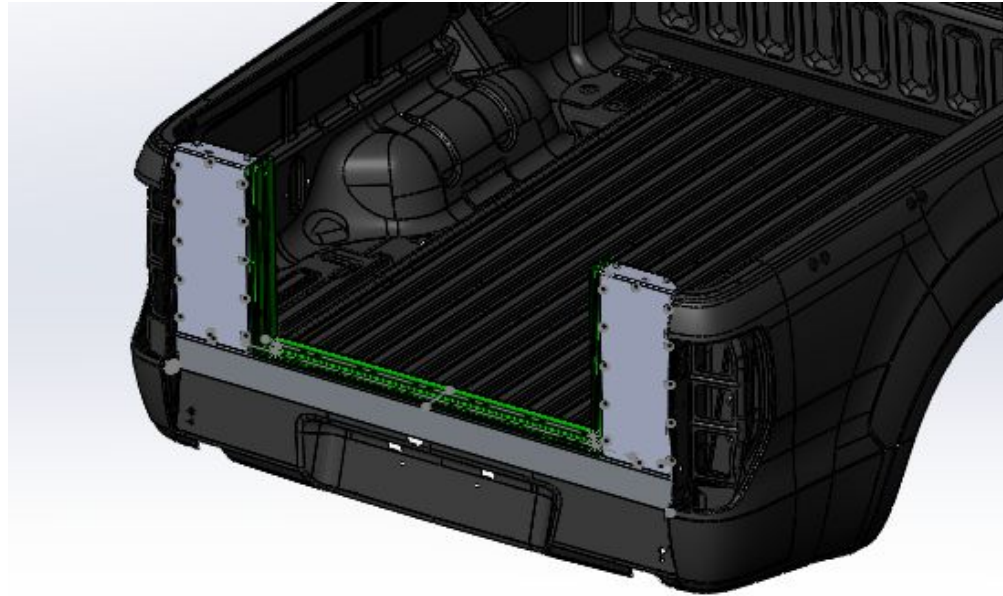
Fit lower door frame to filler panel assembly as shown:



Installation Instructions

3.1

Mount filler panel assembly to load bin as shown:



Installation Instructions

3.2

Front Filler Panels:

The drawing shows the front filler panels for an Alu-Cab. It includes a main assembly view, a detail view (DETAIL B) at a scale of 1:5, and a parts list table. The drawing is framed by a coordinate grid with columns 1-14 and rows A-H.

DETAIL B
SCALE 1 : 5

ITEM NO.	PART NUMBER	Revision	DESCRIPTION	QTY
1	CC-FK-F150-06-P006	00	F150 55 FRONT RIGHT FILLER BRACKET	1
2	CC-FK-F150-06-P007	00	F150 55 FRONT LEFT FILLER BRACKET	1
3	CC-FK-F150-06-P008	00	F150 55 FRONT FILLER BOTTOM BRACKET	1
4	FW-MB		M8x16mm FLAT WASHER SIS - DIN 125	17
5	HEX-M8x20		M8x20 HEX BOLT SIS	13
6	NCAP-M8		NUT CAP-08mm	13
7	NY-M8		M8 NYLOC NUT SIS	13

REV.	DESCRIPTION	DATE	APPROVED

TOLERANCES TO ASSUME UNLESS INDICATED OTHERWISE <small>HOW DIMENSION VALUES ARE TO BE USED</small>		DESCRIPTION: F150 55 FRONT FILLER ASSEMBLY PROJECT: CC-FK-F150-06 DRAWN BY: Chabus M. Remy DATE: 2023-11-07 CHECKED BY: JORGAN G. VAN	SHEET: A3 SCALE: 6 of 7 DRAWING NO: CC-FK-F150-06-PL
±0.10	±0.10		
±0.20	±0.20		
±0.30	±0.30		
±0.50	±0.50		
±1.00	±1.00		
±2.00	±2.00		
±3.00	±3.00		
±5.00	±5.00		
±10.00	±10.00		

THE INFORMATION CONTAINED HEREIN IS UNCLASSIFIED
 AND IS THE INTELLECTUAL PROPERTY OF ALU-CAB PTY LTD

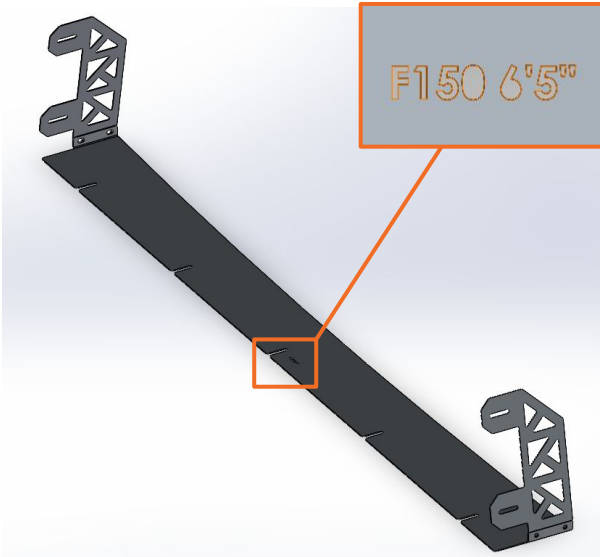
Alu-Cab
www.alu-cab.com

Installation Instructions

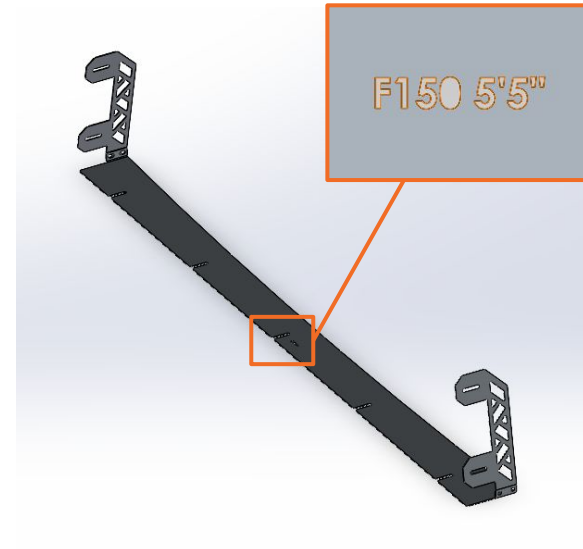
3.2

Front Filler Panels:

Choose the correct front filler assembly depending on the length of your load bin. They have been marked as indicated in the images.



6.5Ft Front Filler (100mm wide)



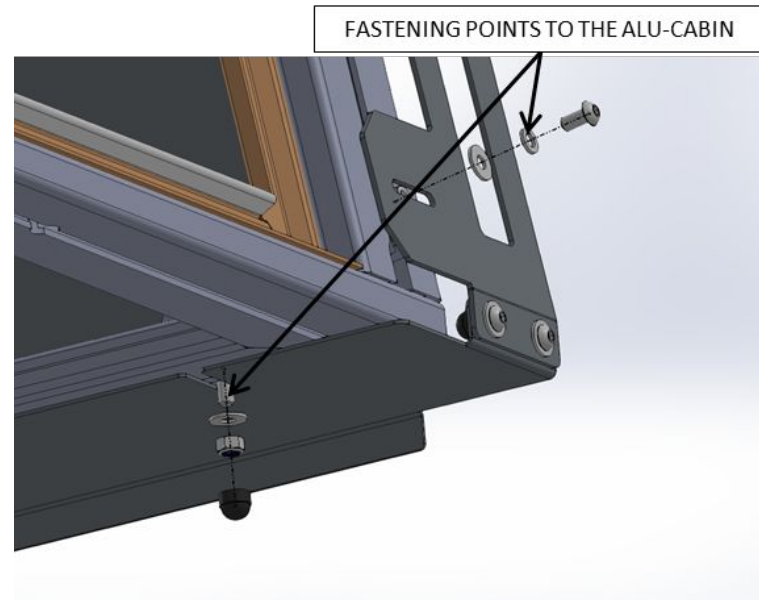
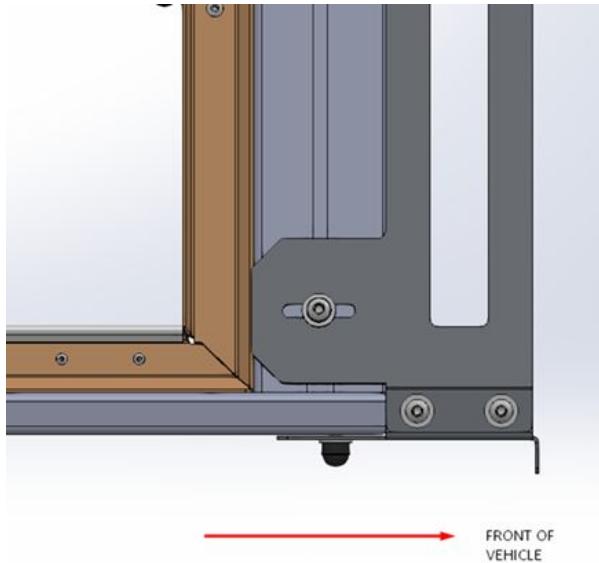
5.5Ft Front Filler (55mm wide)

Installation Instructions

3.2

Front Filler Panels:

Mount Front filler by sliding supplied M8x16 hex head bolts into the Alu-Cabin Front loadbar, and fastening the front filler bottom bracket to the frame using the supplied M8 Nylock Nuts. Fit the side support brackets to the outside of the Alu-Cabin using the supplied fasteners.

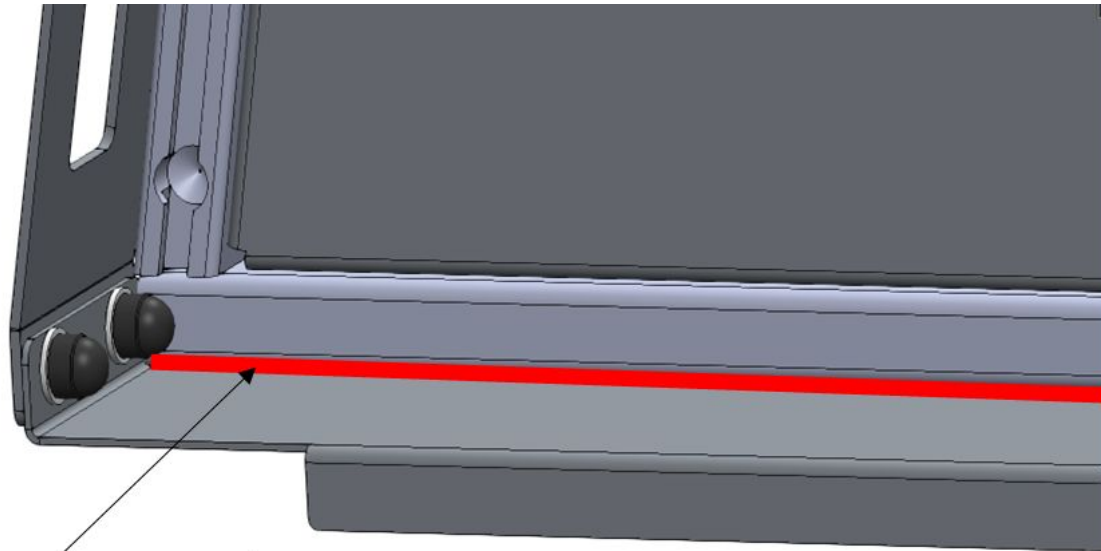


Installation Instructions

3.2

Front Filler Panels:

With everything fastened securely apply a bead of Black Sikaflex to seal the front filler panels.

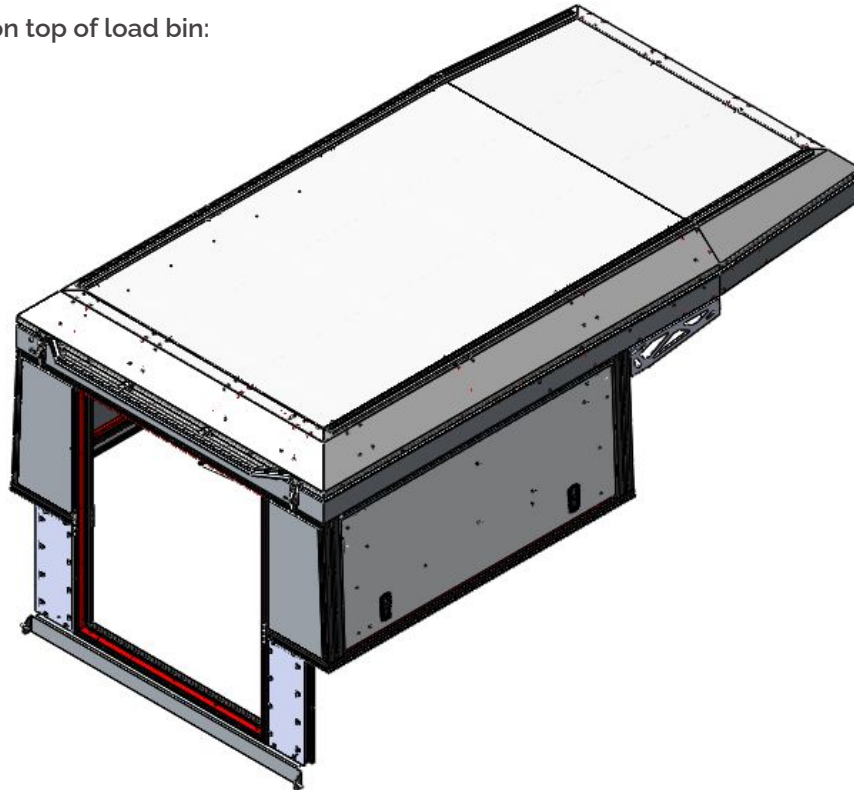


APPLY SICKAFELX TO SEAL ALONG
LENGTH OF THE FRONT FILLER
BRACKET

Installation Instructions

3.3

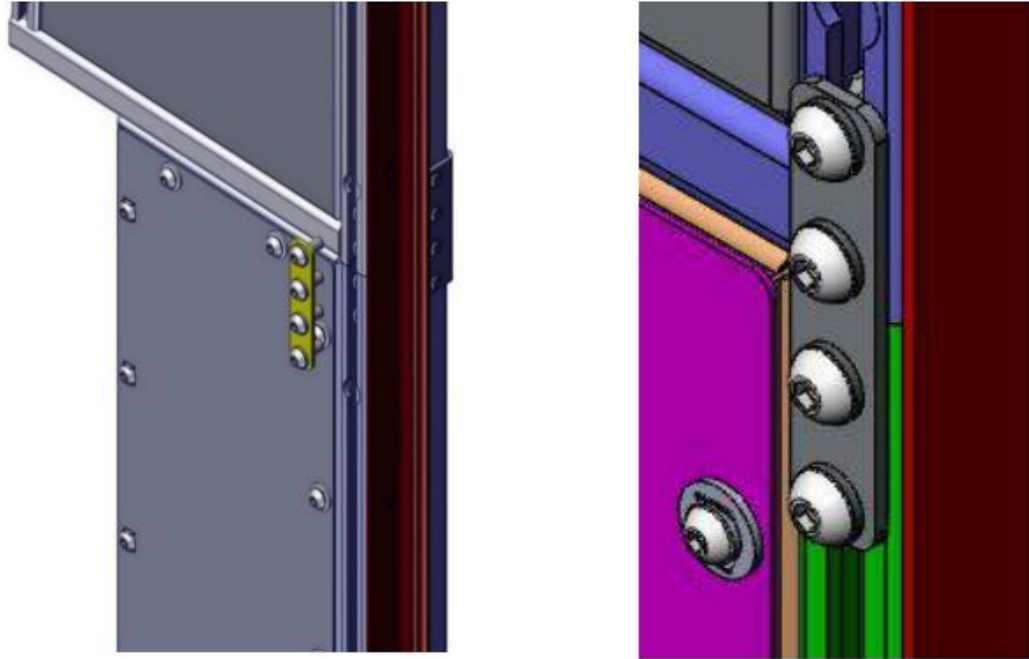
Mount canopy camper base unit on top of load bin:



Installation Instructions

4

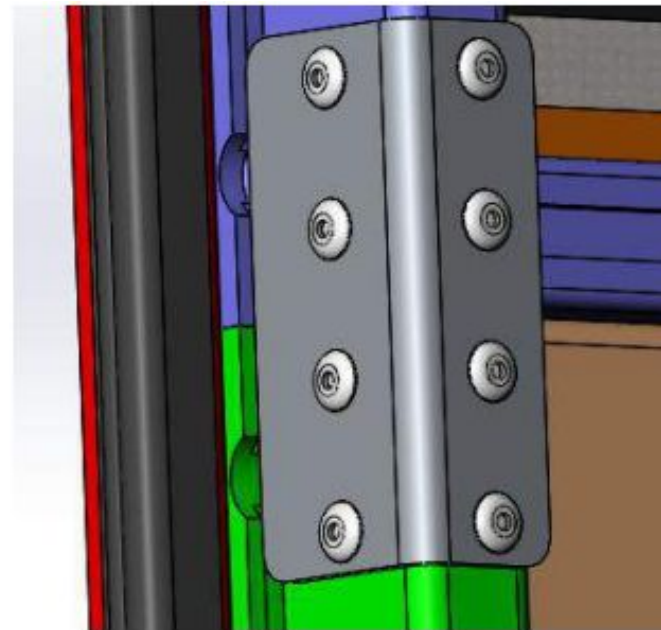
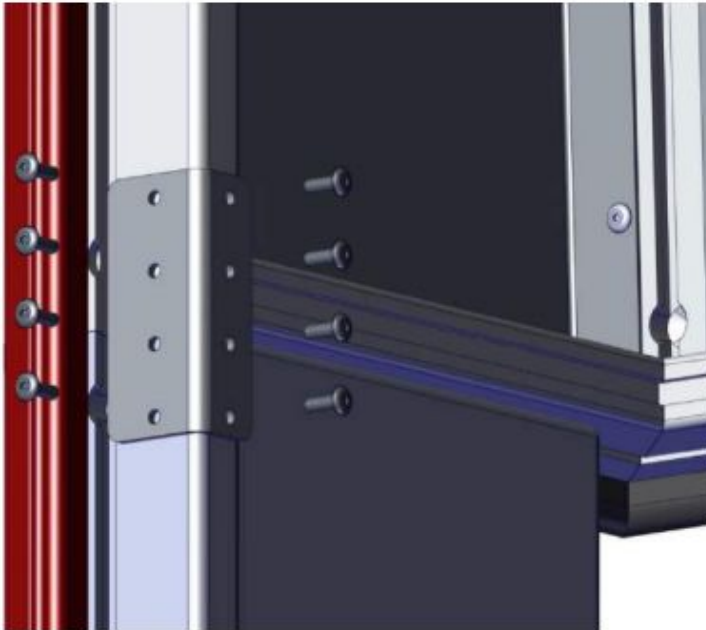
Connect rear filler panel assembly and base unit as shown:



OUTER MOUNTING ON BOTH JOINTS

Installation Instructions

4.1 Connect rear filler panel assembly and base unit as shown:



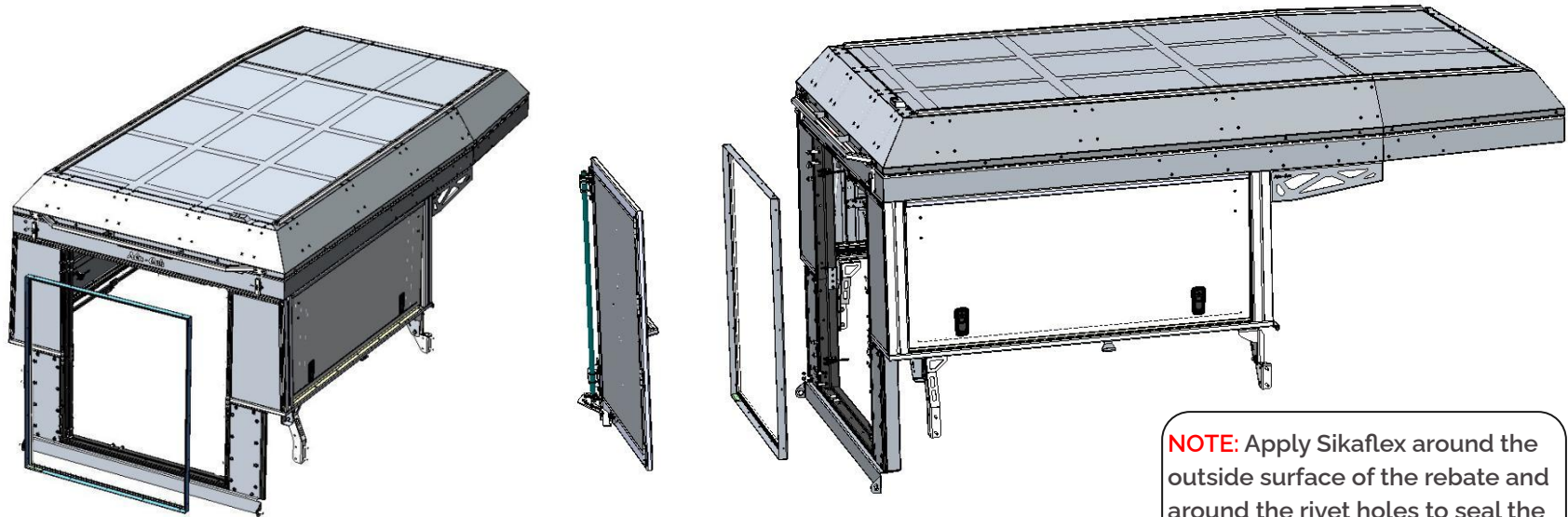
INNER MOUNTING ON BOTH JOINTS

Installation Instructions

5

Rebate and Door Assembly:

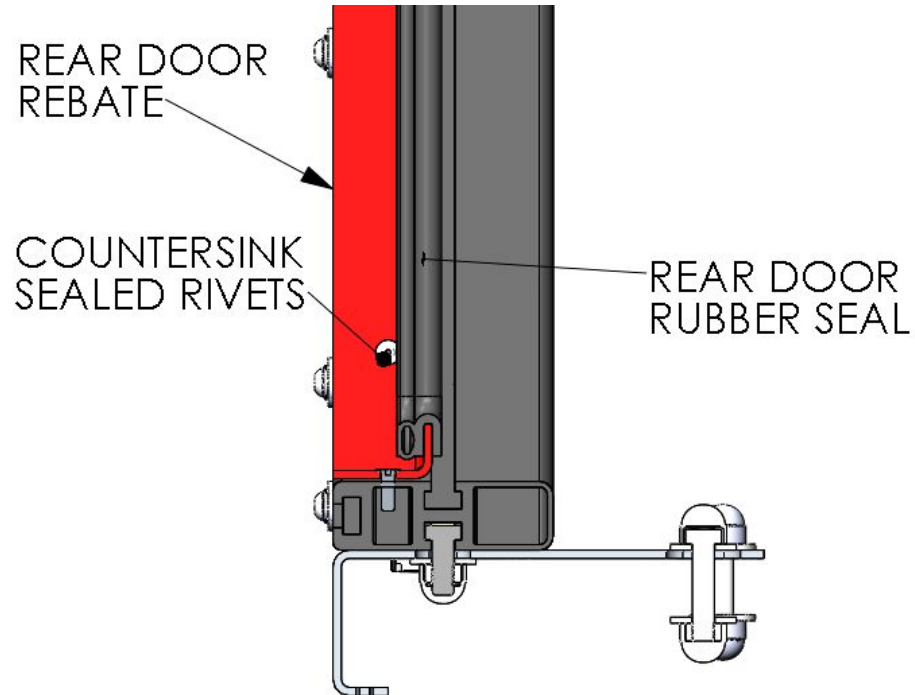
Fit rear door rebate with $\varnothing 4.8 \times 15$ sealed countersunk rivets as shown.



NOTE: Apply Sikaflex around the outside surface of the rebate and around the rivet holes to seal the rebate.

Installation Instructions

5.1 Rebate and Door Assembly:

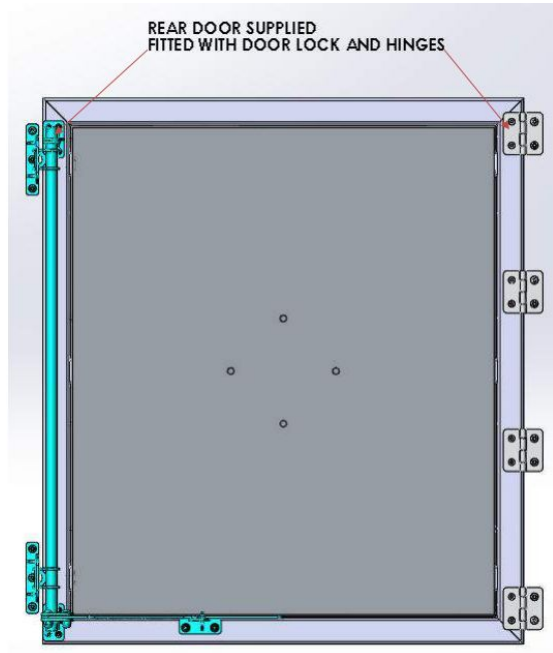


Installation Instructions

6

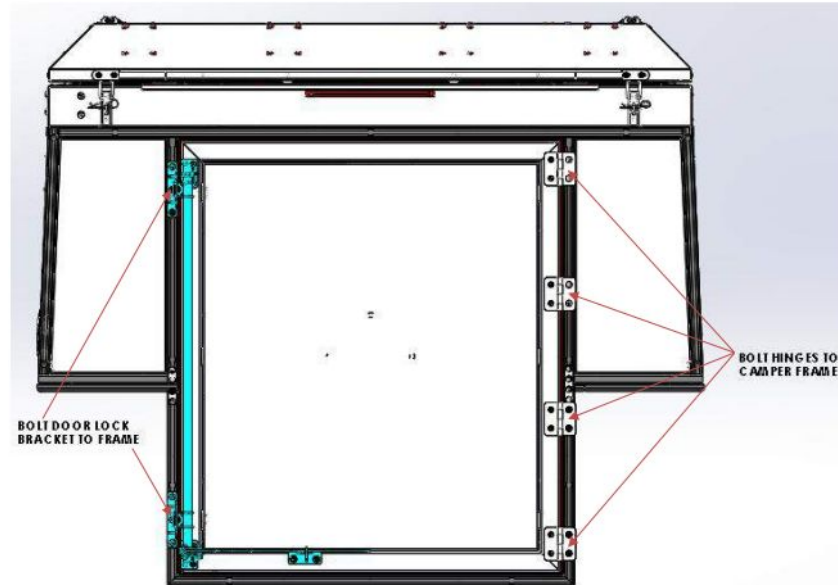
Rear door mounting:

Fit rear door by mounting 4 x Butt hinges to camper frame as shown. Centre rear door, top to bottom and the hinge centres left to right. Also mount the door lock to the camper frame.



7

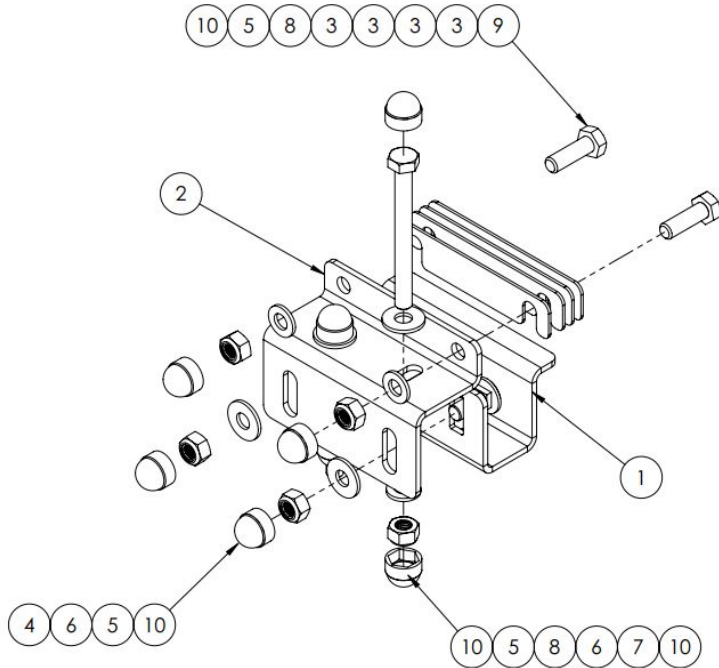
Attach hinges and lock to camper frame:



Installation Instructions

7

Mounting Brackets:



7.1

Hardware supplied to fit Mounting Brackets:

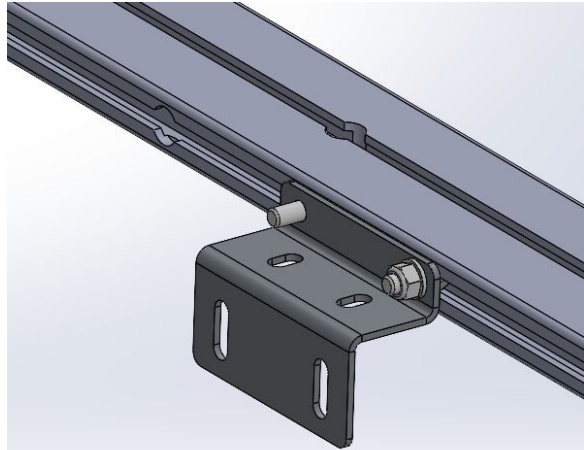
ITEM NO.	PART NUMBER	Revision	DESCRIPTION	QTY
1	CC-FK-F150-06-P005	00	F150 MOUNT BRACKET 01	8
2	CC-FK-F150-06-P009	00	F150 SHIM 1.5THK	32
3	FFW-M8		M8x20mm OVERSIZED WASHER S/S - DIN 9021	32
4	FW-M8		M8x16mm FLAT WASHER S/S - DIN 125	32
5	HEX-M8x25		M8x25 HEX BOLT S/S	16
6	HEX-M8x80		M8x80 HEX BOLT S/S	16
7	NCAP-M8		NUT CAP-08mm	64
8	NY-M8		M8 NYLOC NUT S/S	48
9	SQN-M8x20		M8x20 CUP SQ BOLT S/S	16
10	BX-BB		BRACKET - BOX	1
11	CC-FK-F150-06-P004	00	F150 MOUNT BRACKET 02	8

Installation Instructions

7.2

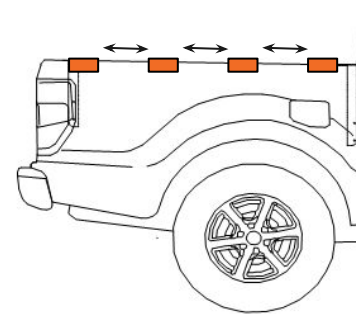
Installing the Top Half of the Mounting Brackets:

Firstly we need to install the top half of the Mounting Bracket to the Alu-Cabin frame



Insert two M8x25 Bolts into the Alu-Cabin Load Bar frame and slide the top half over the bolts, Tighten the nyloc bolts only slightly to ensure the brackets can still be moved should it be necessary to move them later.

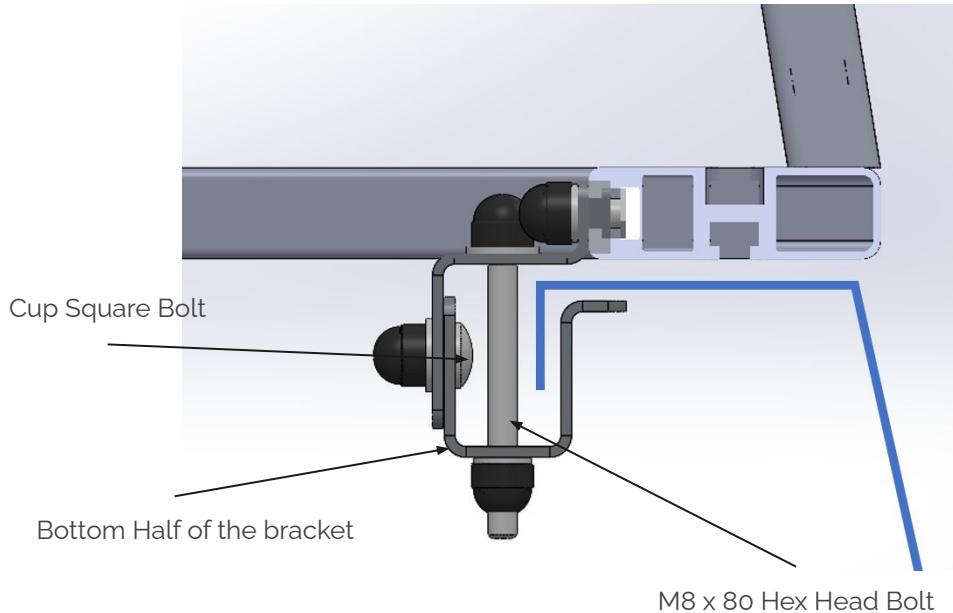
The kit comes 8 sets of mounting brackets, install 4 on each side ensuring that the spacing is equal between the brackets.



Installation Instructions

7.3

Installing the Top Half of the Mounting Brackets:



With the top brackets in place install the bottom half of the bracket

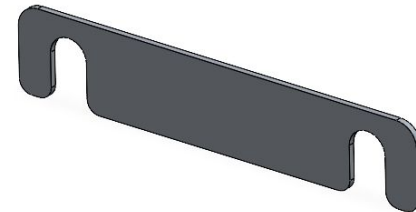
Ensure the flange on the bracket slides under the skin of the load-bin

This will pull the canopy camper down on to the load bin and hold it securely in place

Use the supplied M8x20 Cup Square nuts to align the slots in the top and bottom bracket

Lastly use the M8x80 hex head bolt to fasten the Alu-Cabin to the load bin.

Should you need to move the top bracket off the Alu-Cabin use the supplied shims.



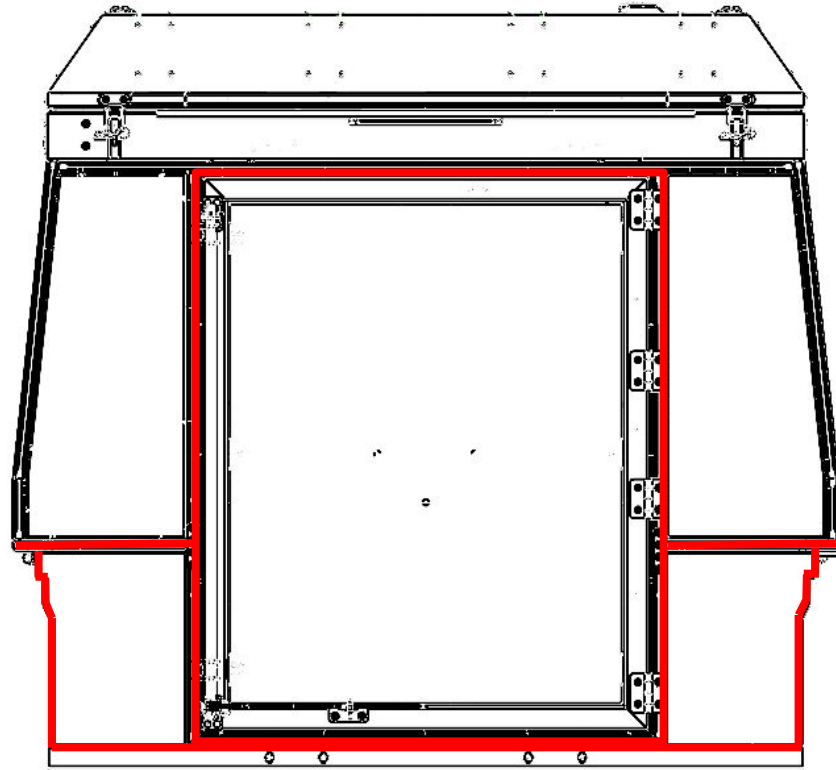
Installation Instructions

8

Sealing canopy to base:

Use Sikaflex where there are shut / joining lines between parts that are not welded

Red line indicate when Sikaflex needs to be applied to seal between assembled parts



Installation Instructions

8

Sealing canopy to base:

Use Sikaflex where there are shut / joining lines between parts that are not welded.



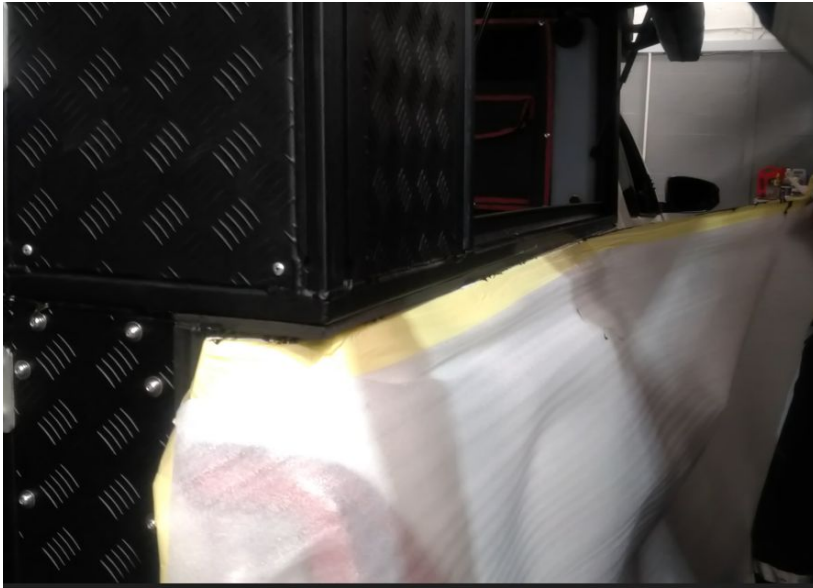
Dip one's finger into soapy water and smooth over the sealant by gently running a finger over the bead.

Installation Instructions

9

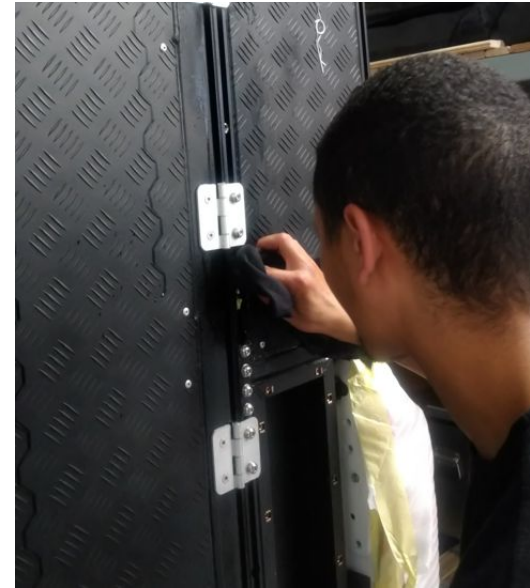
OPTIONAL Sealing canopy to vehicle body:

Use Sikaflex between the Canopy Camper and the vehicle body



Ensure that the rest of the vehicle is covered against any extra sealant or spillage when sealing the canopy camper to the vehicle's body.

NOTE: This step is only done at the customer's approval.



Use Turpentine and a cloth to clean away any extra sealant or mess

Disclaimer

All rights reserved. No part of this website may be reproduced, translated, stored in a retrieval system, or transmitted, in any form or by any means, electronic, mechanical, photocopying, recording or otherwise, without prior written permission of the owner.

Review all instructions information carefully before installation.

Any damages, direct or incidental to the installer and/or property due to incorrect installation of any parts are the responsibility of the installer. Due to the various applications and fitment options available, the responsibility lies with the user to ensure all mounting points are secure and tight before every trip.

If unsure, consult with your Distributor regarding the operations of our products.

Users are advised to be mindful of the load they are carrying and drive in accordance with road conditions.

WARNING

Always wear appropriate PPE (Personal protection equipment) when fitting our products. Although the mounting kit is designed to be DIY, if you have any doubts or concerns, contact an accredited fitment centre to carry out the work. Alu-Cab will not be liable for any injury to persons, and/or damage to products and/or vehicles.

While Alu-Cab Holdings takes reasonable measures to ensure that the contents of this Website are accurate and complete, Alu-Cab Holdings makes no representations or warranties, whether express or implied, as to the quality, timeliness, operation, integrity, availability or functionality of this Website or as to the accuracy, completeness or reliability of any information on this Website. Alu-Cab Holdings reserves the right to make changes, corrections and/or improvements to the information and to the products and programs described in such information, at any time without notice.

Alu-Cab Holdings will use reasonable endeavours to maintain the availability of the Website, except during scheduled maintenance periods, and reserves the right to discontinue providing the Website or the service or any part thereof with or without notice to you. Any person who accesses this Website or relies on this Website or on the information contained in this Website does so at his or her own risk.

Occasionally, at our discretion, we may include or offer third-party products or services on our website. These third-party sites have separate and independent privacy policies. We therefore have no responsibility or liability for the content and activities of these linked sites. Nonetheless, we seek to protect the integrity of our site and welcome any feedback about these sites.