

FITMENT INSTRUCTIONS

Alu-Cab™



TOYOTA TUNDRA ALU-CABIN [2007-2021]

All rights reserved. No part of this document may be reproduced, translated, stored in a retrieval system, or transmitted, in any form or by any means, electronic, mechanical, photocopying, recording or otherwise, without prior written permission of the owner.

Review all instructions information carefully before installation.

Any damages, direct or incidental to the installer and/or property due to incorrect installation of any parts are the responsibility of the installer. Due to the various applications and fitment options available, the responsibility lies with the user to ensure all mounting points are secure and tight before every trip. If unsure, consult with your Distributor regarding the operations of our products.

Users are advised to be mindful of the load they are carrying and drive in accordance with road conditions.

DISCLAIMER

Alu-Cab

Tools and Consumables Required for Installation of the Canopy Camper

1. Required Tools

Tool	Application
Ratchet	Used to tighten down fasteners
13mm Ring Flat Spanner	Used to tighten M8 fasteners
19mm Ring Flat Spanner	Used to tighten M12 fasteners
T-40 Spline Socket	Used to remove OEM Bolts
5mm Allen Key Socket	Used to tighten M8 button-heads
13mm Socket	Used to tighten M8 fasteners
19mm Socket	Used to tighten M12 fasteners
Square Extension	Used with ratchet

2. Consumables

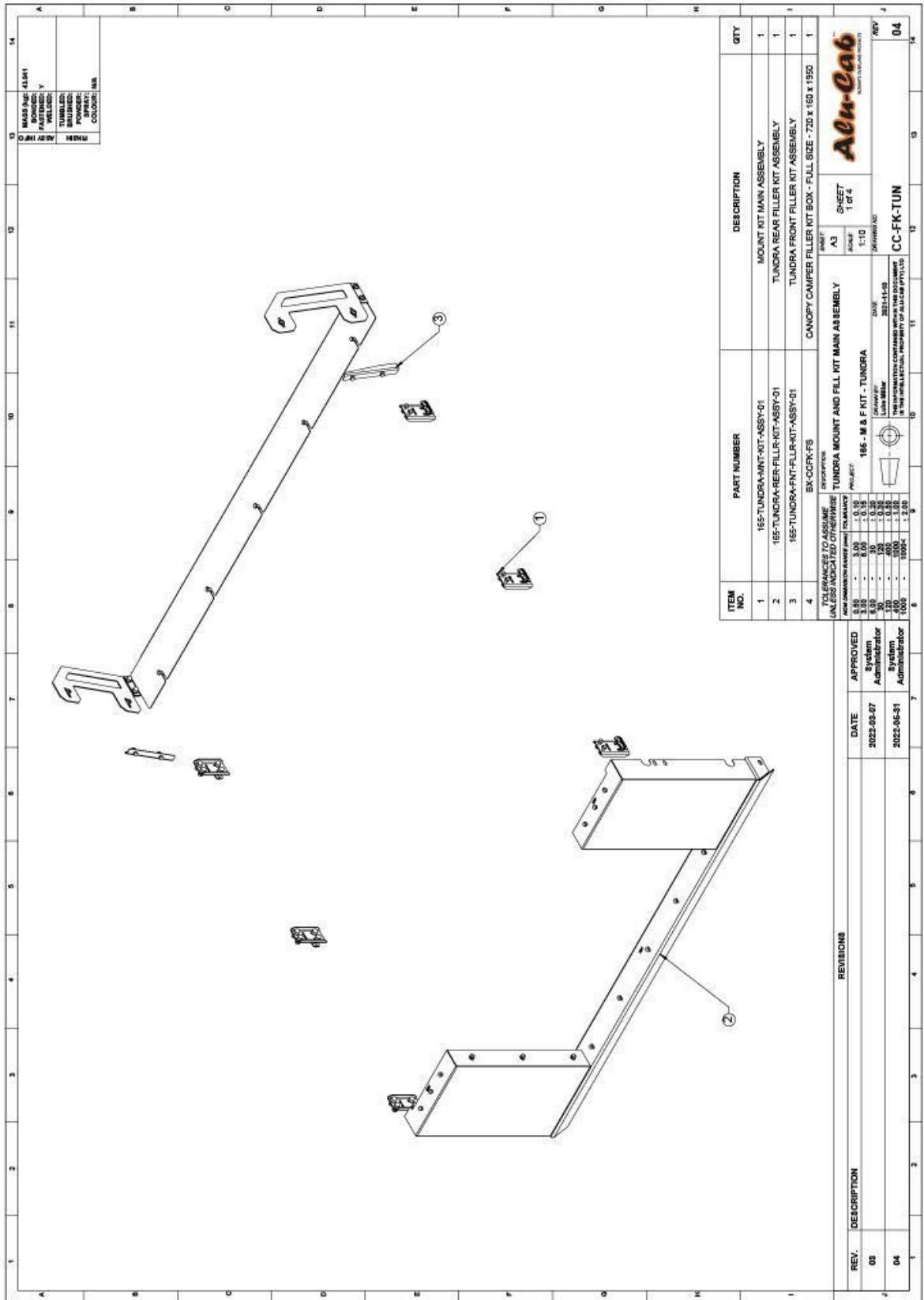
Consumable	Application
Black UV 521 Sikaflex	Used to seal the Canopy Camper once installed
Rags	Used to clean up after install



WARNING

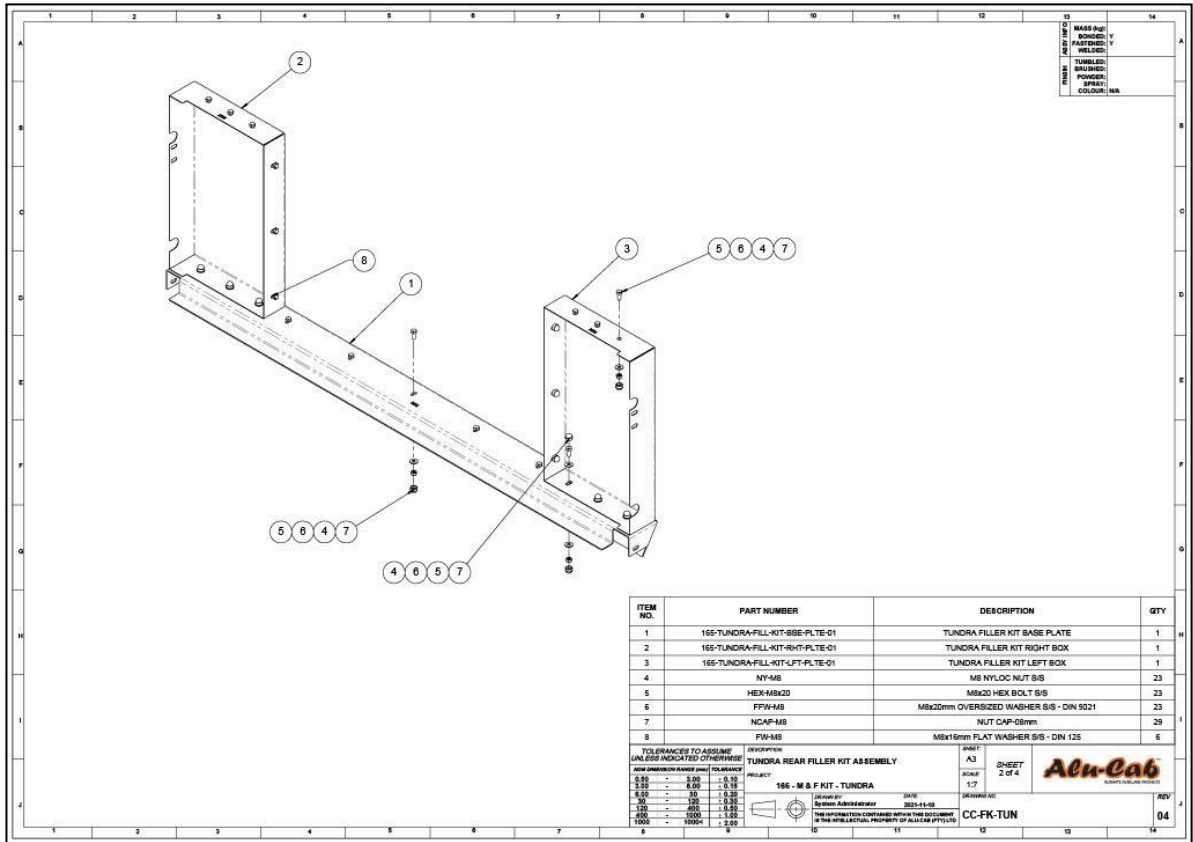
Always wear appropriate PPE (Personal protection equipment) when fitting this product. Although the mounting kit is designed to be DIY, if you have any doubts or concerns, contact an accredited fitment centre to carry out the work. Alu-Cab will not be liable for any injury to persons, and/or damage to products and/or vehicles.

Mounting and filler kit component identification



Rear Filler Kit - Component Identification

The Rear Filler Assembly is made up of three main sheet metal parts, the inside boxes as well as the bottom filler bracket. Begin by removing the tailgate in preparation.



ITEM NO.	PART NUMBER	DESCRIPTION	QTY
1	165-TUNDRA-FILL-KIT-BSE-PLT E-01	TUNDRA FILLER KIT BASE PLATE	1
2	165-TUNDRA-FILL-KIT-RHT-PLT E-01	TUNDRA FILLER KIT RIGHT BOX	1
3	165-TUNDRA-FILL-KIT-LFT-PLT E-01	TUNDRA FILLER KIT LEFT BOX	1
4	NY-M8	M8 NYLOC NUT S/S	23
5	HEX-M8x20	M8x20 HEX BOLT S/S	23
6	FFW-M8	M8x20mm OVERSIZED WASHER S/S - DIN 9021	23
7	NCAP-M8	NUT CAP-08mm	29
8	FW-M8	M8x16mm FLAT WASHER S/S - DIN 125	6

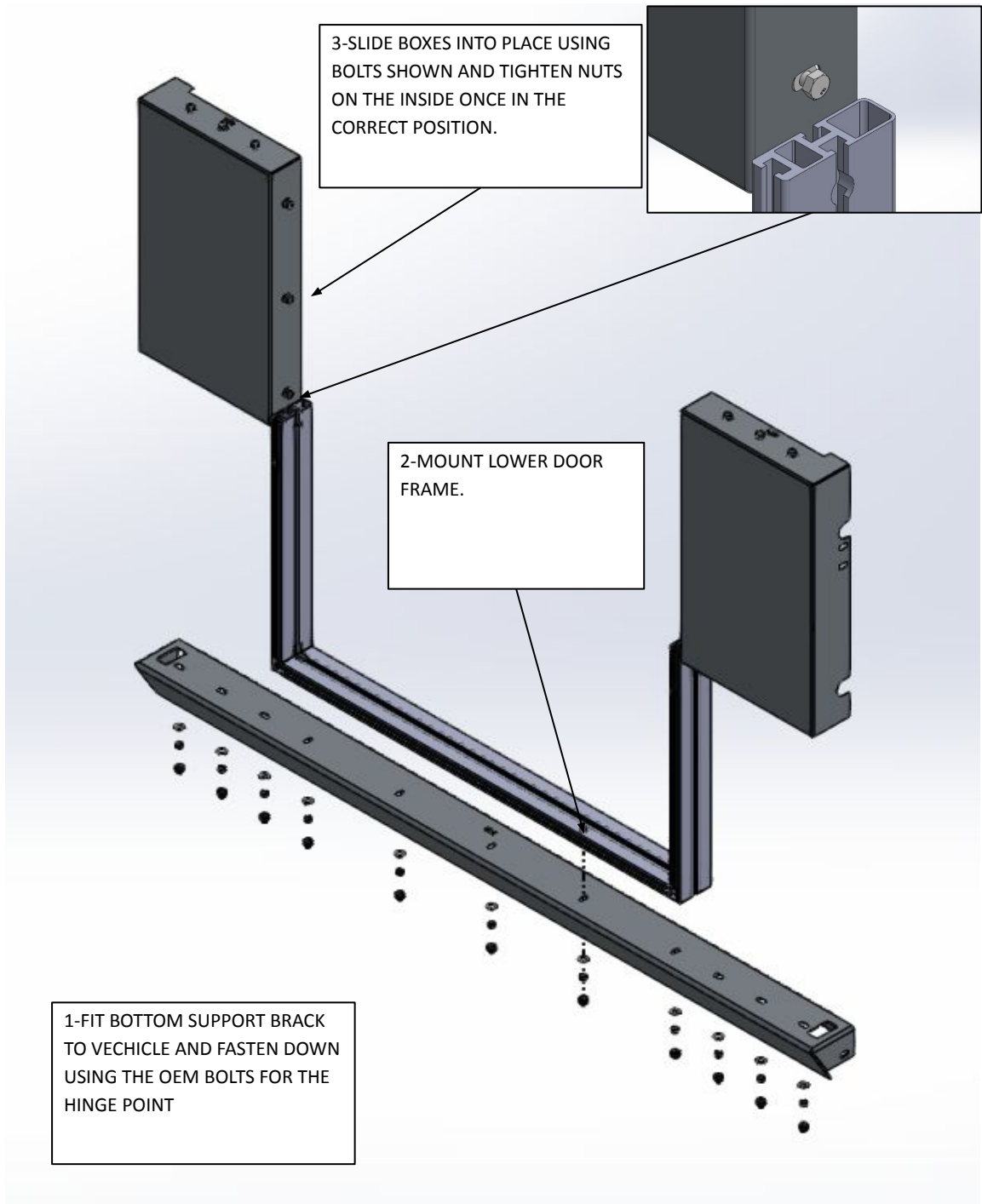
Rear Filler Kit – Installation

The OEM bolts as indicated below need to be removed along with the tailgate before the rear filler kit can be installed. Ensure the bolts are kept in a safe location so that they are not lost as they will be required in a later part of the installation.

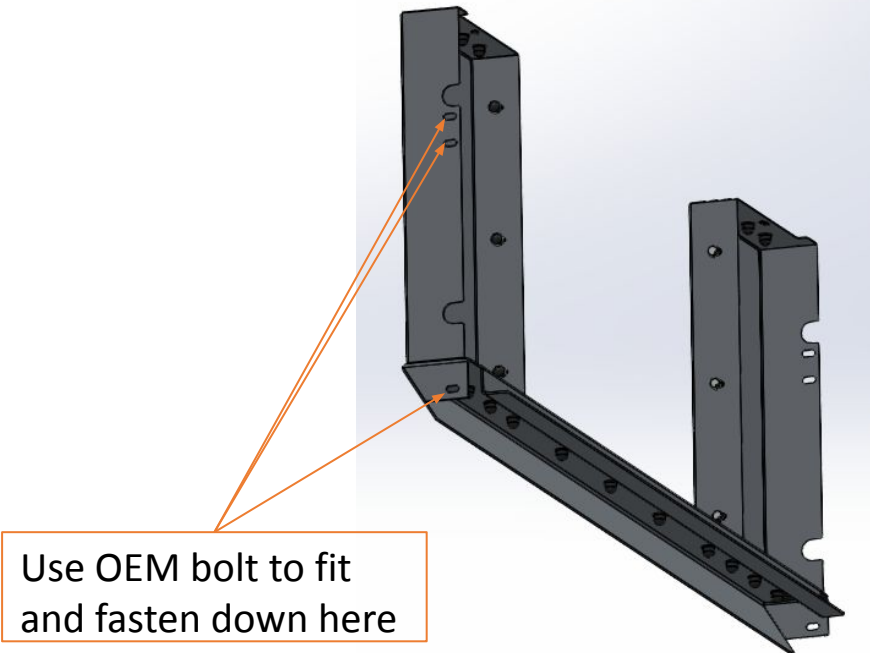


Rear Filler Kit - Assembly

The rear filler kit needs to be assembled in the correct order. The below image indicates steps one through to three for assembling this kit



Rear Filler Kit - Assembly



Use OEM bolt to fit and fasten down here

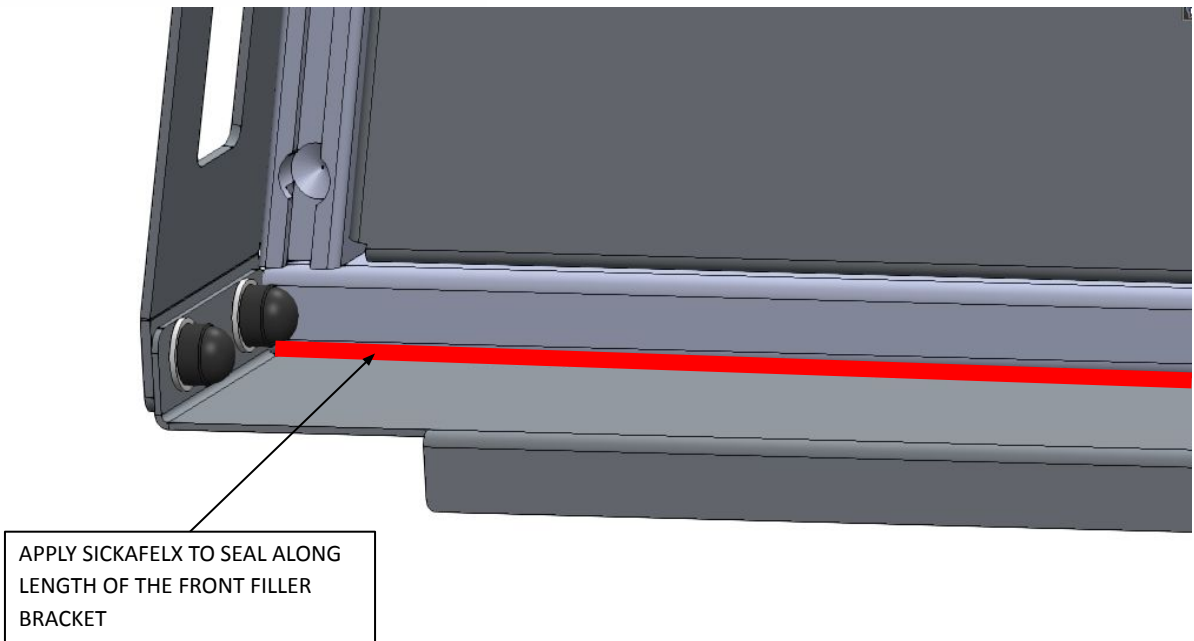
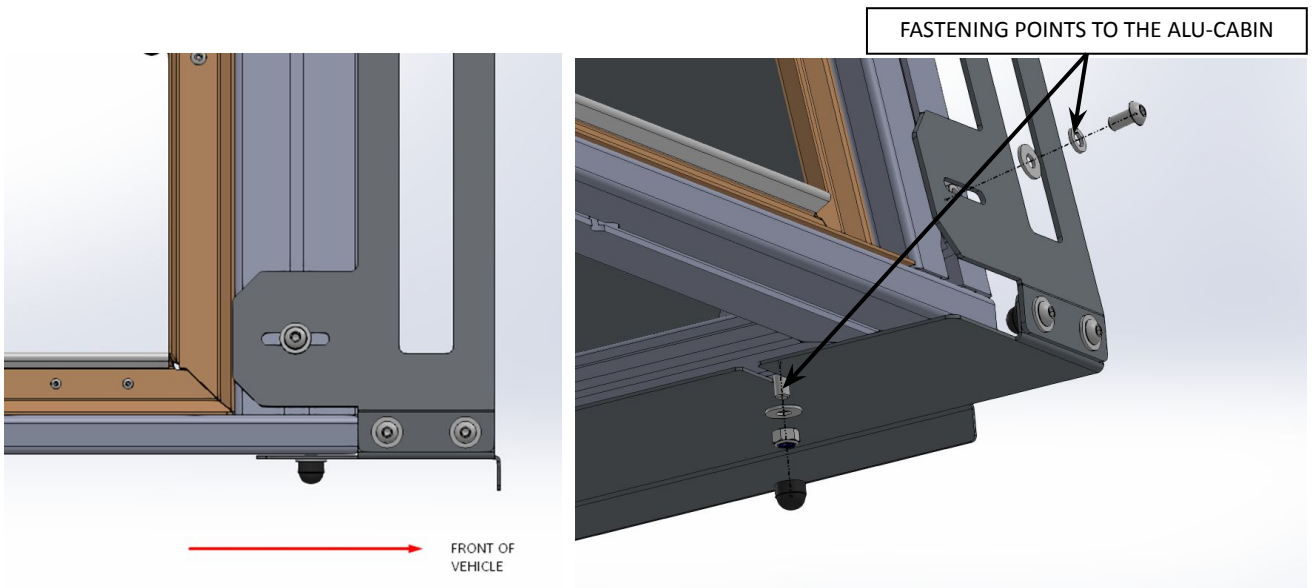
OEM bolts removed earlier. Please ensure the bolts securing the Tail-lights are reinstalled as well



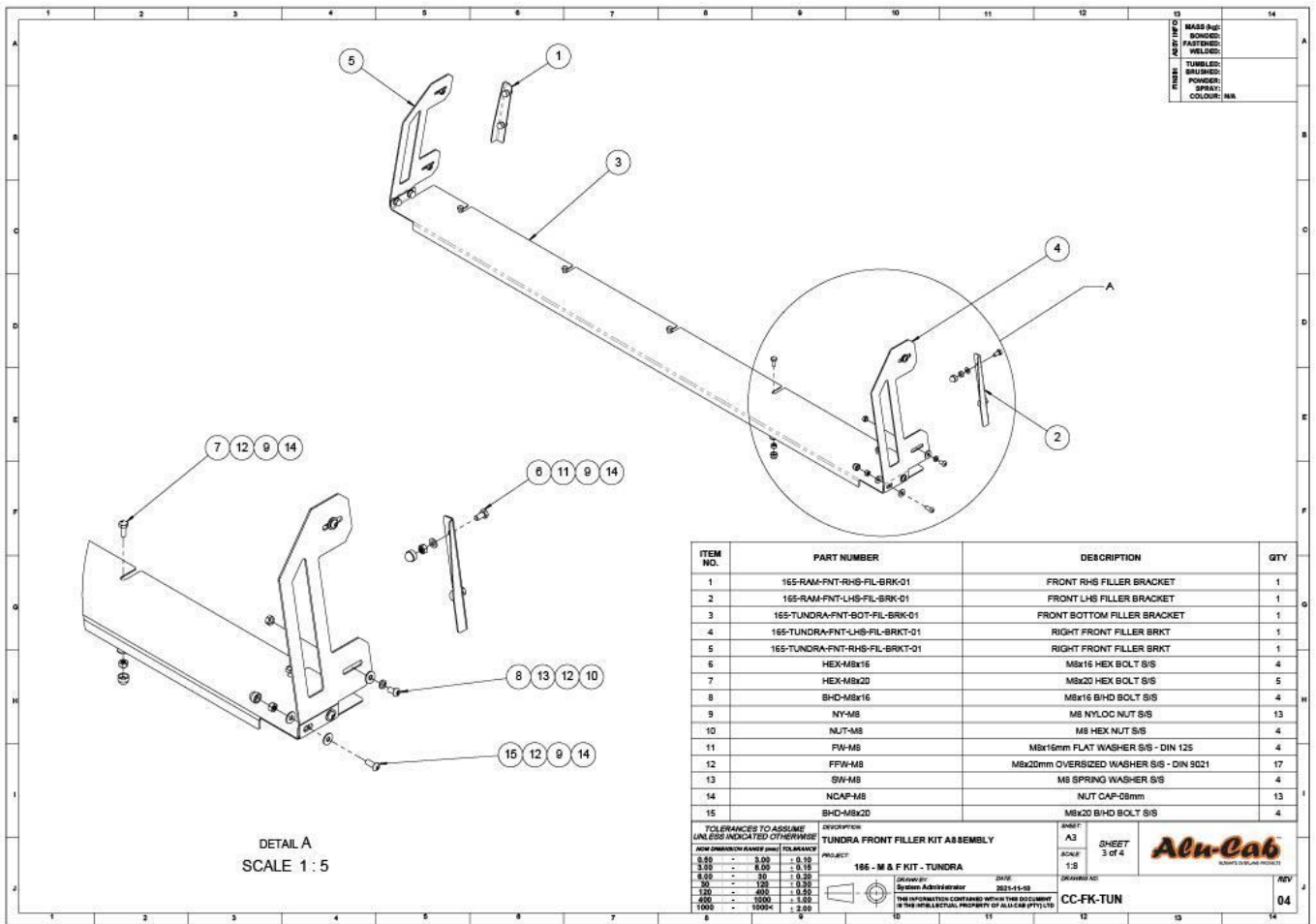
Front Filler Kit - Installation

The front filler is composed of 3 separate parts and is only required if the vehicle is of the 6,5ft variety. Skip ahead to the installation of the base unit if you are installing the 5,5ft variety (page 9).

The front filler is fitted to the camper directly before mounting the camper on the Load bin. Slide the bolts indicated in the drawing into the bottom nut slot of the frame and line them up with the slots cut into the bracket. Fasten the bracket down using a washer and nylock nut. Lastly apply Black Sikaflex to the front ensuring a weatherproof seal. The left and right brackets can then be installed adding some rigidity to the entire assembly



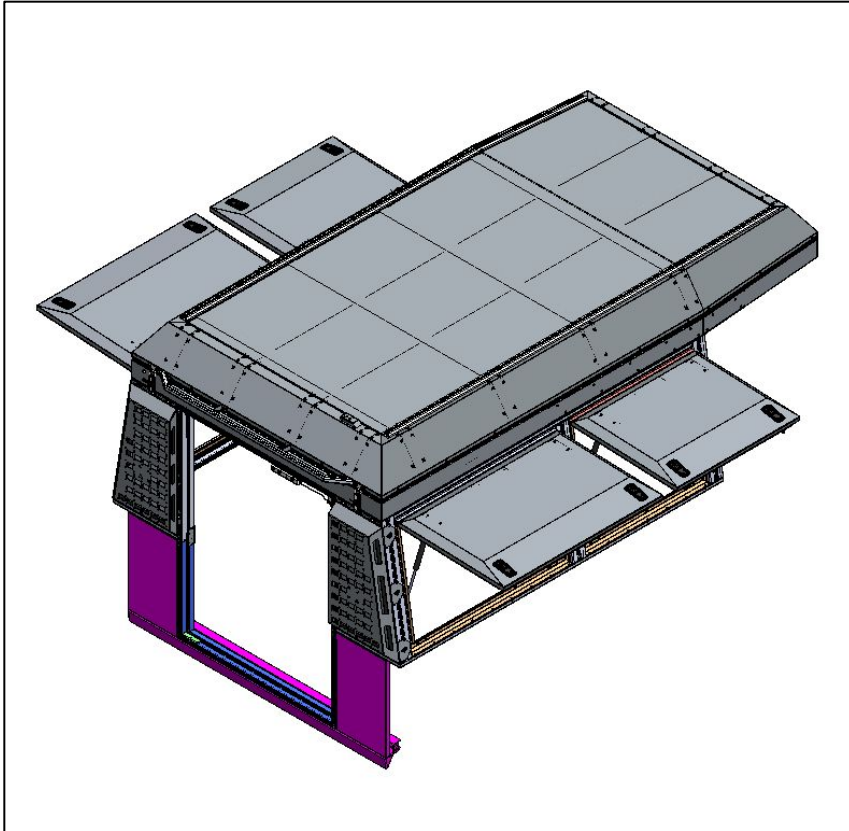
Front filler component identification



ITEM NO.	PART NUMBER	DESCRIPTION	QTY
1	165-RAM-FNT-RHS-FIL-BRK-01	FRONT RHS FILLER BRACKET	1
2	165-RAM-FNT-LHS-FIL-BRK-01	FRONT LHS FILLER BRACKET	1
3	165-TUNDRA-FNT-BOT-FIL-BRK-01	FRONT BOTTOM FILLER BRACKET	1
4	165-TUNDRA-FNT-LHS-FIL-BRKT-01	RIGHT FRONT FILLER BRKT	1
5	165-TUNDRA-FNT-RHS-FIL-BRKT-01	RIGHT FRONT FILLER BRKT	1
6	HEX-M8x16	M8x16 HEX BOLT S/S	4
7	HEX-M8x20	M8x20 HEX BOLT S/S	5
8	BHD-M8x16	M8x16 B/HD BOLT S/S	4
9	NY-M8	M8 NYLOC NUT S/S	13
10	NUT-M8	M8 HEX NUT S/S	4
11	FW-M8	M8x16mm FLAT WASHER S/S - DIN 125	4
12	FFW-M8	M8x20mm OVERSIZED WASHER S/S - DIN 9021	17
13	SW-M8	M8 SPRING WASHER S/S	4

Canopy Camper Base Unit - Installation & Assembly

Seating the Base Unit

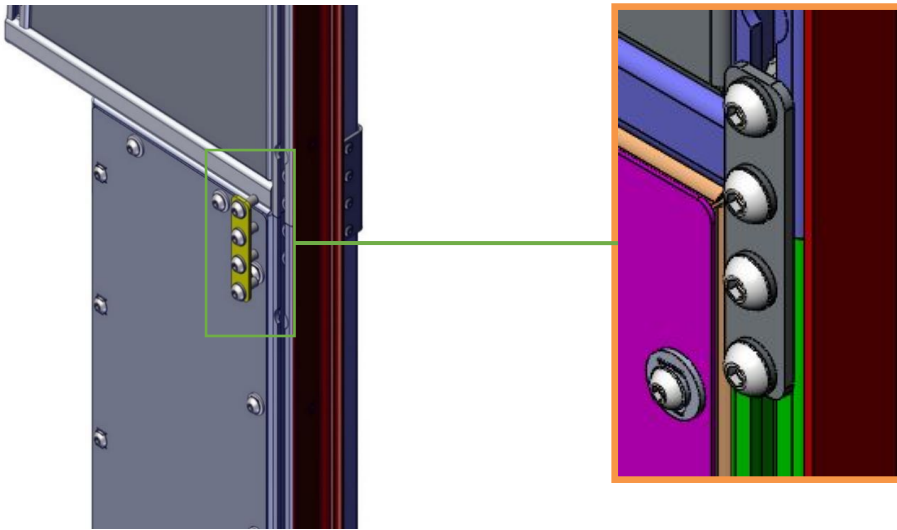


Attach the gasket material to the lower seating surface of the Canopy Camper's base frame - Refer to the stand-alone Fitment Instruction for this process.

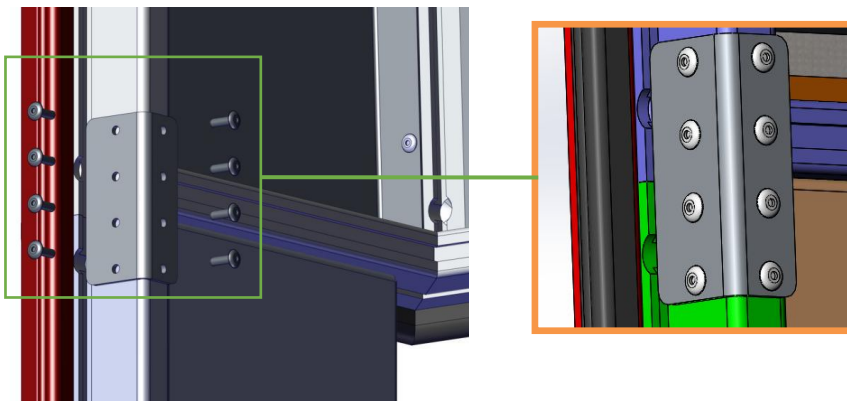
Lower the Canopy Camper Base Unit onto the already mounted Rear Filler Assembly, as shown in the image above, and align the lower and upper portions of the door frame.

Base Unit to Rear Filler Assembly Connection

Using the supplied hardware, fasten the lower and upper door frames together, on each side of the **EXTERNAL** door opening. See images below:



Using the supplied hardware, fasten the lower and upper door frames together, on each side of the **INTERNAL** door opening. See images below:



Mounting Bracket Kit - Component Identification

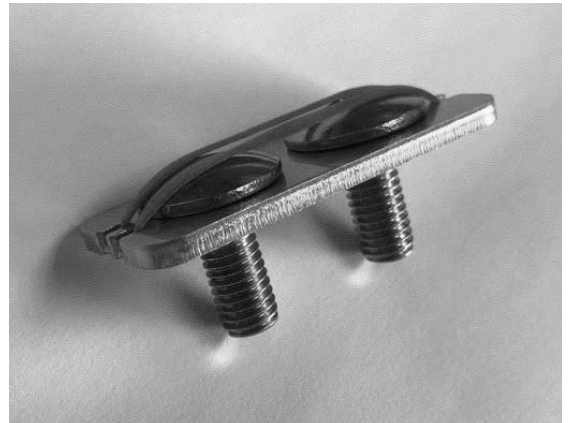
ITEM NO.	PART NUMBER	DESCRIPTION	QTY
1	165-TUNDRA-VERT-MNT-BRKT-01	VERTICAL MOUNT BRACKET	6
2	TT-NUT-PLT-01	NUT PLATE	6
3	HEX-M8x20	M8x20 HEX BOLT S/S	12
4	FW-M8	M8x16mm FLAT WASHER S/S - DIN 125	24
5	NY-M8	M8 NYLOC NUT S/S	24
6	NCAP-M8	NUT CAP-08mm	24
7	ELAS-BAND-14	ELASTIC BAND NO.6	6
8	SQN-M8x30	M8x30 CUP SQ BOLT S/S	12

ITEM NO.	PART NUMBER	DESCRIPTION	QTY
1	165-TUNDRA-VERT-MN T-BRKT-01	VERTICAL MOUNT BRACKET	6
2	TT-NUT-PLT-01	NUT PLATE	6
3	HEX-M8x20	M8x20 HEX BOLT S/S	12
4	FW-M8	M8x16mm FLAT WASHER S/S - DIN 125	24
5	NY-M8	M8 NYLOC NUT S/S	24
6	NCAP-M8	NUT CAP-08mm	24
7	ELAS-BAND-14	ELASTIC BAND NO.6	6
8	SQN-M8x30	M8x30 CUP SQ BOLT S/S	12

Mounting Bracket Kit – Installation Part 1

Side Mounting Brackets

The side mounting brackets are installed in two parts. Firstly, put together the nut plate assembly. This can be done by inserting two cup squares into the nut plate (TT-NUT-PLT-01). With the cup square inserted secure it in place using the provided elastic by stretching it over the back of the plate. The next step is to slide the nut plate assemblies into the rail system on the Tundra. Place one nut plate assembly in the front of the load bin, one in the middle and one in the rear. Repeat this on the other side of the bin with the other rail.



NUT PLATE ASSEMBLY

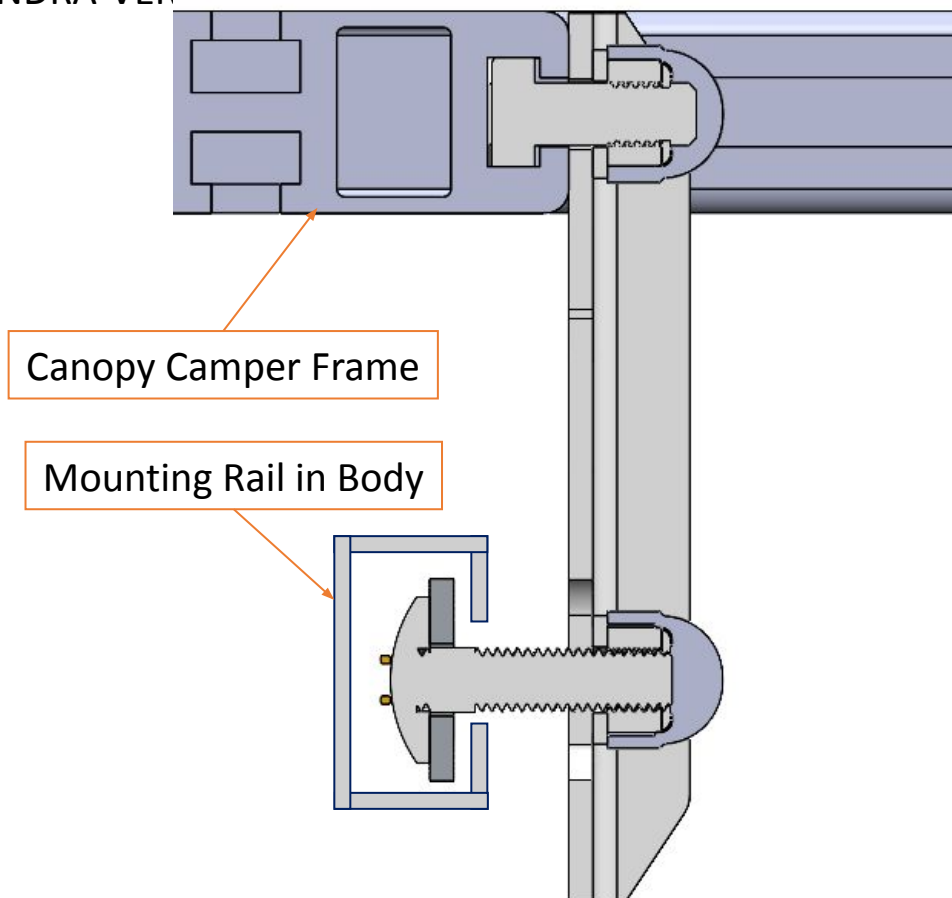


Mounting Bracket Kit – Installation Part 2

Side Mounting Brackets

To install the second part of the side mount brackets (165-TUNDRA-VERT-MNT-BRKT-01) firstly slide 2 off M8 bolts into the Canopy Camper Frame per bracket set, therefore 6 off bolts will need to slid into the frame per side.

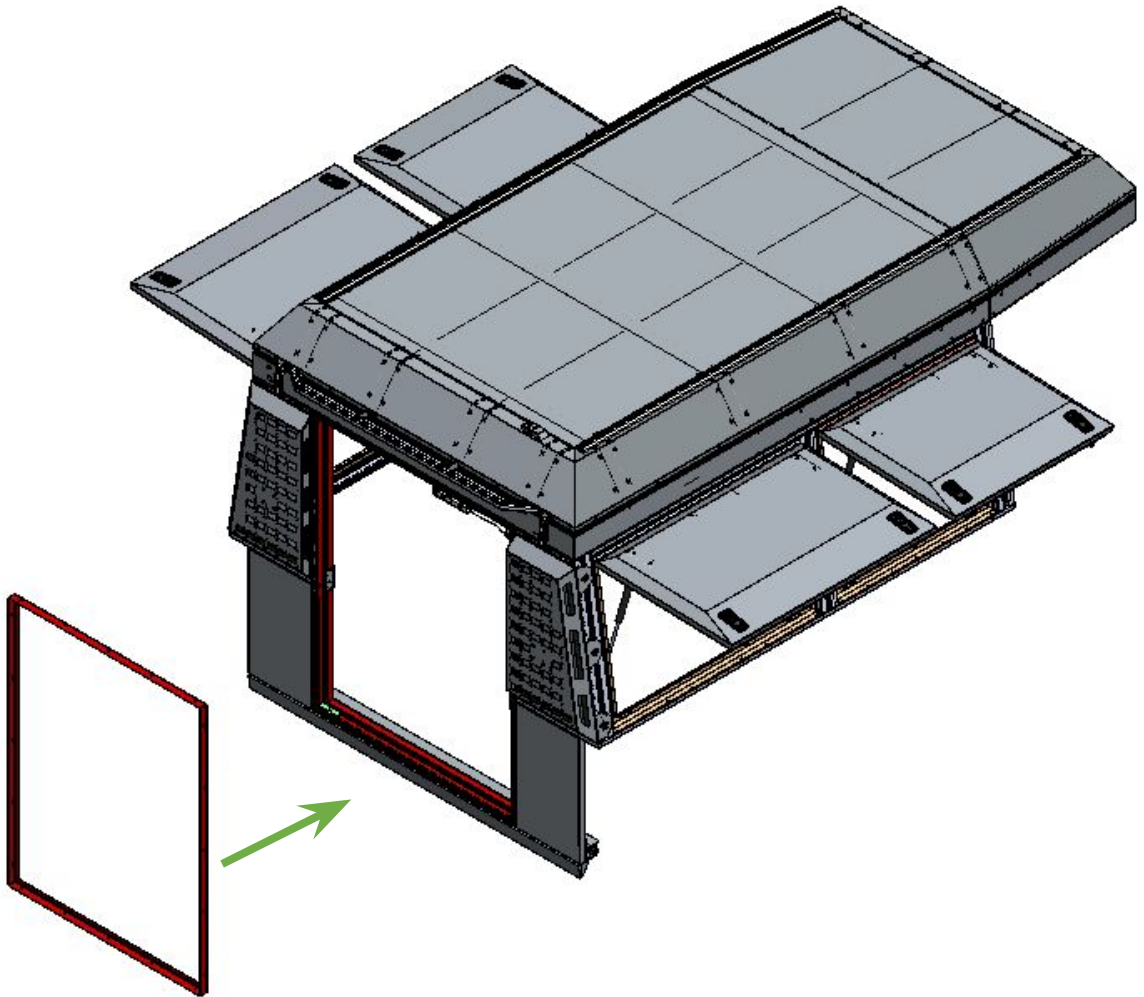
Align these M8 bolts with the nut plate assemblies, and slide the 165-TUNDRA-VERT-MNT-BRKT-01 over the bolts as shown in the image below. Add washers and nylock nuts to both the bolts in the Canopy Camper frame and the cup square in the mounting rail, effectively pulling the 165-TUNDRA-VERT-MNT-BRKT-01 into the frame.



Fasten all the nylock nuts down until they are tight and install the plastic nut caps to finish off the installation of the mounting brackets.

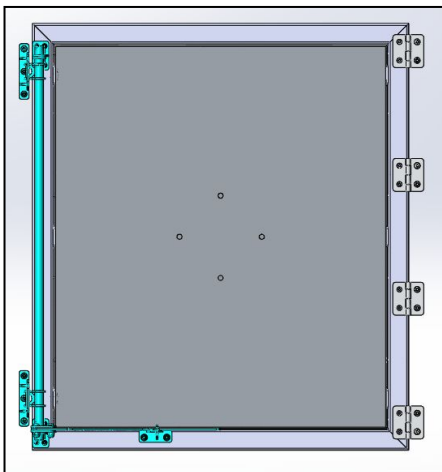
Rear Door Rebate Installation

Insert the Rear Door Rebate Frame into the door frame opening, ensure that mounting holes all align. Using the supplied hardware, rivet the frame in place along the LHS, RHS and upper and lower mounting interfaces. See images below:



Rear Door Installation

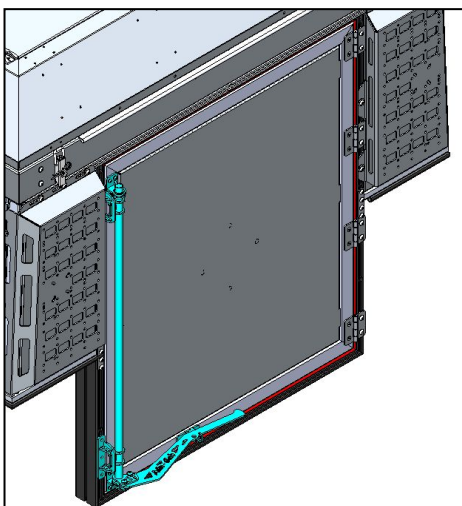
The Rear Door Assembly is supplied fully assembled with its hinges, and the locking mechanism, as shown below:



Insert the assembled door into the rear door opening. Fasten the four (4) hinges into the nut slot on the RHS door frame first, using the supplied hardware.

Align the two (2) locking mechanism Hook Brackets with the upper and lower lock tabs and fasten into the nut slot on the LHS frame, using the supplied hardware.

Installed Rear Door shown below (rear Filler Assembly removed for clarity):



NB! The Canopy Camper must rest solely on the mounting brackets and no load is allowed on the load bin. Once this is completed, the Canopy Camper has been installed successfully.

Installation Completed

Your installation of the Tundra Alu-Cabin is now completed.

Congratulations!

Please remember that any areas where there is Sikaflex might still be sticky and should cure for a minimum of 24 hours before going on any overlanding trip.

From us at the Alu-Cab Team:

Happy Camping!